

PARTS LIST INDEX

ROW UNIT

15" Seed Opener Disc Blade/Bearing Assembly And Scrapers	P13
Air Compressor Package Option, Dual Solenoid Assembly, Tubing And Fittings.....	P10
Coulter Mounted Residue Wheels	P36
Covering Discs/Single Press Wheel	P16
Drag Closing Attachment.....	P19
Frame Mounted Coulter W/Residue Wheels.....	P38
Gauge Wheels	P14
Granular Chemical Banding Options	P27
Granular Chemical Hopper And Hopper Panel Extension	P24
Granular Chemical Meter And Meter Drive	P26
Hopper Support And Meter Drive	P20
Pneumatic Down Pressure Package Option And Pull Row Unit, Air Clutch Package.....	P6
Parallel Arms, Mounting Support Plate And Quick Adjustable Down Force Springs Option.....	P12
Pneumatic Down Pressure Control Console, Sending Unit And Harnesses	P8
Row Unit Mounted Bed Leveler	P30
Row Unit Mounted Disc Furrower	P32
Row Unit Mounted No Till Coulter	P29
Row Unit Mounted Residue Wheel	P34
Seed Hopper And Lid	P21
Seed Meter	P22
Shank Assembly, Seed Tube And Depth Adjustment.....	P4
Spring Tooth Incorporator	P28
"V" Closing Wheels	P18

EDGEVAC® SYSTEM

Digital Vacuum Gauge, Analog Vacuum Gauge And Vacuum Fan Assembly.....	P44
Manifolds And Distribution Hoses	P50
Optional Flow Control Needle Valve Kit	P48
PTO Pump Drive And Oil Cooler Option.....	P52
Vacuum Fan Hydraulic Components.....	P46
Vacuum Fan Hydraulic Motor Assembly	P48
Vacuum Fan Motor Valve Block Assembly (Located Below Vacuum Fan Motor Assembly)	P49

(Continued On Next Page)

PARTS LIST INDEX

BASE MACHINE

2-Point Hitch Option.....	P56
Axle Assembly	P72
Bolt-On Wheel Module/Transport Latch Catch.....	P82
Center Frame.....	P64
Center Pivot.....	P70
Contact Wheel And Drive Shaft(s).....	P76
Cylinders.....	P96
Electrical Components.....	P114
Ground Drive Wheel	P79
Hose Take-Up	P62
Hydraulic Drive Package Option	P66
Hydraulic Hoses And Fittings.....	P110
Inner Hitch	P58
Inner Module Drive	P83
Outer Hitch.....	P54
Point Row Clutch	P84
Row Marker Assemblies	P92
Row Marker Spindle/Hub/Blade.....	P91
Safety Chain	P54
Seed Rate Transmission And Row Unit Drill Shafts.....	P80
Transport Wheels/Rock Guards.....	P74
Two-Speed Point Row Clutch.....	P86
Two-Speed Point Row Clutch Wheel Module Extension.....	P88
Valve And Junction Blocks.....	P104
Valve Box	P116
Valves (Solenoid, Flow Control, Pressure Relief, Check, Proportional).....	P108
Wing Frame	P68

ELECTRONIC SEED MONITOR

KINZE Cobalt™ Display.....	P120
KINZE Vision® Display	P122
KPM III Electronic Seed Monitor	P118
Planter Monitor Module (PMM).....	P124

INTERPLANT® SYSTEM

Interplant® Push Row Unit	P40
Interplant® Push Row Unit, Air Clutch Package.....	P42
Interplant® Push Row Unit Drive	P126

FERTILIZER

Dry Fertilizer	P140
Fertilizer Openers, Mounts And Attachments.....	P128
Liquid Fertilizer	P146
Rear Trailer Hitch	P162

Decals, Paint And Miscellaneous.....	P164
--------------------------------------	------

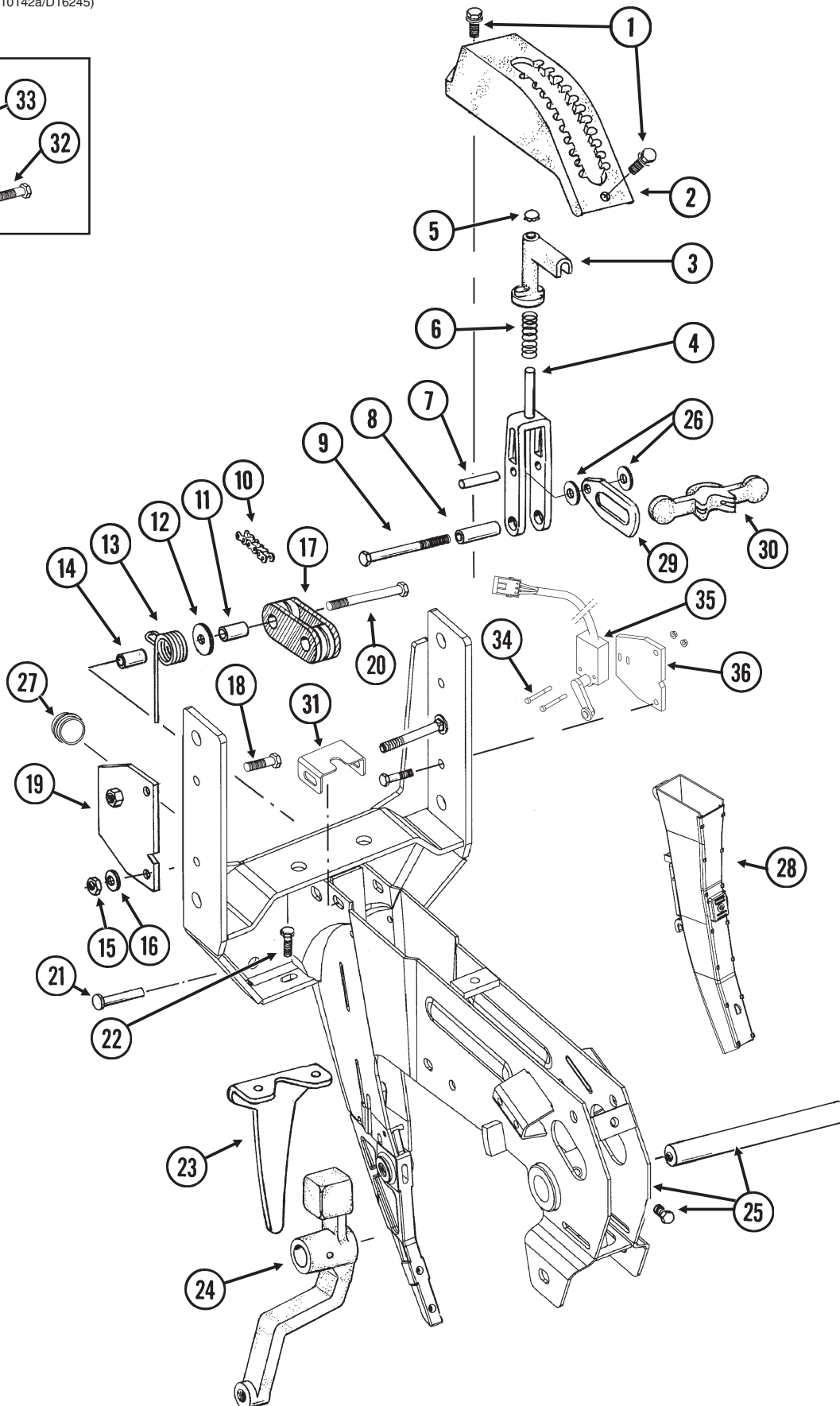
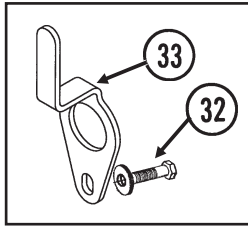
Numerical Index.....	P169
----------------------	------

PARTS LIST INDEX

This page left blank intentionally.

SHANK ASSEMBLY, SEED TUBE AND DEPTH ADJUSTMENT

(D17014/RU166/A10142a/D16245)



SHANK ASSEMBLY, SEED TUBE AND DEPTH ADJUSTMENT

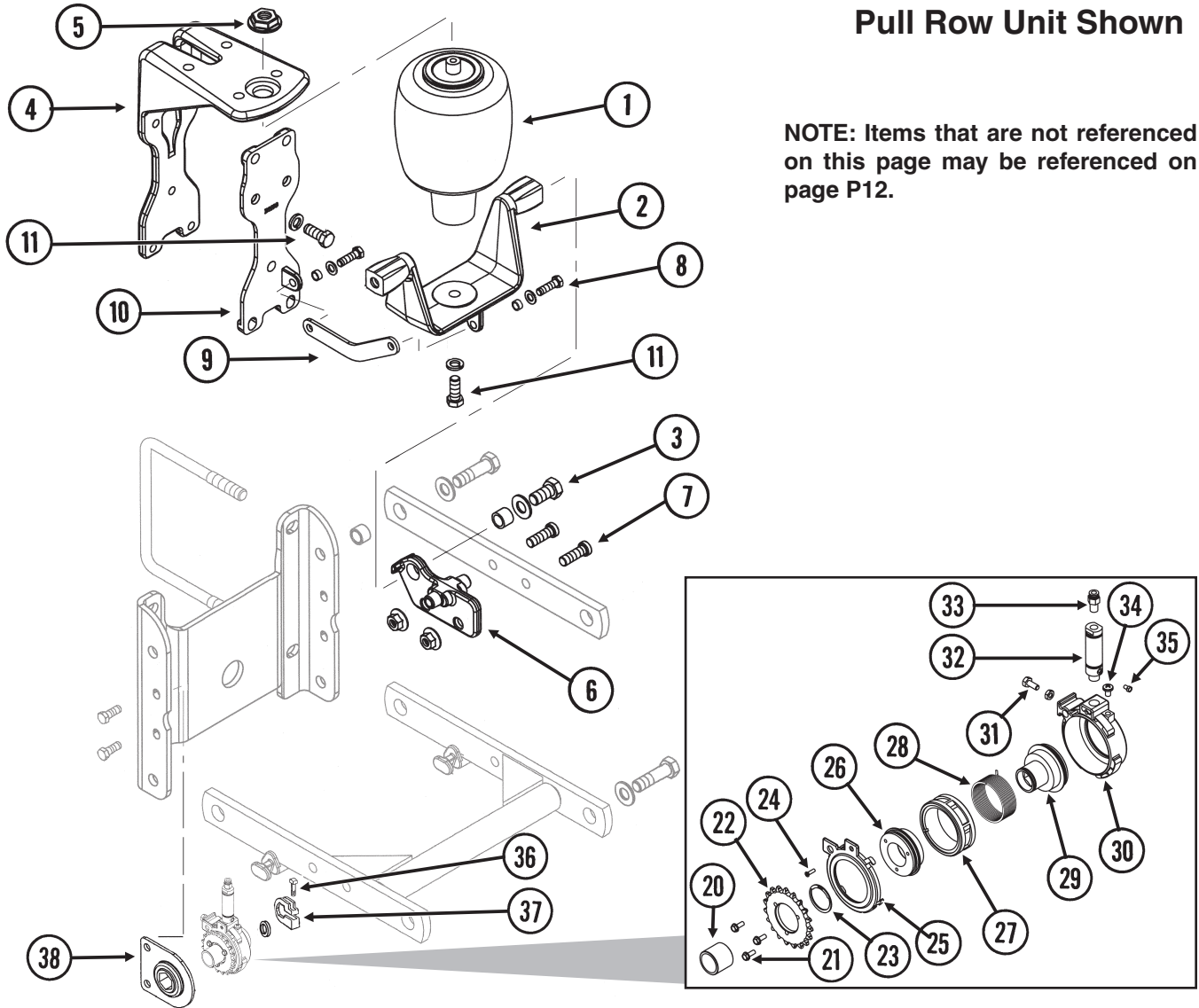
ITEM	PART NO.	QTY. (Per Row)	DESCRIPTION
1.	G11015	2	Hex Washer Head Cap Screw, 3/8"-16 x 1 1/4"
2.	GB0274	1	Cover, Depth Adjustment
3.	GB0266	1	Handle, Depth Adjustment
4.	GB0267	1	Lever, Depth Adjustment
5.	GD3612	1	Cap Plug
6.	GD10993	1	Spring
7.	GD13361	1	Pin, 3/8" x 1 2/3"
8.	GD11259	1	Sleeve, 3/8" I.D. x 5/8" O.D. x 1 25/32" Long
9.	G11008	1	Hex Head Cap Screw, 3/8"-24 x 2 1/2", Grade 8
	G11007	1	Lock Nut, 3/8"-24, Grade C
10.	G3303-108	1	Chain, No. 41, 108 Pitch Including Connector Link
	G3303-16	1	Chain, No. 41, 16 Pitch Including Connector Link (Used W/Row Unit Extension Brackets)
	GR0196	1	Connector Link, No. 41
11.	GD1026	1	Sleeve, 1 3/16" Long
12.	G10201	1	Special Washer, 3/8" x 1 1/2" O.D.
13.	GD1065	1	Idler Spring
14.	GD7318	1	Sleeve, 1" Long
15.	G10108	1	Lock Nut, 3/8"-16
16.	G10210	1	Washer, 3/8" USS
17.	GD11962	1	Idler
18.	G10003	3	Hex Head Cap Screw, 3/8"-16 x 1 1/2"
	G10108	3	Lock Nut, 3/8"-16
19.	GD10867	2	Stop
20.	G10326	1	Hex Head Cap Screw, 3/8"-16 x 3 3/4"
21.	G10551	1	Clevis Pin, 1/4" x 2 1/2"
	G10669	1	Hair Pin Clip, No. 22
22.	G10312	2	Carriage Bolt, 5/16"-18 x 3/4"
	G10620	2	Serrated Flange Nut, 5/16"-18
23.	GD1033	1	Shield
24.		-	Wheel Arm, See "Gauge Wheels", Pages P14 And P15
25.	GA10157	1	Shank W/Gauge Wheel Pivot Spindle And Set Screw
	GD11001	-	Spindle
	G10438	-	Hex Head Cap Screw, 1/2"-13 x 3/4"
26.	G10207	2	Washer, 7/8" O.D. x 1 13/32" I.D. x .134" (If Applicable)
27.	GD11845	1	Dust Cap
28.			See "Planter Monitor Module (PMM)", Pages P124 And P125
29.	GB0285	1	Collar, Depth Adjustment
30.	GB0265	1	Pivot Link, Depth Adjustment
31.	GD16245	-	Sun Shade (Rubber)
32.	G10047	1	Hex Head Cap Screw, 3/8"-16 x 1 3/4"
	G10203	2-3	Washer, 3/8" SAE
	G10108	1	Lock Nut, 3/8"-16
33.	GD17014	1	Hose Guide
34.	G11298	2	Hex Slotted Head Cap Screw, #10-32 x 1"
	G11284	2	Serrated Flange Nut, #10-32
35.	GA13580	1	Limit Switch W/Cable
36.	GD19317	1	Implement Switch Bracket
A.	GA13593	-	Implement Switch Assembly, (Items 34-36)

PNEUMATIC DOWN PRESSURE PACKAGE OPTION AND PULL ROW UNIT, AIR CLUTCH PACKAGE OPTION

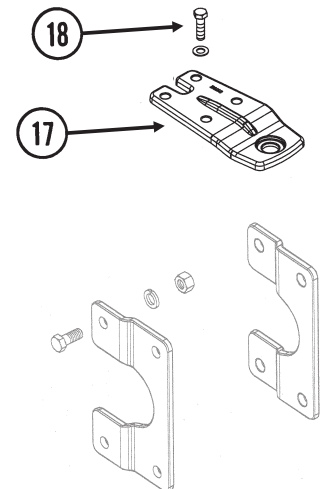
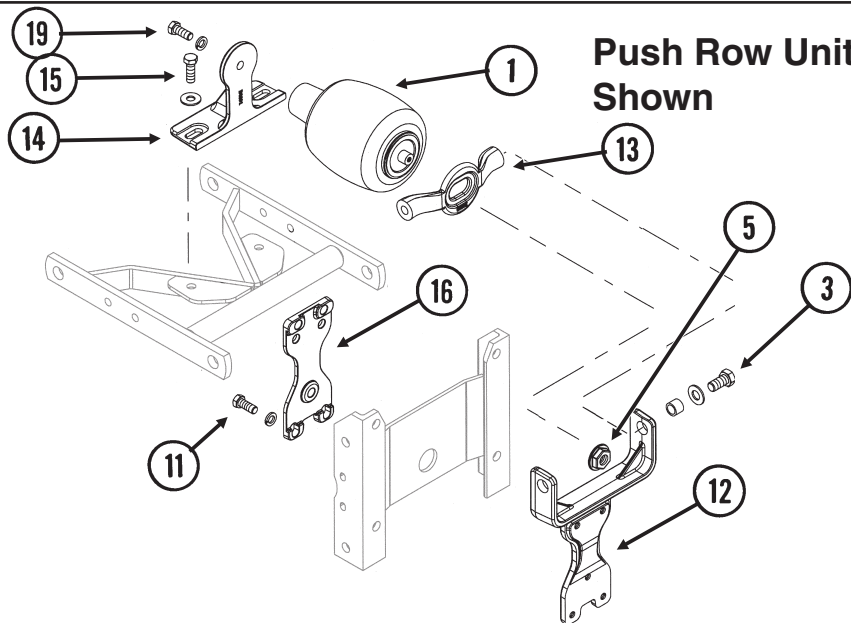
(RU157c/RU159a/RU157d/A12405)

Pull Row Unit Shown

NOTE: Items that are not referenced on this page may be referenced on page P12.



Push Row Unit Shown

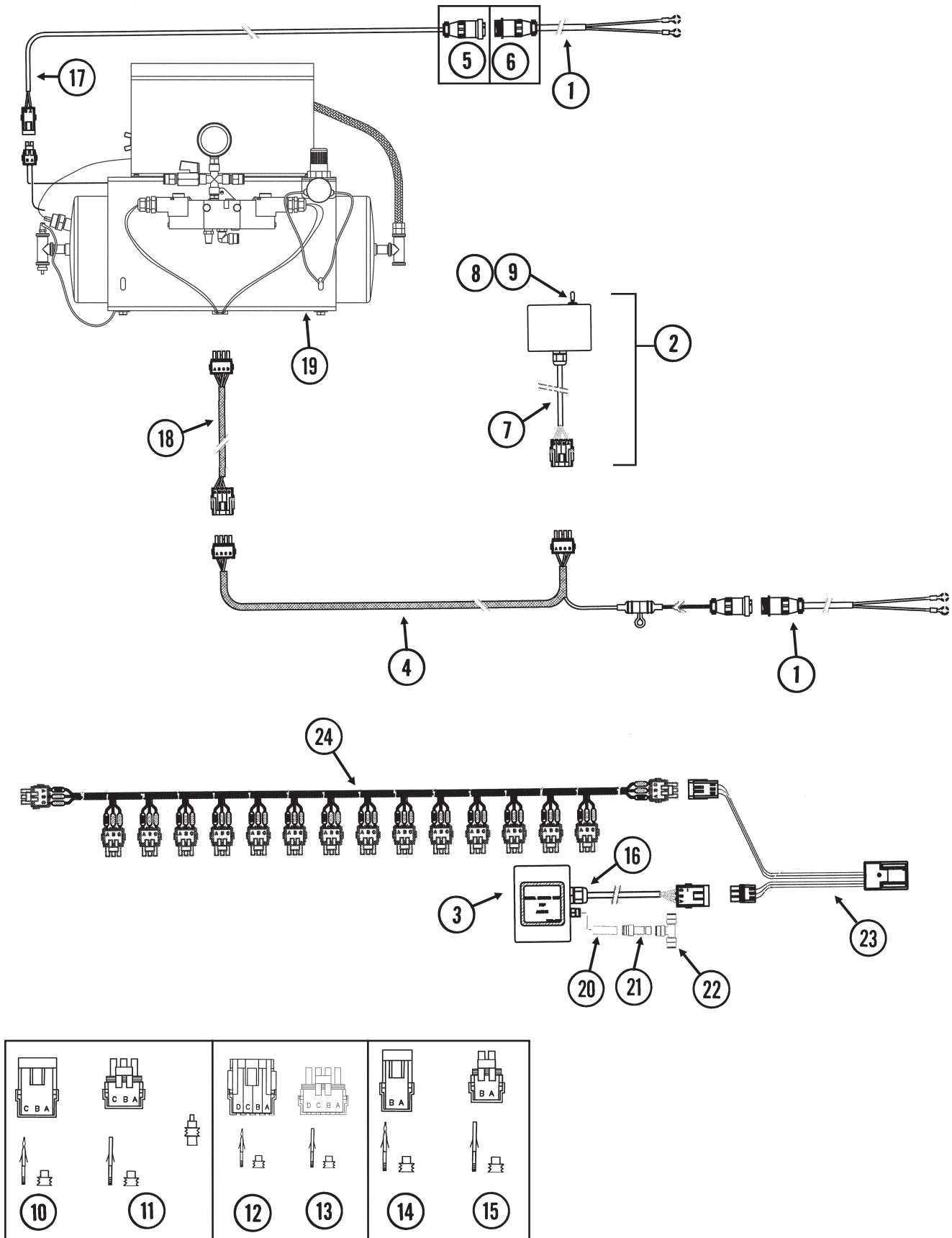


PNEUMATIC DOWN PRESSURE PACKAGE OPTION AND PULL ROW UNIT, AIR CLUTCH PACKAGE OPTION

ITEM	PART NO.	QTY. (Per Row)	DESCRIPTION
1.	GA11982	1	Air Spring Assembly
2.	GB0394	1	Saddle
3.	G11018	2	Hex Head Cap Screw, 5/8"-18 x 1 1/4"
	GD7805	2	Special Washer, 5/8", Hardened
	GD3180-30	2	Sleeve, 7/8" O.D. x 5/8" I.D. x 2 1/32"
4.	GB0396	1	Head Mount
5.	GB0397	1	Shoulder Nut, 3/4"-16
6.	GB0395	2	Bracket
7.	G11220	4	Hex Socket Cap Screw, 1/2"-13 x 1 1/2"
	G10071	4	Serrated Flange Nut, 1/2"-13
8.	G10004	2	Hex Head Cap Screw, 3/8"-16 x 1 1/4"
	G10203	2	Washer, 3/8" SAE
	GD11963-04	2	Spacer, 1/4"
	G10108	2	Lock Nut, 3/8"-16
9.	GD17794	1	Link
10.	GB0393	1	Plate
11.	G10037	7	Hex Head Cap Screw, 1/2"-13 x 1 1/4"
	G10206	2	Washer, 1/2" SAE (Lower Two Holes Only)
	G10228	7	Lock Washer, 1/2"
12.	GB0390	1	Yoke Mount
13.	GB0392	1	Yoke
14.	GB0391	1	Mount
15.	G10017	2	Hex Head Cap Screw, 1/2"-13 x 1 1/2"
	G10216	2	Washer, 1/2" USS
	G10228	2	Lock Washer, 1/2"
	G10102	2	Hex Nut, 1/2"-13
16.	GB0389	1	Plate
17.	GB0398	1	Extension
18.	G10039	4	Hex Head Cap Screw, 1/2"-13 x 1 3/4"
	G10206	4	Washer, 1/2" SAE
	G10111	4	Lock Nut, 1/2"-13
19.	G10037	1	Hex Head Cap Screw, 1/2"-13 x 1 1/4"
	G10228	1	Lock Washer, 1/2"
20.	GD18891	1	Spacer, 1 1/4" O.D. x 1"
21.	G10020	1	Hex Head Cap Screw, 1/4"-20 x 5/8"
22.	GR1812	1	Sprocket, 19 Tooth
23.	G11295	1	Retaining Ring
24.	G11243	1	Slotted Flat Head Machine Screw, No. 8-32 x 1/2", Stainless Steel
25.	GR1894	1	Air Housing Cover
26.	GR1815	1	Sprocket Hub
27.	GR1818	1	Ratchet Gear
28.	GR1813	1	Clutch Spring
29.	GR1830	1	Hex Bushing
30.	GR1895	1	Air Clutch Housing
31.	G10023	3	Hex Head Cap Screw, 1/4"-20 x 3/4"
	G10103	3	Hex Nut, 1/4"-20
32.	GR1896	1	Air Cylinder
33.	GR1819	1	Push Connect, 1/8" NPT Male x 1/4"
34.	G11296	1	Pan Head Machine Screw, 1/4"-20 x 3/4" x 3/4"
35.	GR1898	1	Filter
36.	G10130	-	Square Head Machine Bolt, 5/16"-18 x 1 3/4"
	G10923	-	Flange Nut, 5/16"-18, No Serration
37.	GD11045	-	Lock Clamp
38.	GA1720	1	Bearing/Sprocket, 7/8" Hex Bore
A.	GA12405	-	Air Clutch Assembly, (Items 20-35)

PNEUMATIC DOWN PRESSURE CONTROL CONSOLE, SENDING UNIT AND HARNESSES

(PNE30b/MTR27a/ELC27b/MTR45/MTR27/PNE30c)

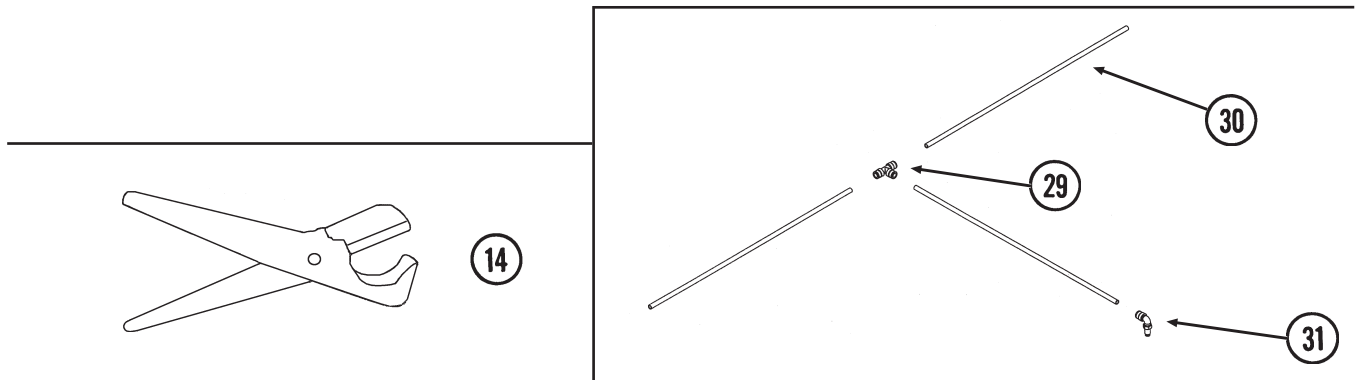
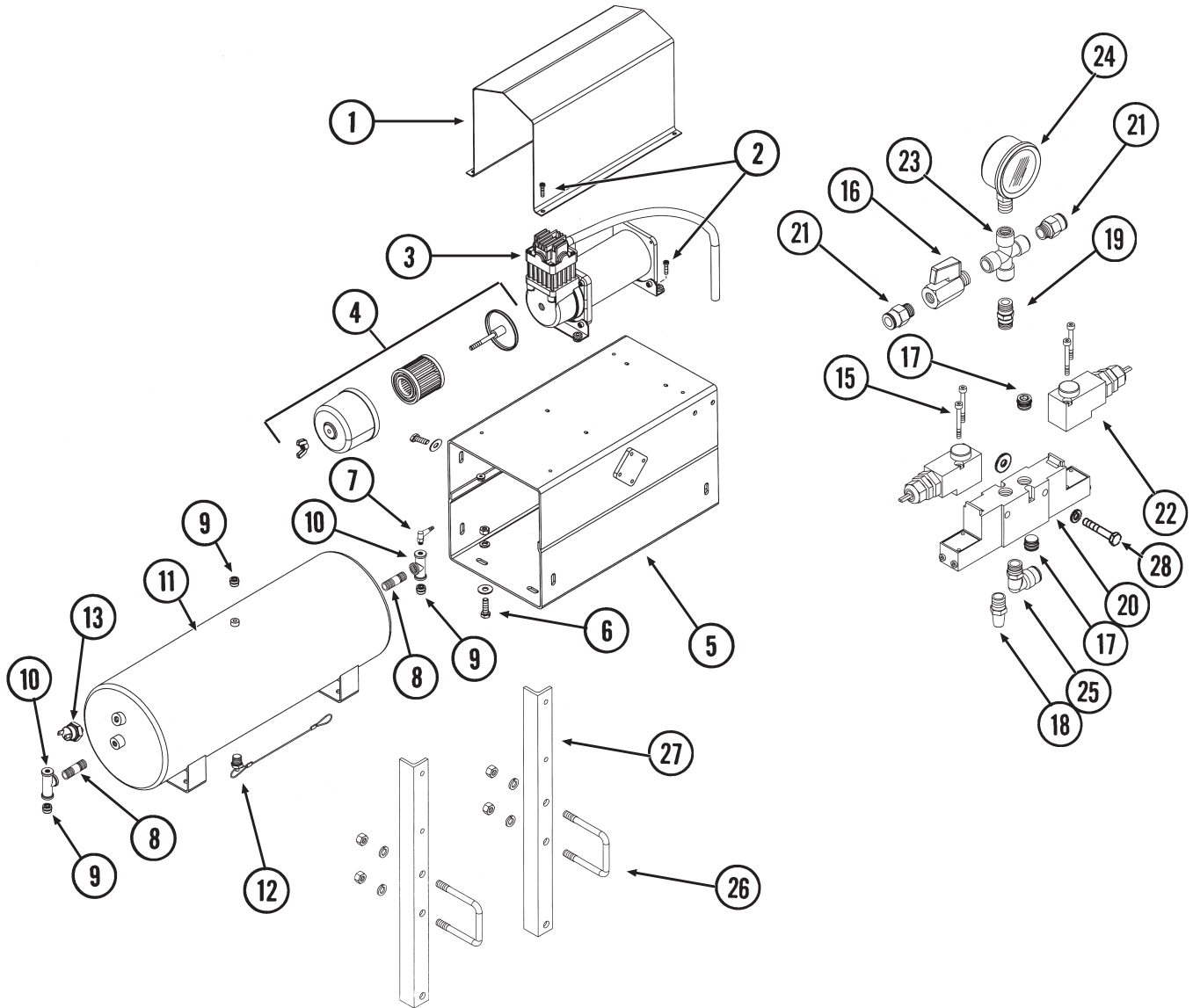


PNEUMATIC DOWN PRESSURE CONTROL CONSOLE, SENDING UNIT AND HARNESSSES

ITEM	PART NO.	QTY.	DESCRIPTION
1.	GA7856	2	Power Lead Adapter
2.	GA12813	1	Control Box Assembly
3.	GA12815	1	Sending Unit
4.	GA12814	1	Wiring Harness W/Fuse Holder And Fuse, 206"
	GD14258	-	Fuse Holder
	GD14660	-	Fuse, 2 Amp Delay Action
5.	G1K268	-	Console Cable Connector Kit, Includes: (1) 3-Pin Connector, (1) Cable Clamp, (1) Lock Ring, (3) Female Terminal Pins
6.	G1K267	-	Console Cable Connector Kit, Includes: (1) 3-Pin Connector, (1) Cable Clamp, (3) Male Terminal Pins
7.	GA9964	1	Strain Relief
8.	GR1363	1	Hex Face Nut, 1 ⁵ / ₃₂ "-32
	GR1364	1	Internal Tooth Lock Washer, 1 ⁵ / ₃₂ "
9.	GA6978	1	Switch, 3 Position Toggle, Momentary On-Off-Momentary On
10.	G1K248	-	3-Pin Female Connector Kit (Black), Includes: (3) 3-Pin Female Housings, (9) Pin Contacts, (9) Seals
11.	G1K252	-	3-Pin Male Connector Kit (Black), Includes: (3) 3-Pin Male Housings, (9) Socket Contacts, (9) Seals
12.	GA8328	-	4-Pin Female Connector Kit, Includes: (1) 4-Pin Female Housing, (4) Pin Contacts, (4) Seals
13.	GA8329	-	4-Pin Male Connector Kit, Includes: (1) 4-Pin Male Housing, (4) Socket Contacts, (4) Seals
14.	G1K321	-	2-Pin Female Connector Kit (Black), Includes: (3) 2-Pin Female Housings, (6) Pin Contacts, (6) Seals
15.	G1K320	-	2-Pin Male Connector Kit (Black), Includes: (3) 2-Pin Male Housings, (6) Socket Contacts, (6) Seals
16.	GA9964	2	Strain Relief
17.	GA12684	1	Wiring Harness W/Fuse Holder And Fuse, 60'
	GD14258	-	Fuse Holder
	GD18275	-	Fuse, 20 Amp
18.	GA12858	1	Wiring Harness, 60'
19.			See "Air Compressor Package Option, Dual Solenoid Assembly, Tubing And Fittings", Pages P10 And P11
20.	GD17151-06	1	Nylon Tubing, 1/4" O.D. x 1 1/2'
21.	GD18796	1	Reducer, 3/8" To 1/4"
22.	GD18010	1	Tee, 3/8" Tube Union
23.	GA12812	1	Hall Effect Adapter
24.			See "Planter Monitor Module (PMM)", Pages P124 And P125

AIR COMPRESSOR PACKAGE OPTION, DUAL SOLENOID ASSEMBLY, TUBING AND FITTINGS

(PNE06a/PNE02/PNE05/A13169/PNE09/PNE08)

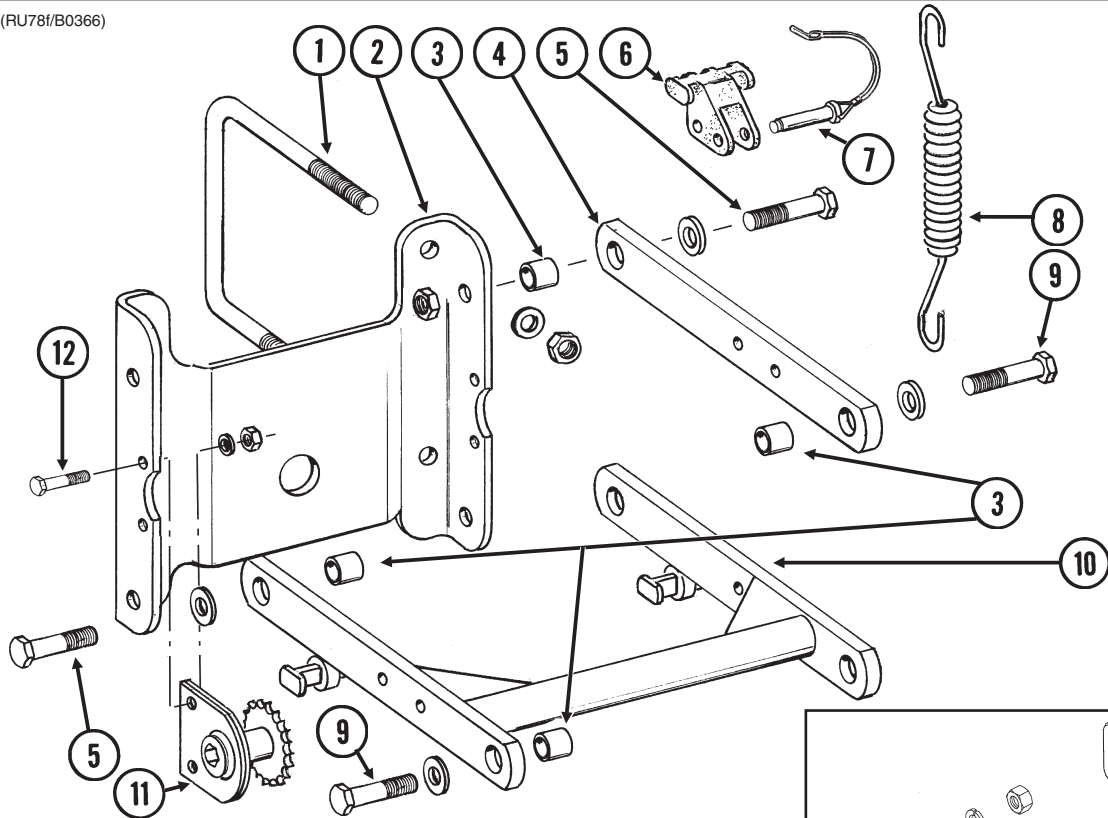


AIR COMPRESSOR PACKAGE OPTION, DUAL SOLENOID ASSEMBLY, TUBING AND FITTINGS

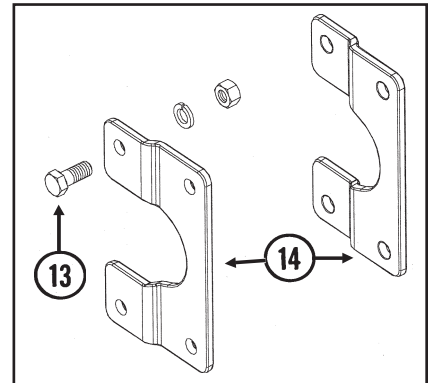
ITEM	PART NO.	QTY.	DESCRIPTION
1.	GD18112	1	Cover
2.	G11066	8	Phillips Pan Head Machine Screw, No. 10-24 x 3/4", Stainless Steel
	G10992	8	Serrated Flange Nut, No. 10-24
3.	GA12102	1	Air Compressor
4.	GA12404	1	Filter Assembly
	GR1809	-	Filter
5.	GA12358	1	Mount
6.	G10019	4	Hex Head Cap Screw, 5/16"-18 x 1"
	G10219	4	Washer, 5/16" USS
	G10232	4	Lock Washer, 5/16"
	G10106	4	Hex Nut, 5/16"-18
7.	GA13512	1	Valve Stem, 1/4" NPT
8.	GD19238	2	Nipple, 1/4" NPT
9.	GD17156	3	Plug, 1/4" NPT
10.	GD19237	2	Tee, 1/4" NPT
11.	GA11988	1	Tank, 3 Gallon
12.	GA11991	1	Drain, 1/4" NPT
13.	GR1778	1	Pressure Switch
14.	GA13169	1	Tube Cutter W/Blade
	GR1843	-	Blade
15.	G11247	4	Slotted Pan Head Machine Screw, M4-0.7 x 8
16.	GA11992	1	Shutoff Valve, 1/4" NPT
17.	GD17156	2	Plug, 1/4" NPT
18.	GA11997	1	Breather, 1/4" NPT
19.	GD17154	1	Connector, 1/4" Male
20.	GA11993	1	Block
21.	GD17141	3	Connector, 1/4" Male
22.	GA11994	2	Solenoid
23.	GD18078	1	Female Cross, 1/4" NPT
24.	GA12104	1	Pressure Gauge, 1/4" NPT
25.	GD17143	1	Swivel Elbow, 1/4" NPT x 3/8"
26.	GD4743	2	U-Bolt, 3" x 3" x 1/2"-13
	G10228	4	Lock Washer, 1/2"
	G10102	4	Hex Nut, 1/2"-13
27.	GD18119	2	Compressor Mount
28.	G10040	2	Hex Head Cap Screw, 1/4"-20 x 1 3/4"
	G10227	2	Lock Washer, 1/4"
	G10209	2	Washer, 1/4" USS
29.	GD18010	-	Tee, 3/8" Tube Union, Pull Row Unit (Pneumatic Down Pressure)
	GD18274	-	Tee, 3/8" x 1/8" NPT Extended, Push Row Unit (Pneumatic Down Pressure)
	GD18015	-	Tee, 1/4" Press On, Pull/Push Row Units (Air Clutch)
30.	GD17150-02	-	Nylon Tubing, 3/8" O.D. x 44', 8 Row Pull Row Units (Pneumatic Down Pressure)
	GD17150-03	-	Nylon Tubing, 3/8" O.D. x 64', 12 Row Pull Row Units (Pneumatic Down Pressure)
	GD17150-04	-	Nylon Tubing, 3/8" O.D. x 86', 16 Row Pull Row Units (Pneumatic Down Pressure)
	GD17150-08	-	Nylon Tubing, 3/8" O.D. x 60', 11 Row Push Row Units (Pneumatic Down Pressure)
	GD17150-09	-	Nylon Tubing, 3/8" O.D. x 82', 15 Row Push Row Units (Pneumatic Down Pressure)
	GD17150-12	-	Nylon Tubing, 3/8" O.D. x 5', Even-Row Push Row Unit (Pneumatic Down Pressure)
	GD17151-01	-	Nylon Tubing, 1/4" O.D. x 52', 12 Row Pull/Push Row Units (Air Clutch)
	GD17151-02	-	Nylon Tubing, 1/4" O.D. x 70', 16 Row Pull Row Units (Air Clutch)
	GD17151-03	-	Nylon Tubing, 1/4" O.D. x 37', 11 Row Push Row Units (Air Clutch)
31.	GD18011	-	Elbow, 3/8" x 1/8" NPT Extended, Pull Row Unit (Pneumatic Down Pressure)
A.	GA12626	-	Air Compressor Assembly (Items 1-14)
B.	GA11995	-	Dual Solenoid Assembly (Items 15-25)

PARALLEL ARMS, MOUNTING SUPPORT PLATE AND QUICK ADJUSTABLE DOWN FORCE SPRINGS OPTION

RUB021/RUB022(RU78f/B0366)

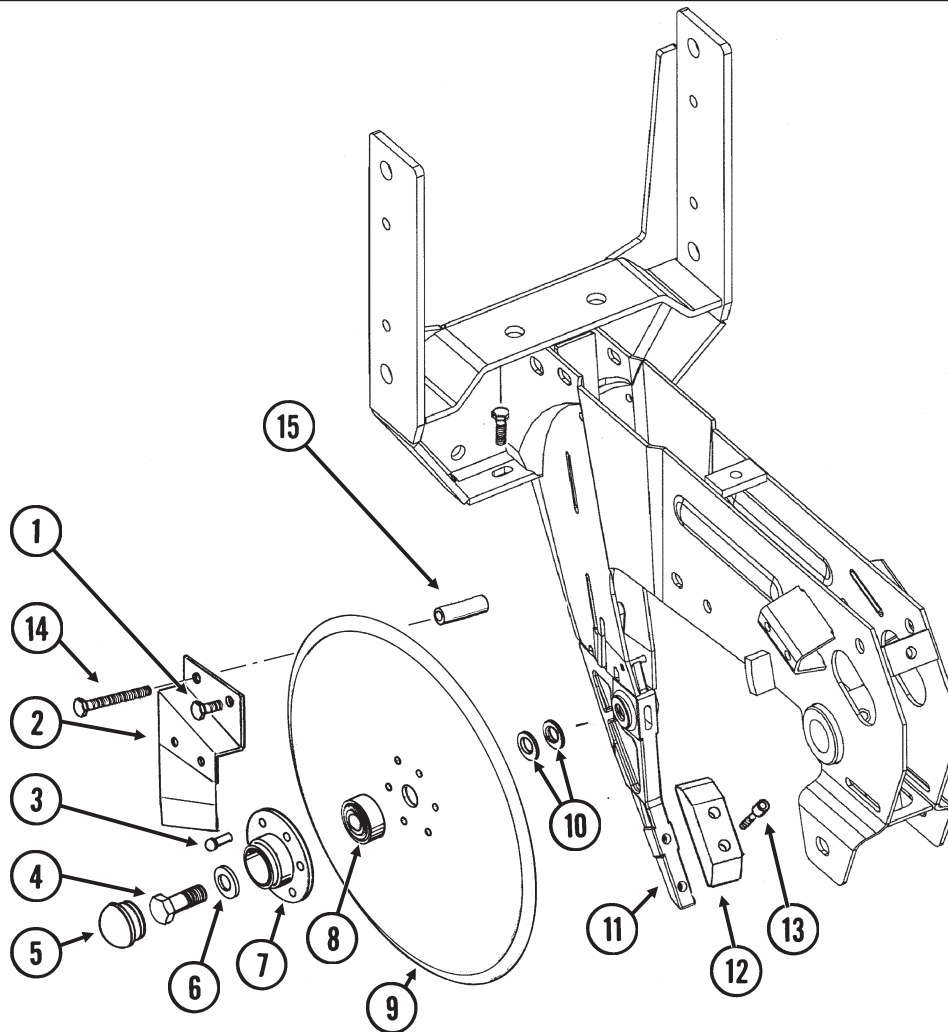


ITEM	PART NO.	QTY. (Per Row)	DESCRIPTION
1.	GD1113 G10230 G10104	2 4 4	U-Bolt, 5" x 7" x 5/8"-11 Lock Washer, 5/8" Hex Nut, 5/8"-11
2.	GD10036	1	Mounting Support Plate
3.	GB0218	4	Bushing, 2 1/32" I.D. x 7/8" O.D. x 1 9/32" Long
4.	GD11422	2	Upper Parallel Arm
5.	G10732 GD7805 G10412	4 4 4	Hex Head Cap Screw, 5/8"-18 x 2" Special Washer, 5/8", Hardened Lock Nut, 5/8"-18
6.	GB0186	2	Spring Anchor
7.	GD14217	2	Tab Lock Pin, 7/16" x 1 1/2"
8.	GD8249	2-4	Spring
9.		-	See "Hopper Support And Meter Drive", Page P20t
10.	GA5651	1	Lower Parallel Arm
11.	GA1720	1	Bearing/Sprocket, 7/8" Hex Bore
12.	G10001 G10229 G10101	2 2 2	Hex Head Cap Screw, 3/8"-16 x 1" Lock Washer, 3/8" Hex Nut, 3/8"-16
13.	G10007 G10230 G10104	4 4 4	Hex Head Cap Screw, 5/8"-11 x 1 1/2" Lock Washer, 5/8" Hex Nut, 5/8"-11
14.	GB0366	2	Extension Bracket
A.	G6325X	-	U-Bolt Package For 5" x 7" Toolbar, Includes: (2) GD1113, (4) G10230, (4) G10104



15" SEED OPENER DISC BLADE/BEARING ASSEMBLY AND SCRAPERS

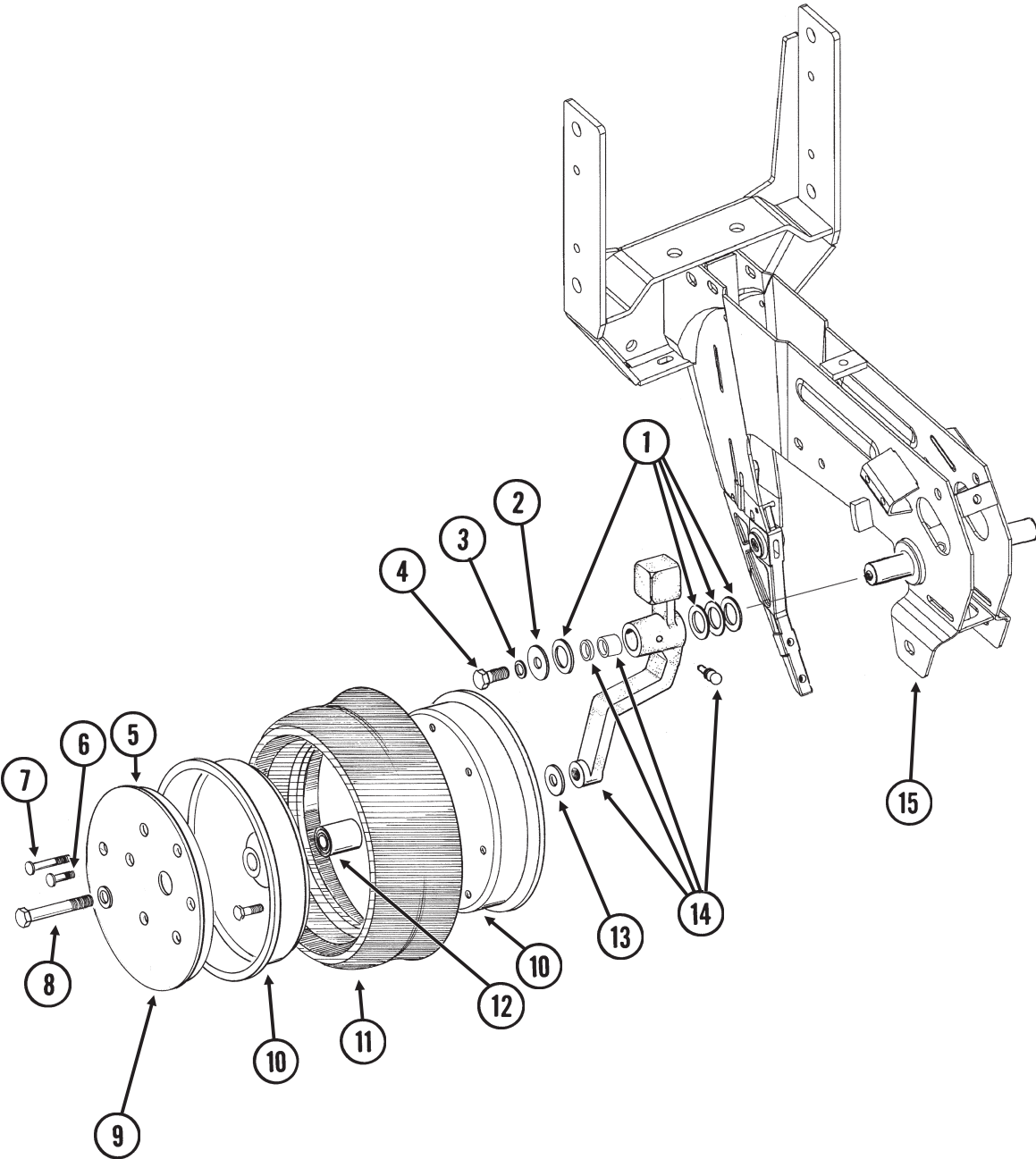
(RU139)



ITEM	PART NO.	QTY. (Per Row)	DESCRIPTION
1.	G10328	2	Hex Head Cap Screw, 3/8"-16 x 5/8"
	G10622	2	Serrated Flange Nut, 3/8"-16
2.	GA2012R	1	Disc Scraper, R.H.
	GA2012L	-	Disc Scraper, L.H. (Shown)
3.	G10427	12	Rivet, 1/4" x 1/2"
4.	GD11017	1	Special Hex Head Cap Screw, 5/8"-11 x 1 1/2", L.H. Threads
	G10007	1	Hex Head Cap Screw, 5/8"-11 x 1 1/2"
5.	GD11845	2	Dust Cap
6.	G10204	2	Special Machine Bushing, 5/8" x 1" O.D.
7.	GD10473	2	Bearing Housing
8.	GA2014	2	Bearing
9.	GD11306	2	Disc Blade, 3.5 mm x 15"
10.	G10213	-	Machine Bushing, 5/8" (.030" Thick)(As Required)
11.		-	See "Shank Assembly", Pages P2 And P3
12.	GB0301	1	Seed Tube Guard/Inner Scraper
13.	G10912	2	Hex Socket Head Cap Screw, 5/16"-18 x 1", Grade 8
14.	G10325	1	Hex Head Cap Screw, 3/8"-16 x 2 3/4"
	G10622	1	Serrated Flange Nut, 3/8"-16
15.	GD11259	1	Sleeve, 3/8" I.D. x 5/8" O.D. x 1 25/32" Long
A.	GA8324	-	Disc Blade/Bearing Assembly, Less Dust Cap (Items 3 And 7-9)

GAUGE WHEELS

(RU140)

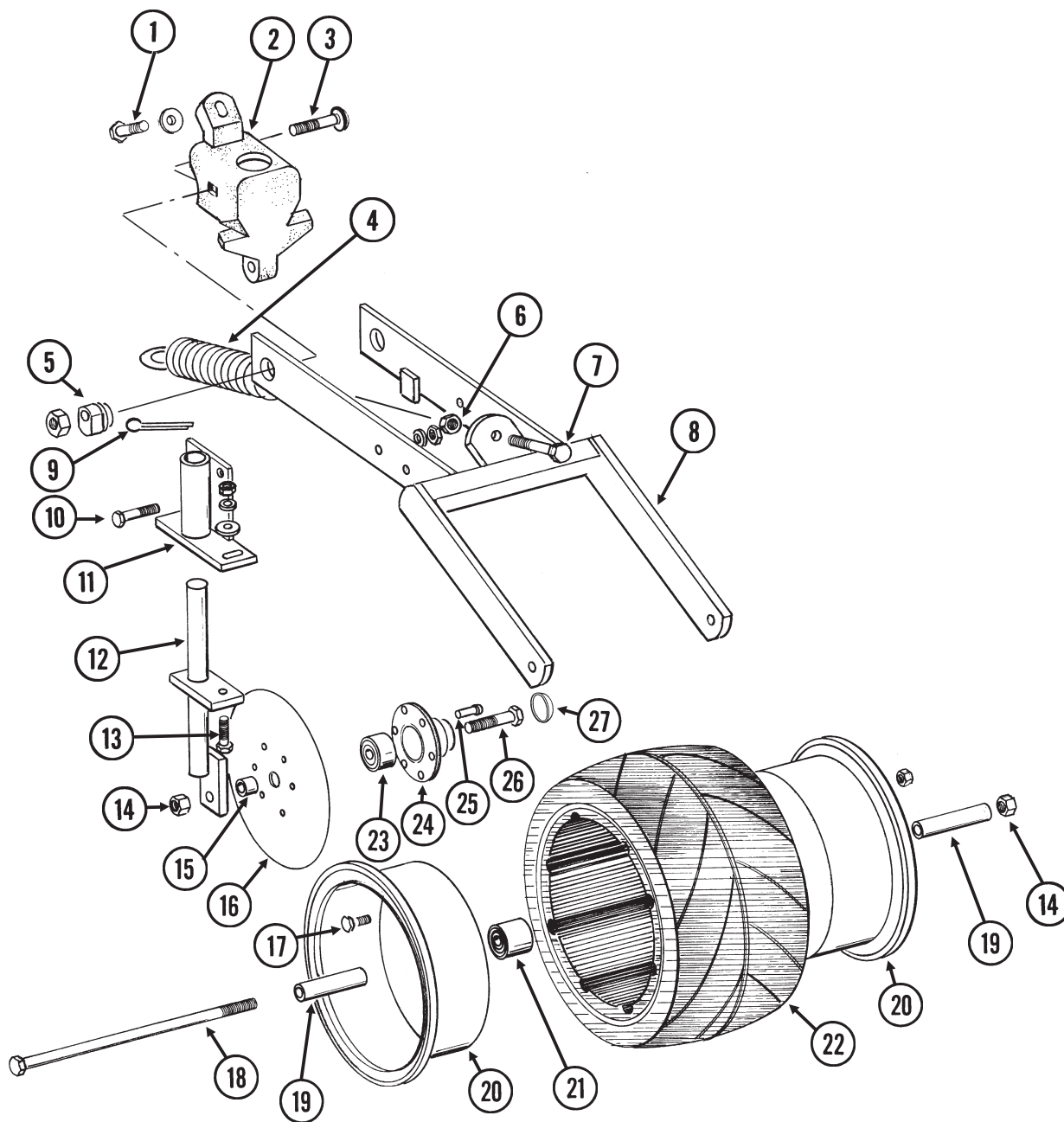


GAUGE WHEELS

ITEM	PART NO.	QTY. (Per Row)	DESCRIPTION
1.	G10940	-	Machine Bushing, 1" (.048" Thick)
2.	G10216	2	Washer, 1/2" USS
3.	G10228	2	Lock Washer, 1/2"
4.	G10014	1	Hex Head Cap Screw, 1/2"-13 x 1"
5.	GD11453	2	Cover
6.	G10338	12	Carriage Bolt, 5/16"-18 x 1 1/4"
	G10620	12	Serrated Flange Nut, 5/16"-18
7.	G10924	8	Carriage Bolt, 5/16"-18 x 1 3/4"
	G10620	8	Serrated Flange Nut, 5/16"-18
8.	G10010	2	Hex Head Cap Screw, 5/8"-11 x 3"
	G10230	2	Lock Washer, 5/8"
9.	G10018	14	Hex Head Cap Screw, 5/16"-18 x 5/8"
	G10109	14	Lock Nut, 5/16"-18, Grade 8
10.	GD11423	4	Half Wheel
11.	GD1086	2	Tire
12.	GA6171	2	Bearing
13.	G10204	2	Special Machine Bushing, 5/8" x 1" O.D.
14.	GA7975	1	Wheel Arm W/Grease Fitting, Bushings And Seals, L.H. (Shown)
	GA7976	1	Wheel Arm W/Grease Fitting, Bushings And Seals, R.H.
	G10640	1	Grease Fitting, 1/4"-28 (Per Arm)
	GB0276	2	Bushing, 1" I.D. x 1 1/4" O.D. x 1" Long (Per Arm)
	GD10991	2	Seal (Per Arm)
15.		-	See "Shank Assembly", Pages P2 And P3
A.	GA7949	-	Gauge Wheel Complete (Items 5-7 And 9-12)
B.	G1K296	-	Gauge Wheel Arm Bushing And Seal Driver Kit, Includes: (1) Seal Driver, (1) Bushing Driver, (1) Instruction

COVERING DISCS/SINGLE PRESS WHEEL

RUA054/RUB026(RU94d)

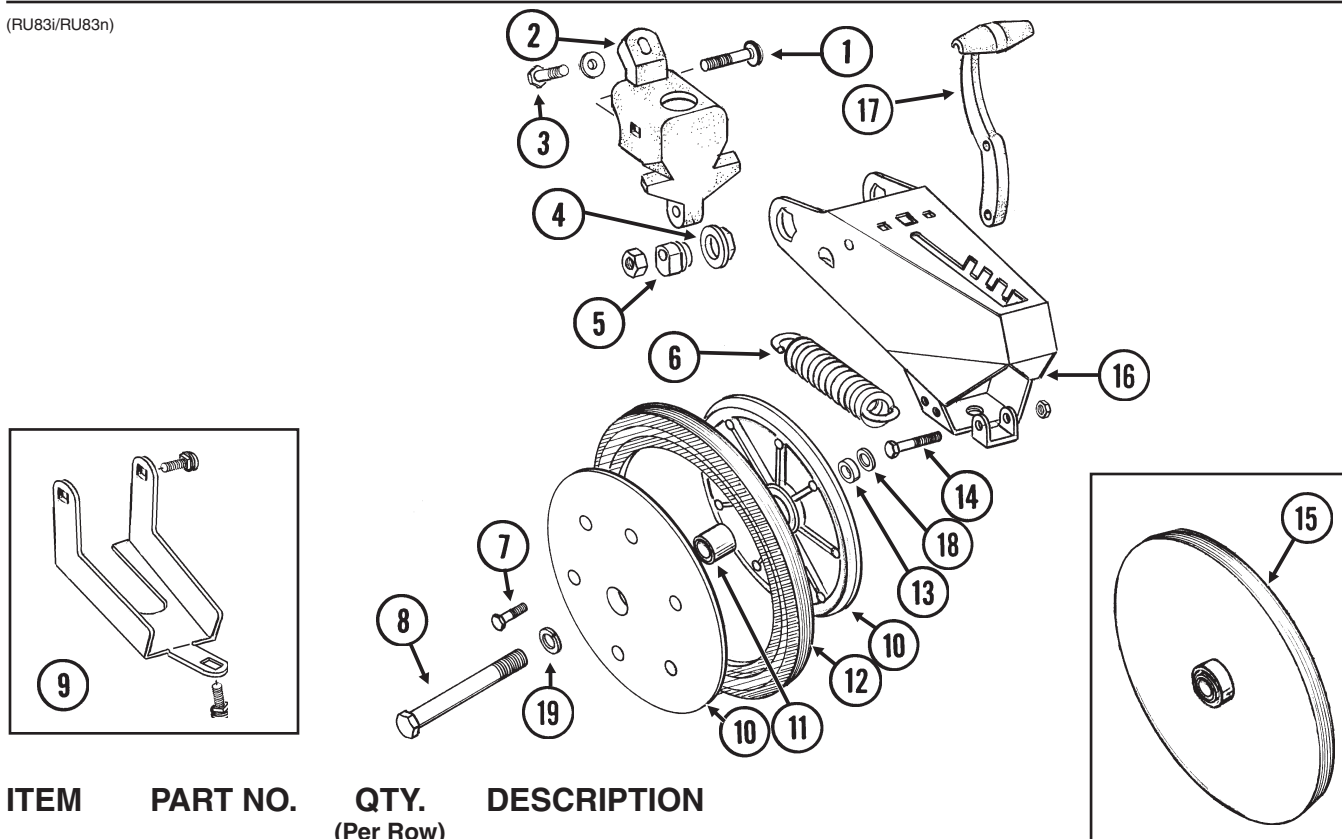


COVERING DISCS/SINGLE PRESS WHEEL

ITEM	PART NO.	QTY. (Per Row)	DESCRIPTION
1.	G10001	1	Hex Head Cap Screw, 3/8"-16 x 1"
	G10210	1	Washer, 3/8" USS
2.	GB0268	1	Wheel Arm Stop
3.	G10801	2	Carriage Bolt, 1/2"-13 x 2 1/4"
	G10315	-	Carriage Bolt, 1/2"-13 x 2 1/2" (Used W/Straight Drop In-Furrow Granular Chemical Bracket)
	G10102	2	Hex Nut, 1/2"-13
4.	GA2054	1	Spring
5.	GB0239	2	Eccentric Bushing
6.	G10102	1	Hex Nut, 1/2"-13
7.	G10015	1	Adjusting Bolt, 1/2"-13 x 5"
8.	GA6619	1	Mounting Arm
9.	G10463	2	Cotter Pin, 1/4" x 1 1/2"
10.	G10171	4	Hex Head Cap Screw, 5/16"-18 x 1 1/4"
	G10232	4	Lock Washer, 5/16"
	G10106	4	Hex Nut, 5/16"-18
11.	GA6620	2	Bracket
12.	GA6618	2	Mount
13.	G10303	2	Carriage Bolt, 5/16"-18 x 1"
	G10219	2	Washer, 5/16" USS
	G10232	2	Lock Washer, 5/16"
	G10106	2	Hex Nut, 5/16"-18
14.	G10107	3	Lock Nut, 5/8"-11
15.	GD1109	2	Bushing, 4 1/64" I.D. x 7/8" O.D. x 1/4" Long
16.	GD9290	2	Disc Blade, 8"
17.	G10018	7	Hex Head Cap Screw, 5/16"-18 x 5/8"
	G10109	7	Lock Nut, 5/16"-18, Grade 8
18.	G10152	1	Hex Head Cap Screw, 5/8"-11 x 9"
19.	GD3180-12	2	Sleeve, 5/8" I.D. x 7/8" O.D. x 2 7/8" Long
20.	GD9562	2	Half Wheel
21.	GA6171	1	Bearing
22.	GD9305	1	Tire
23.	GA2014	2	Bearing
24.	GD10473	2	Bearing Housing
25.	G10427	12	Rivet, 1/4" x 1/2"
26.	G10006	2	Hex Head Cap Screw, 5/8"-11 x 2 1/4"
27.	GD11845	2	Dust Cap
A.	GA6733	-	Single Press Wheel Complete W/Bearing (Items 17 And 20-22)
B.	GA6801	-	Covering Disc Blade Complete W/Bearing (Items 16 And 23-25)

"V" CLOSING WHEELS

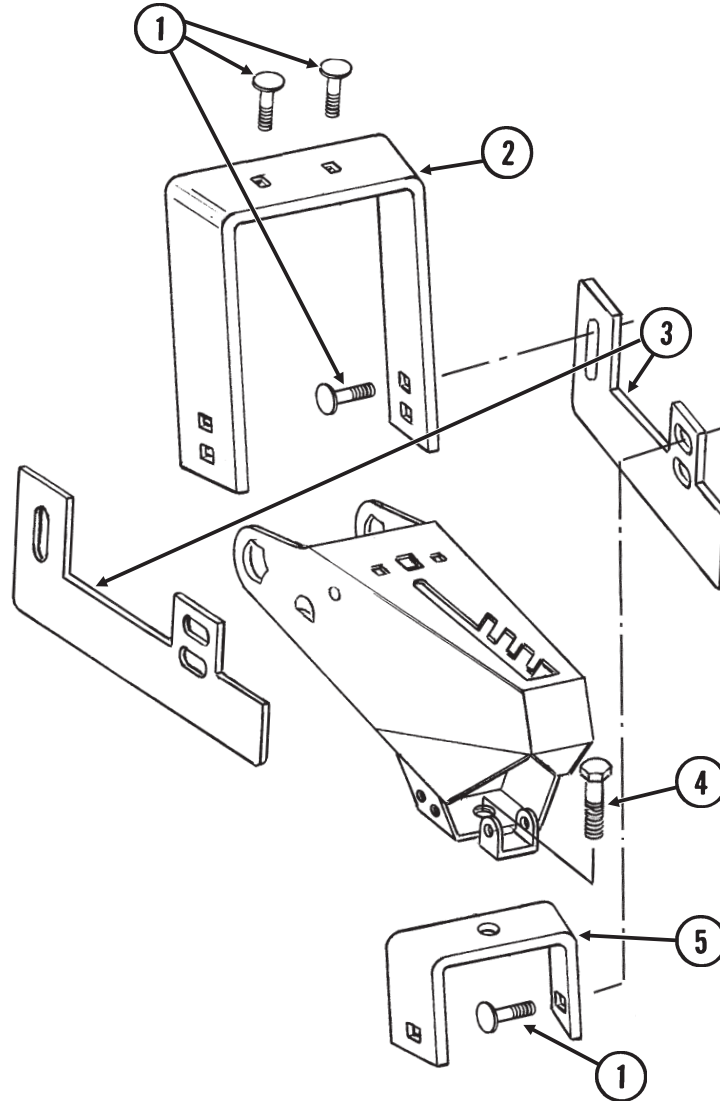
(RU83i/RU83n)



ITEM	PART NO.	QTY. (Per Row)	DESCRIPTION
1.	G10801	2	Carriage Bolt, 1/2"-13 x 2 1/4"
	G10315	-	Carriage Bolt, 1/2"-13 x 2 1/2" (Used W/Straight Drop In-Furrow Granular Chemical Bracket)
	G10111	2	Lock Nut, 1/2"-13
2.	GB0268	1	Wheel Arm Stop
3.	G10001	1	Hex Head Cap Screw, 3/8"-16 x 1"
	G10210	1	Washer, 3/8" USS
4.	GB0282	2	Stepped Bushing
5.	GB0239	2	Eccentric Bushing
6.	GD8460	1	Spring
7.	G10064	6	Hex Head Cap Screw, 1/4"-20 x 1"
8.	G10013	2	Hex Head Cap Screw, 5/8"-11 x 3 1/2"
	G10107	2	Lock Nut, 5/8"-11
9.	G1K345	-	Closing Wheel Shield Kit W/Hardware And Instruction
	G10308	2	Carriage Bolt, 3/8"-16 x 3/4"
	G10599	1	Carriage Bolt, 3/8"-16 x 1 1/4"
	G10210	1	Washer, 3/8" USS
	G10229	3	Lock Washer, 3/8"
	G10101	3	Hex Nut, 3/8"-16
10.	GD9120	4	Nylon Half Wheel
11.	GA6171	2	Bearing
12.	GD1085	2	Rubber Tire, 1" x 12"
13.	GD1109	2	Bushing, 4 1/64" I.D. x 7/8" O.D. x 1/4" Long
14.	G10133	1	Hex Head Cap Screw, 5/16"-18 x 1 1/2"
	G10109	1	Lock Nut, 5/16"-18, Grade 8
15.	GA6597	-	Cast Iron Closing Wheel W/Bearing
	GA6171	-	Bearing
16.	GA8322	1	Arm
17.	GB0254	1	Lever
18.	GD7805	2	Special Washer, 5/8", Hardened
19.	G10230	2	Lock Washer, 5/8"
A.	GA6434	-	Rubber Closing Wheel Complete W/Bearing (Items 7 And 10-12)

DRAG CLOSING ATTACHMENT

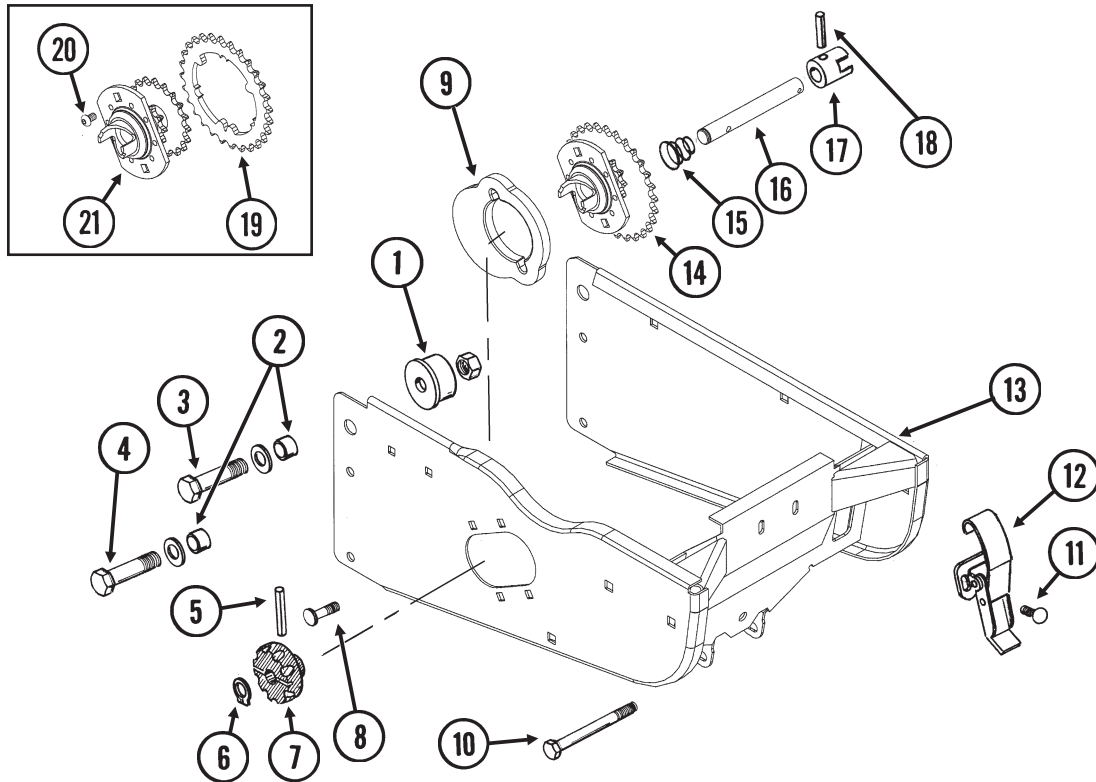
RUB050(RU90c)



ITEM	PART NO.	QTY. (Per Row)	DESCRIPTION
1.	G10599	6	Carriage Bolt, 3/8"-16 x 1 1/4"
	G10210	6	Washer, 3/8" USS
	G10229	6	Lock Washer, 3/8"
	G10101	6	Hex Nut, 3/8"-16
2.	GD11508	1	Front Bracket
3.	GD11313	2	Blade
4.	G10007	1	Hex Head Cap Screw, 5/8"-11 x 1 1/2"
	G10230	1	Lock Washer, 5/8"
	G10104	1	Hex Nut, 5/8"-11
5.	GD11509	1	Rear Bracket
A.	G7566X	-	Drag Closing Attachment Complete (Items 1-5)

HOPPER SUPPORT AND METER DRIVE

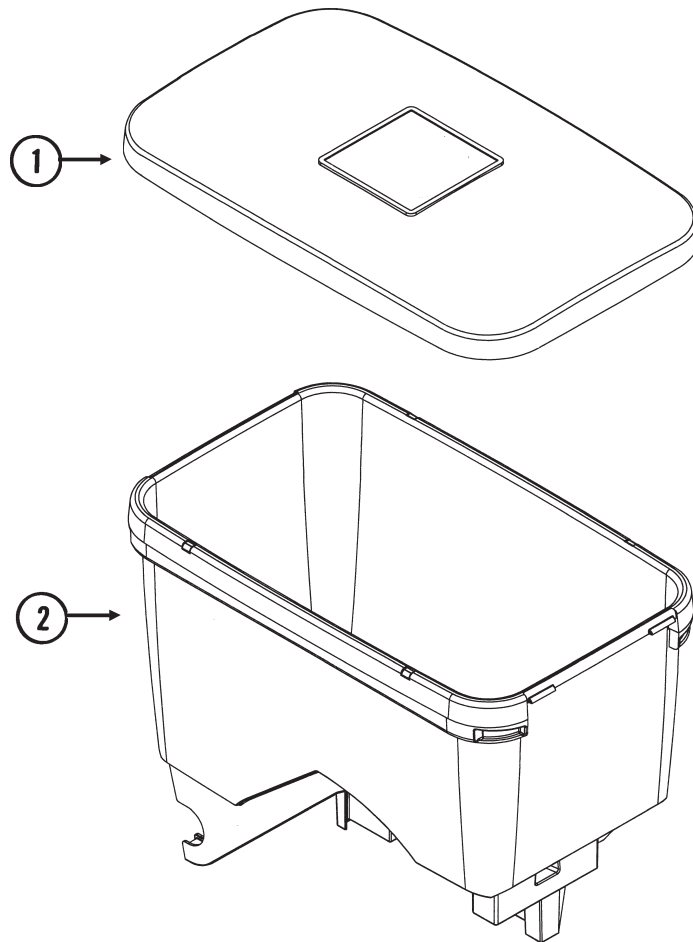
(METR72)



ITEM	PART NO.	QTY. (Per Row)	DESCRIPTION
1.	GB0314	2	Hopper Mount
2.	GB0218	4	Bushing, 2 ¹ / ₃₂ " I.D. x 7/8" O.D. x 1 ⁹ / ₃₂ " Long
3.	G10752	2	Hex Head Cap Screw, 5/8"-18 x 2 1/4"
	GD7805	2	Special Washer, 5/8", Hardened
	G10412	2	Lock Nut, 5/8"-18
4.	G10751	2	Hex Head Cap Screw, 5/8"-18 x 1 3/4"
	GD7805	2	Special Washer, 5/8", Hardened
	G10412	2	Lock Nut, 5/8"-18
5.	G10602	1	Spring Pin, 1/4" x 1 1/2"
6.	G10567	1	External Retaining Ring, 5/8"
7.	GD11239	1	Knob
8.	G10338	2	Carriage Bolt, 5/16"-18 x 1 1/4"
	G10620	2	Serrated Flange Nut, 5/16"-18
9.	GB0331	1	Clutch Adapter Plate
10.	G10061	1	Hex Head Cap Screw, 3/8"-16 x 3 1/2"
	G10210	2	Washer, 3/8" USS
	G10108	1	Lock Nut, 3/8"-16
11.	G10309	2	Carriage Bolt, 1/4"-20 x 5/8", Grade 2
	G10621	2	Serrated Flange Nut, 1/4"-20
12.	GA2007	1	Hopper Hold Down Latch
13.	GA10155	1	Hopper Support
14.	GA12143	1	Double Sprocket And Bearing, Drive Clutch, 11/28 Tooth
15.	GD11413	1	Spring
16.	GD15747	1	Shaft
17.	GB0278	1	Coupler
18.	G10546	1	Spring Pin, 3/16" x 1 1/4"
19.	GD17192	1	Bolt-On Sprocket, 28 Tooth
20.	G11222	3	Hex Socket Button Head Cap Screw, 5/16"-18 x 1/2", Stainless Steel
	G10620	3	Serrated Flange Nut, 5/16"-18
21.	GA10137	1	Double Sprocket And Bearing, Drive Clutch, 11/19 Tooth
A.	GA12144	-	Meter Drive Assembly, 11/28 Tooth (Items 5-7 And 14-18)

SEED HOPPER AND LID

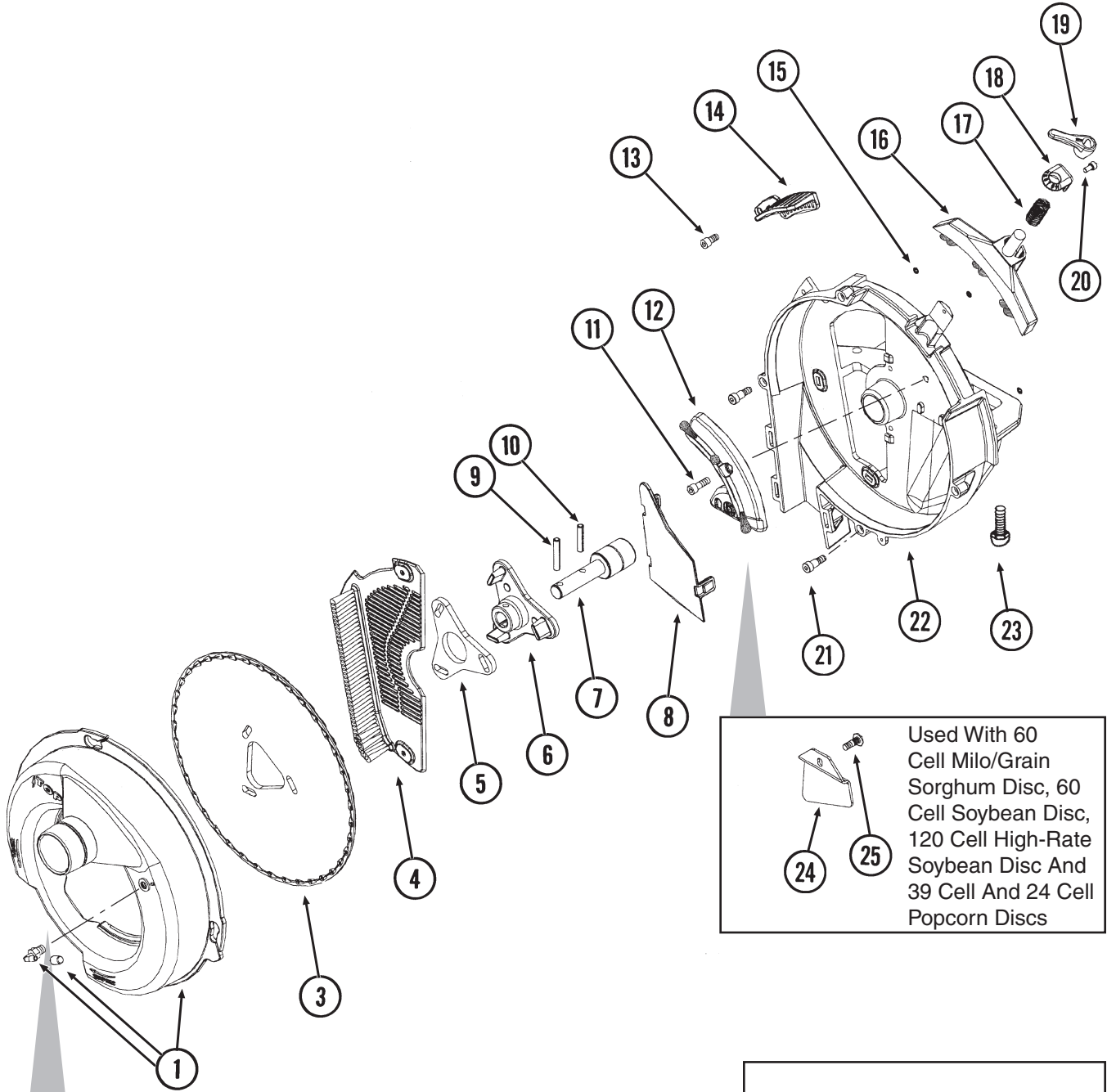
(METR12)





ITEM	PART NO.	QTY.	DESCRIPTION
1.	GD11279	1	Lid
2.	GA10634	1	Seed Hopper

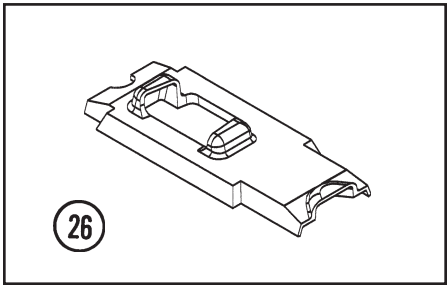
SEED METER

(METR69/METR65/A12133)



Used With 60 Cell Milo/Grain Sorghum Disc, 60 Cell Soybean Disc, 120 Cell High-Rate Soybean Disc And 39 Cell And 24 Cell Popcorn Discs

	<p>2 Used With 60 Cell Milo/Grain Sorghum Disc</p>
	<p>27 Used With 20 Cell Hill-Drop Acid-Delinted Cotton Discs; 54 Cell Acid-Delinted Cotton/ Small Dry Edible Bean Disc; And Small Cotton/Sunflower Disc</p>

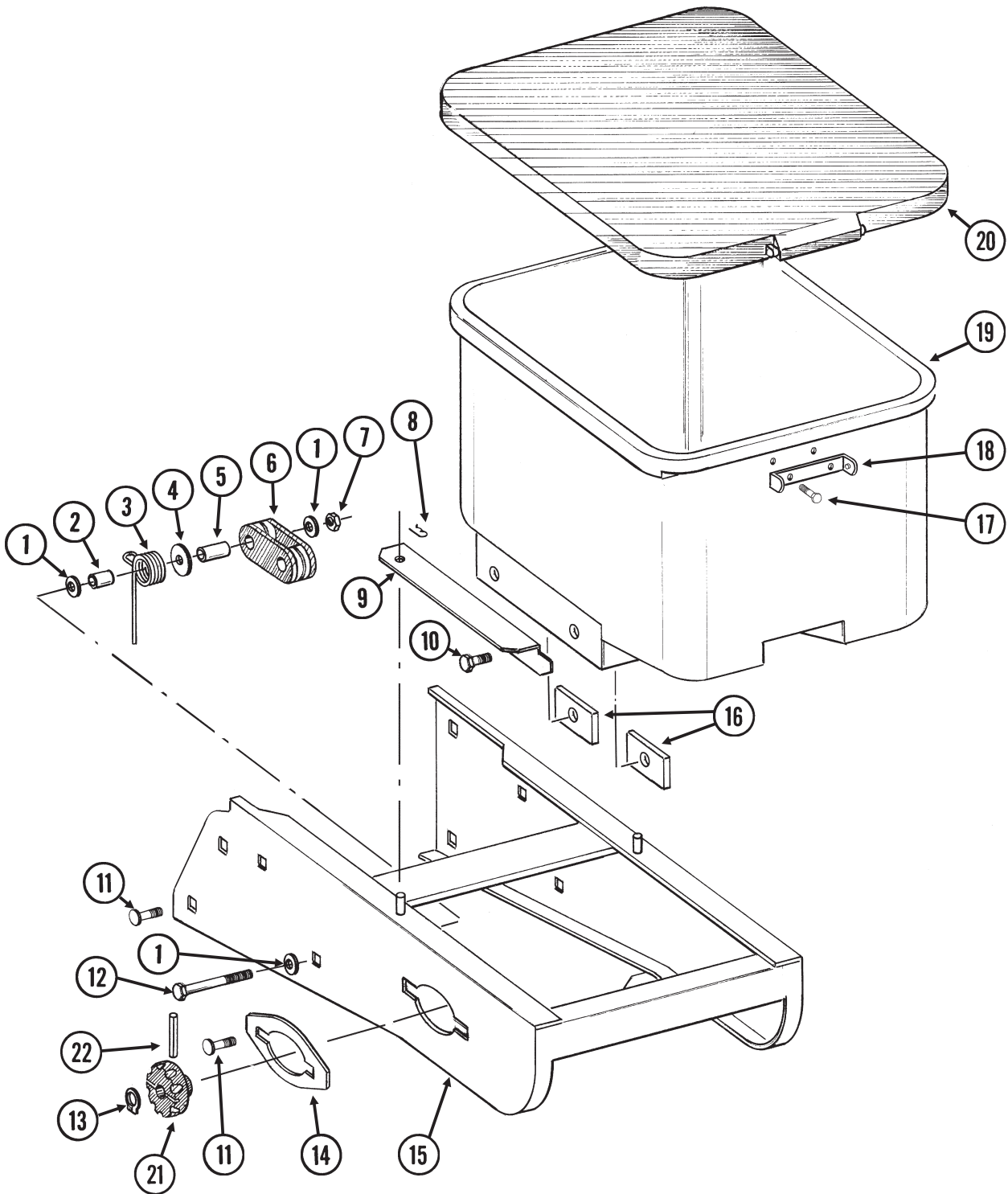


SEED METER

ITEM	PART NO.	QTY.	DESCRIPTION
1.	GA11911	1	Vacuum Cover W/Elbow And Cap
	GD17099	-	3/16" Hose Barb Elbow
	GD17152	-	Cap
2.	GA12133	1	Cleanout Brush (Used With 60 Cell Milo/Grain Sorghum Disc)
3.	GD17049	-	Seed Disc, Corn/Popcorn, 39 Cell, Light Blue Color-Coded
	GD17048	-	Seed Disc, Low-Rate Corn/Popcorn, 24 Cell, Light Green Color-Coded
	GD14467	-	Seed Disc, Soybean, 60 Cell, Black Color-Coded
	GD14468	-	Seed Disc, High-Rate Soybean, 120 Cell, Dark Blue Color-Coded
	GD17050	-	Seed Disc, Milo/Grain Sorghum, 60 Cell, Yellow Color-Coded
	GD17187	-	Seed Disc, Hill-Drop Cotton, Acid-Delinted, 3 Seeds Per Cell, 20 Cell, Brown Color-Coded
	GD18095	-	Seed Disc, Small Hill-Drop Cotton, Acid-Delinted, 20 Cell (3 Seeds Per Cell), Grey Color-Coded
	GD17186	-	Seed Disc, Cotton, Acid-Delinted/Small Dry Edible Bean, 54 Cell, Dark Green Color-Coded
	GD18098	-	Seed Disc, Small Cotton/Sunflower, 54 Cell, White Color-Coded
	GD14477	-	Seed Disc, Large Dry Edible Bean, 54 Cell, Tan Color-Coded
4.	GD17028	1	Wall Brush/Vent
5.	GD17021	1	Foam Spacer
6.	GB0328	1	Mount
7.	GA5698	1	Bearing
8.	GD14541	1	Discharge Cover
9.	G10602	1	Spring Pin, 1/4" x 1 1/2"
10.	G10603	1	Spring Pin, 1/4" x 1 1/4"
11.	G11213	1	Hex Socket Head Cap Screw, 1/4"-20 x 3/4"
12.	GA11935	1	Crowder Brush
13.	G10260	1	Hex Socket Head Cap Screw, 1/4"-20 x 1/2"
14.	GD17047	1	Air Inlet Screen
15.	GD17162	3	Push Nut, 1/8" I.D.
16.	GA10755	1	Singulator Brush
17.	GD14592	1	Spring
18.	GB0358	1	Cap
19.	GD15663	1	Brush Adjustment Lever
20.	G11173	1	Hex Socket Head Cap Screw, No. 10-24 x 3/8", Stainless Steel
21.	G11172	4	Hex Socket Head Shoulder Screw, 1/4"-20 x 3/8", Stainless Steel
22.	GB0319	1	Housing
23.	G11009	2	Locking Thumbscrew, 5/16"-18 x 3/4"
24.	GD17104	1	Seed Baffle (Used With 60 Cell Milo/Grain Sorghum Disc, 60 Cell Soybean Disc, 120 Cell High-Rate Soybean Disc And 39 Cell And 24 Cell Popcorn Discs)
25.	G11210	1	Rib Neck Bolt, 1/4"-20 x 3/4"
	G10323	1	Hex Flange Nut, 1/4"-20, No Serrations
26.	GD15700	1	Shank Cover, EdgeVac® Meter
27.	GA12154	-	Cleanout Brush W/Ball-Type Ejector (Used With 20 Cell Hill-Drop Acid-Delinted Cotton Discs And 54 Cell Acid-Delinted Cotton/Small Dry Edible Bean And Small Cotton/Sunflower Discs)

GRANULAR CHEMICAL HOPPER AND HOPPER PANEL EXTENSION

(METR14d)

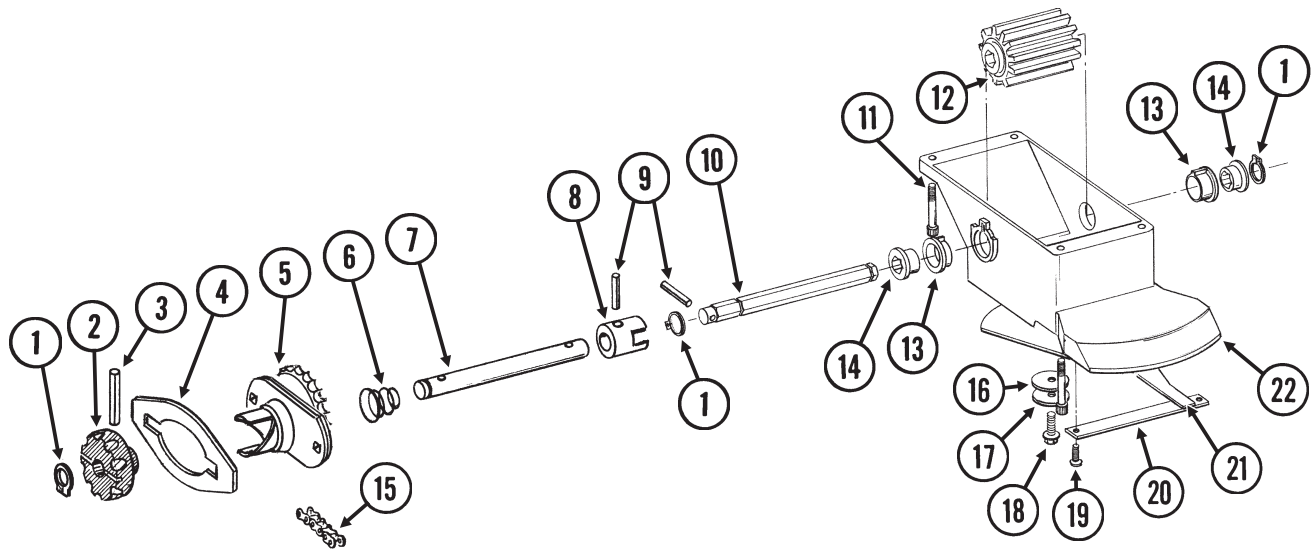


GRANULAR CHEMICAL HOPPER AND HOPPER PANEL EXTENSION

ITEM	PART NO.	QTY. (Per Row)	DESCRIPTION
1.	G10210	3	Washer, 3/8" USS
2.	GD2971-10	1	Sleeve, 9/16" Long
3.	GD11219	1	Spring
4.	G10201	1	Special Washer, 3/8" x 1 1/2" O.D.
5.	GD1026	1	Sleeve, 1 3/16" Long
6.	GD11962	1	Idler
7.	G10108	1	Lock Nut, 3/8"-16
8.	G10670	2	Hair Pin Clip, No. 3
9.	GD1059L	1	Support, L.H. (Shown)
	GD1059R	1	Support, R.H.
10.	G10002	4	Hex Head Cap Screw, 3/8"-16 x 3/4"
	G10229	4	Lock Washer, 3/8"
11.	G10312	8	Carriage Bolt, 5/16"-18 x 3/4"
	G10620	8	Serrated Flange Nut, 5/16"-18
12.	G10325	1	Hex Head Cap Screw, 3/8"-16 x 2 3/4"
13.	G10567	3	External Retaining Ring, 5/8"
14.	GD11305	1	Plate
15.	A10759	1	Hopper Panel Extension (Non-Stock Item) (Sub Wholegoods Order Code 700-01099)
16.	GD11424	4	Block
17.	G10023	2	Hex Head Cap Screw, 1/4"-20 x 3/4"
	G10621	2	Serrated Flange Nut, 1/4"-20
18.	GD1060	1	Hinge
19.	GA8371	1	Hopper
20.	GA4444	1	Lid
21.	GD11239	1	Knob
22.	G10602	1	Spring Pin, 1/4" x 1 1/2"

GRANULAR CHEMICAL METER AND METER DRIVE

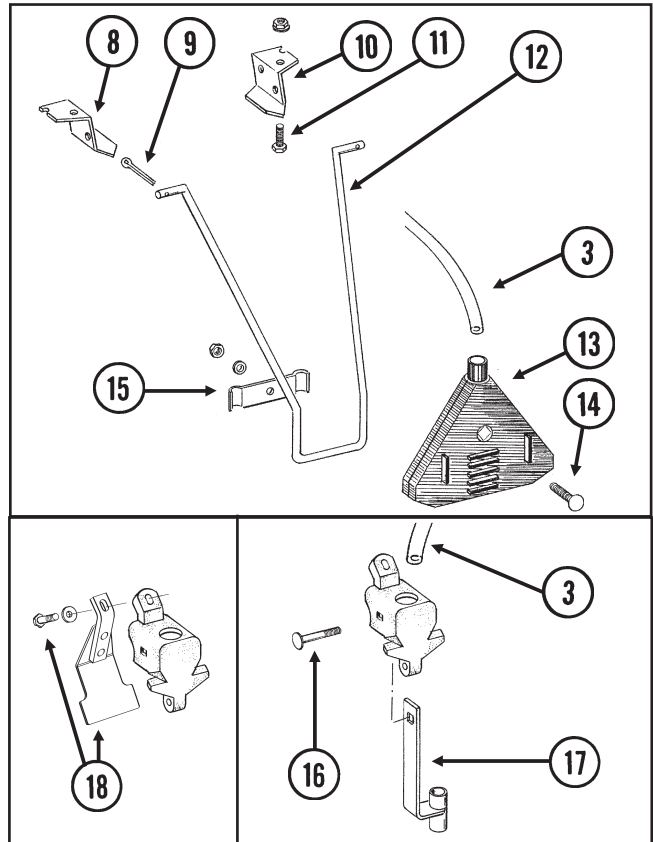
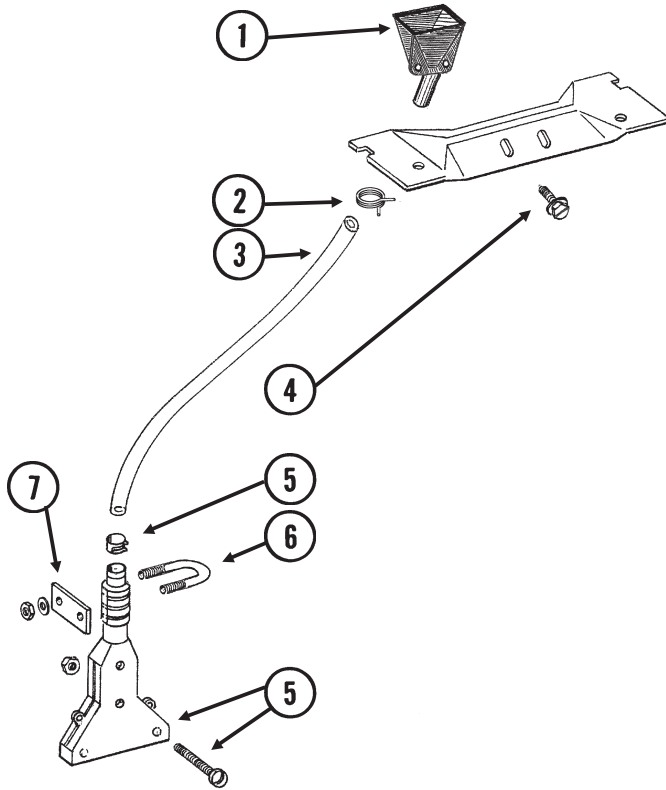
RUA051/RUB028(RU91a)



ITEM	PART NO.	QTY. (Per Row)	DESCRIPTION
1.	G10567	3	External Retaining Ring, 5/8"
2.	GD11239	1	Knob
3.	G10602	1	Spring Pin, 1/4" x 1 1/2"
4.		-	See "Granular Chemical Hopper And Hopper Panel Extension", Pages P24 And P25
5.	GA8364	1	Sprocket And Bearing, Drive Clutch, 24 Tooth
6.	GD11413	1	Spring
7.	GD11240	1	Shaft
8.	GB0278	1	Coupler
9.	G10546	2	Spring Pin, 3/16" x 1 1/4"
10.	GD11297	1	Shaft
11.	G10921	4	Hex Socket Head Cap Screw, No. 10-24 x 7/8"
	G10257	4	Lock Washer, No. 10
12.	GD7148	1	Feed Roller, Hex Bore
13.	GB0115	2	Bearing
14.	GD7258	2	Hex Bushing
15.	G3303-108	1	Chain, No. 41, 108 Pitch Including Connector Link
	GR0196	1	Connector Link, No. 41
16.	G10660	1	Wave Washer, 1/2"
17.	G10209	1	Washer, 1/4" USS
18.	G10570	1	Slotted Hex Self-Tapping Screw, 1/4"-20 x 3/4"
19.	G11073	2	Slotted Hex Self-Tapping Screw, No. 10 x 3/8"
20.	GD1061	1	Support Strap
21.	GD1063	1	Metering Gate
22.	GB0116	1	Granular Housing
A.	GA8326	-	Granular Chemical Meter Complete (Items 1, 9, 10, 12-14 And 16-22)

GRANULAR CHEMICAL BANDING OPTIONS

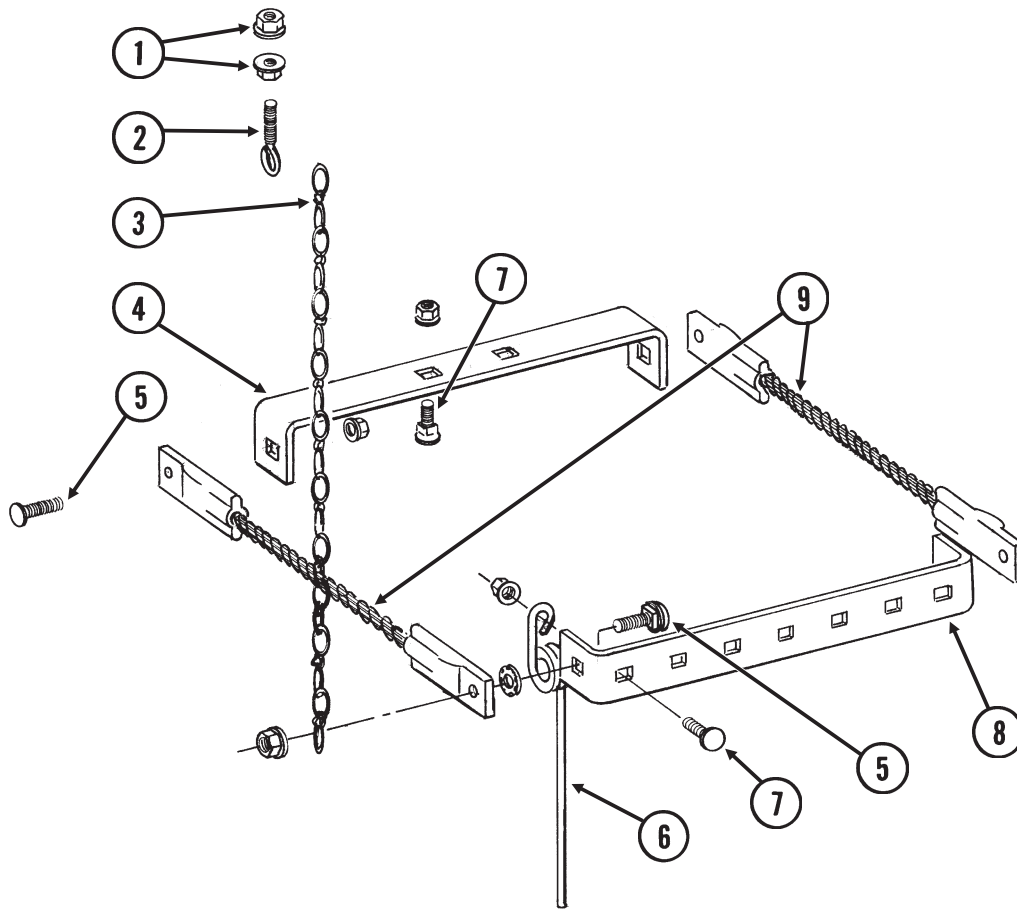
RUA061/RUA073(RU101mm/RU83m)



ITEM	PART NO.	QTY.	DESCRIPTION
1.	GD2423	1	Funnel
2.	G11209	1	Wire Hose Clamp, 3/4"
3.	GD2947	1	Hose, 7/16" x 28"
4.	G10523	2	Slotted Pan Head Self-Tapping Screw, No. 10 x 1/2"
5.	GA6907	1	Slope-Compensating Bander W/Hardware (4 1/2" Band Width)
	G10864	1	Uni-Clamp
	G10757	2	Pan Head Screw, No. 10-32 x 1 1/4"
	G10758	2	Hex Nut, No. 10-32
6.	GD10963	1	U-Bolt, 1 1/2" x 1 5/16" x 1/4"-20
	G10209	2	Washer, 1/4" USS
	G10110	2	Lock Nut, 1/4"-20, Grade B
7.	GD10984	1	Spacer
8.	GD1115L	-	Hanger Bracket, L.H.
9.	G10452	-	Cotter Pin, 1/8" x 1/2"
10.	GD1115R	-	Hanger Bracket, R.H.
11.	G10310	-	Carriage Bolt, 1/4"-20 x 3/4", Grade 2
	G10227	-	Lock Washer, 1/4"
	G10103	-	Hex Nut, 1/4"-20
12.	GD1116	-	Hanger
13.	GA2075	-	Diffuser, 14" Band
14.	G10306	-	Carriage Bolt, 3/8"-16 x 2"
	G10229	-	Lock Washer, 3/8"
	G10101	-	Hex Nut, 3/8"-16
15.	GD1118	-	Clamp
16.	G10315	1	Carriage Bolt, 1/2"-13 x 2 1/2" (Replaces Existing 1/2" x 2 1/4" Hardware)
17.	GA6741	1	Bracket (Straight Drop In-Furrow)
18.	G1K385	-	Bander Shield Kit W/Hardware And Instruction
	G10003	1	Hex Head Cap Screw, 3/8"-16 x 1 1/2"
	GD14659	1	Special Washer, 3/8", Hardened

SPRING TOOTH INCORPORATOR

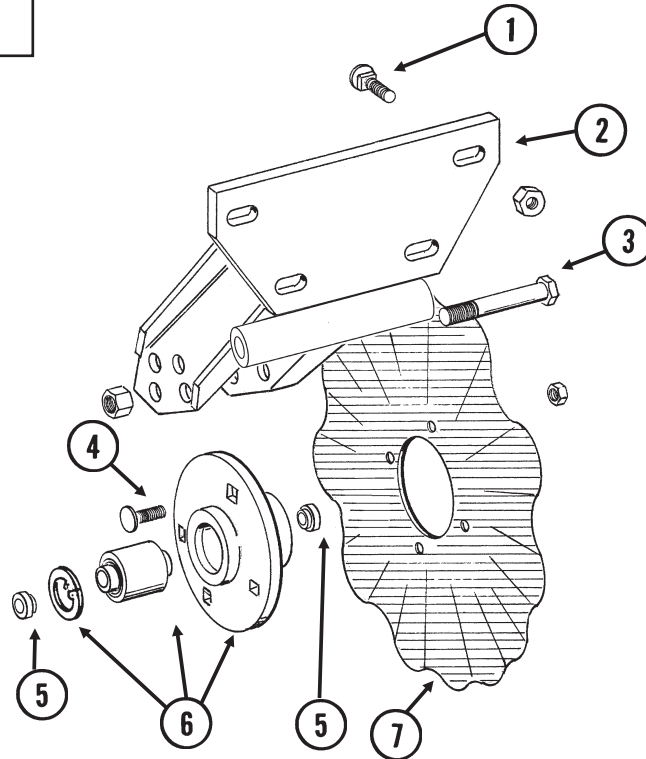
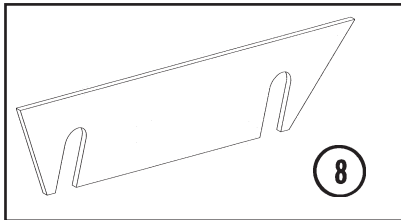
RUA055(RU95)



ITEM	PART NO.	QTY. (Per Row)	DESCRIPTION
1.	G10621	4	Serrated Flange Nut, 1/4"-20
2.	GD2460	2	Eyebolt, 1/4"-20
3.	G3305-01	4	Twin Loop Chain, 9 Links
4.	GD1143	1	Front Bracket
5.	G10305	4	Carriage Bolt, 3/8"-16 x 1"
	G10529	4	External Tooth Lock Washer, 3/8"
	G10622	4	Serrated Flange Nut, 3/8"-16
6.	GD1145	7	Spring Tooth
7.	G10308	9	Carriage Bolt, 3/8"-16 x 3/4"
	G10622	9	Serrated Flange Nut, 3/8"-16
8.	GD1144	1	Rear Bracket
9.	GA2094	2	Cable Assembly

ROW UNIT MOUNTED NO TILL COULTER

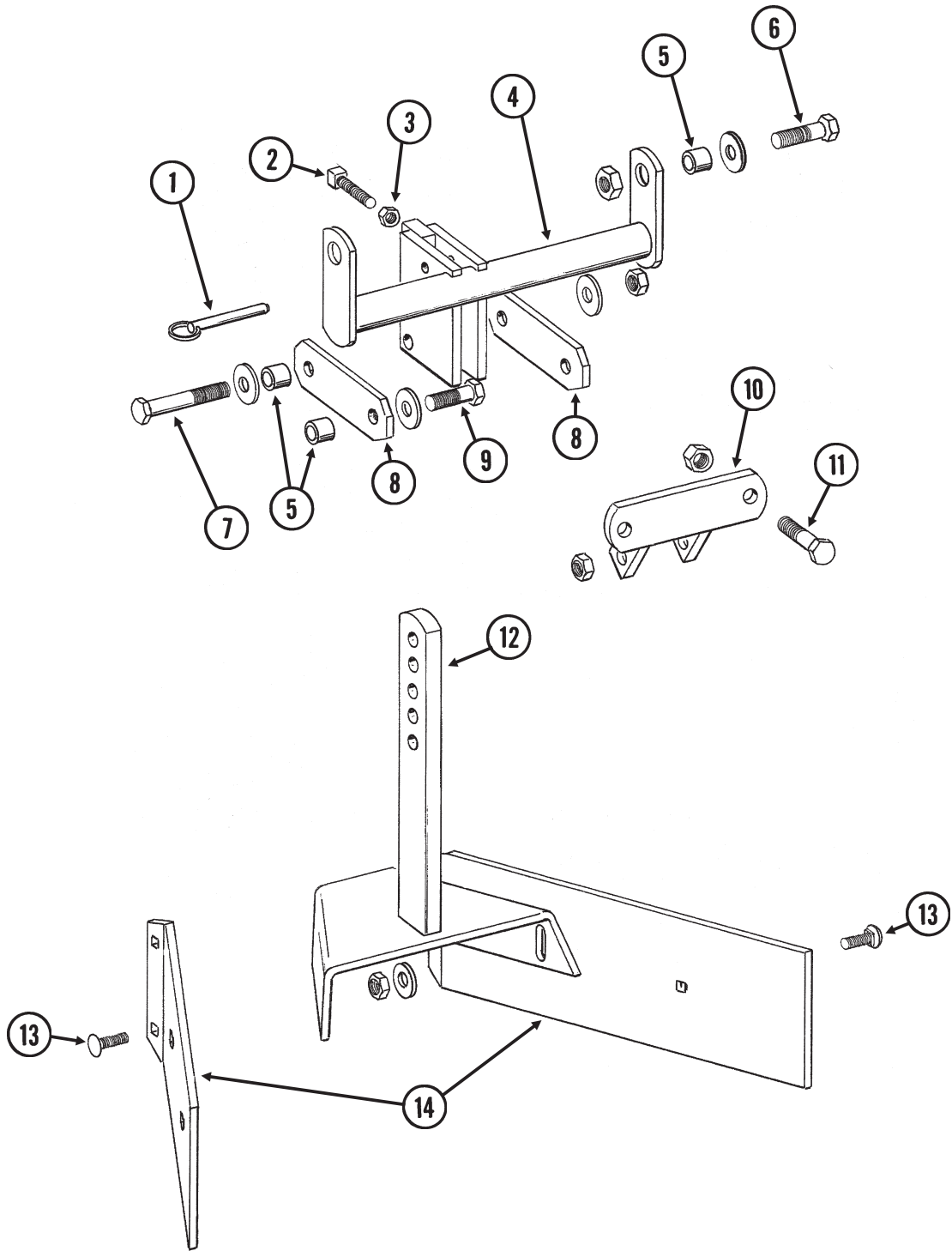
(D14398/RU102c/RU152)



ITEM	PART NO.	QTY. (Per Row)	DESCRIPTION
1.	G10574	4	Carriage Bolt, 1/2"-13 x 1 1/4"
	G10111	4	Lock Nut, 1/2"-13
2.	GA11520	1	Arm
3.	G10036	1	Hex Head Cap Screw, 5/8"-11 x 4"
	G10107	1	Lock Nut, 5/8"-11
4.	G10574	4	Carriage Bolt, 1/2"-13 x 1 1/4"
	G10111	4	Lock Nut, 1/2"-13
5.	GD11677	2	Adapter
6.	GA8641	1	Hub W/Bearing And Retaining Ring
	GA8603	-	Bearing, Double Row
	GD11652	-	Retaining Ring, 2 7/16"
7.	GD7803	-	Disc Blade, Fluted, 1", 8 Flutes (Shown)
	GD7804	-	Disc Blade, Bubbled, 1"
	GD9254	-	Disc Blade, Fluted, 3/4", 13 Flutes
8.	GD14398	-	Spacer

ROW UNIT MOUNTED BED LEVELER

RUA059/RUA060(RU99/RU100)

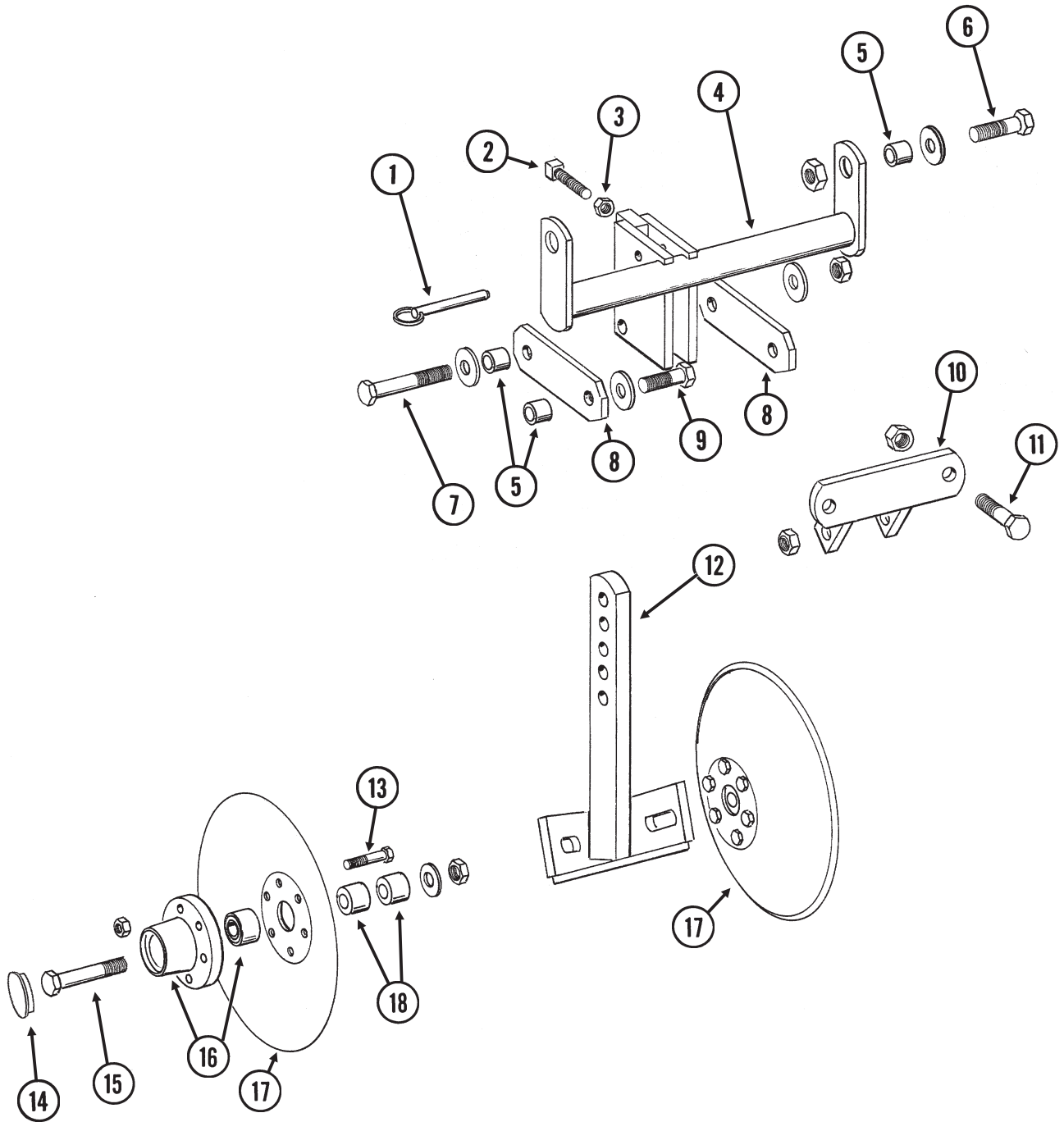


ROW UNIT MOUNTED BED LEVELER

ITEM	PART NO.	QTY. (Per Row)	DESCRIPTION
1.	G10536	1	Detent Pin, 1/2" x 2 1/2" Grip
2.	G10597	1	Square Head Set Screw, 5/8"-11 x 2 1/4"
3.	G10503	1	Hex Jam Nut, 5/8"-11, Grade 2
4.	GA5719	1	Mounting Bracket
5.	GD7889	6	Bushing, 1" O.D. x 9/16" I.D. x 7/16" Long
6.	G10039	2	Hex Head Cap Screw, 1/2"-13 x 1 3/4"
	GD14674	2	Special Washer, 1/2", Hardened
	G10111	2	Lock Nut, 1/2"-13
7.	G10585	1	Hex Head Cap Screw, 1/2"-13 x 3 1/4"
	G10216	2	Washer, 1/2" USS
	G10111	1	Lock Nut, 1/2"-13
8.	GD7890	2	Link
9.	G10017	2	Hex Head Cap Screw, 1/2"-13 x 1 1/2"
	G10216	2	Washer, 1/2" USS
	G10111	2	Lock Nut, 1/2"-13
10.	GA5715	1	Anchor
11.	G10017	2	Hex Head Cap Screw, 1/2"-13 x 1 1/2"
	G10111	2	Lock Nut, 1/2"-13
12.	GA5892	1	Leveler
13.	G10303	6	Carriage Bolt, 5/16"-18 x 1"
	G10219	4	Washer, 5/16" USS
	G10109	6	Lock Nut, 5/16"-18, Grade 8
14.	GD8266	2	Blade

ROW UNIT MOUNTED DISC FURROWER

RUA059/RUA058(RU99/RU98g)

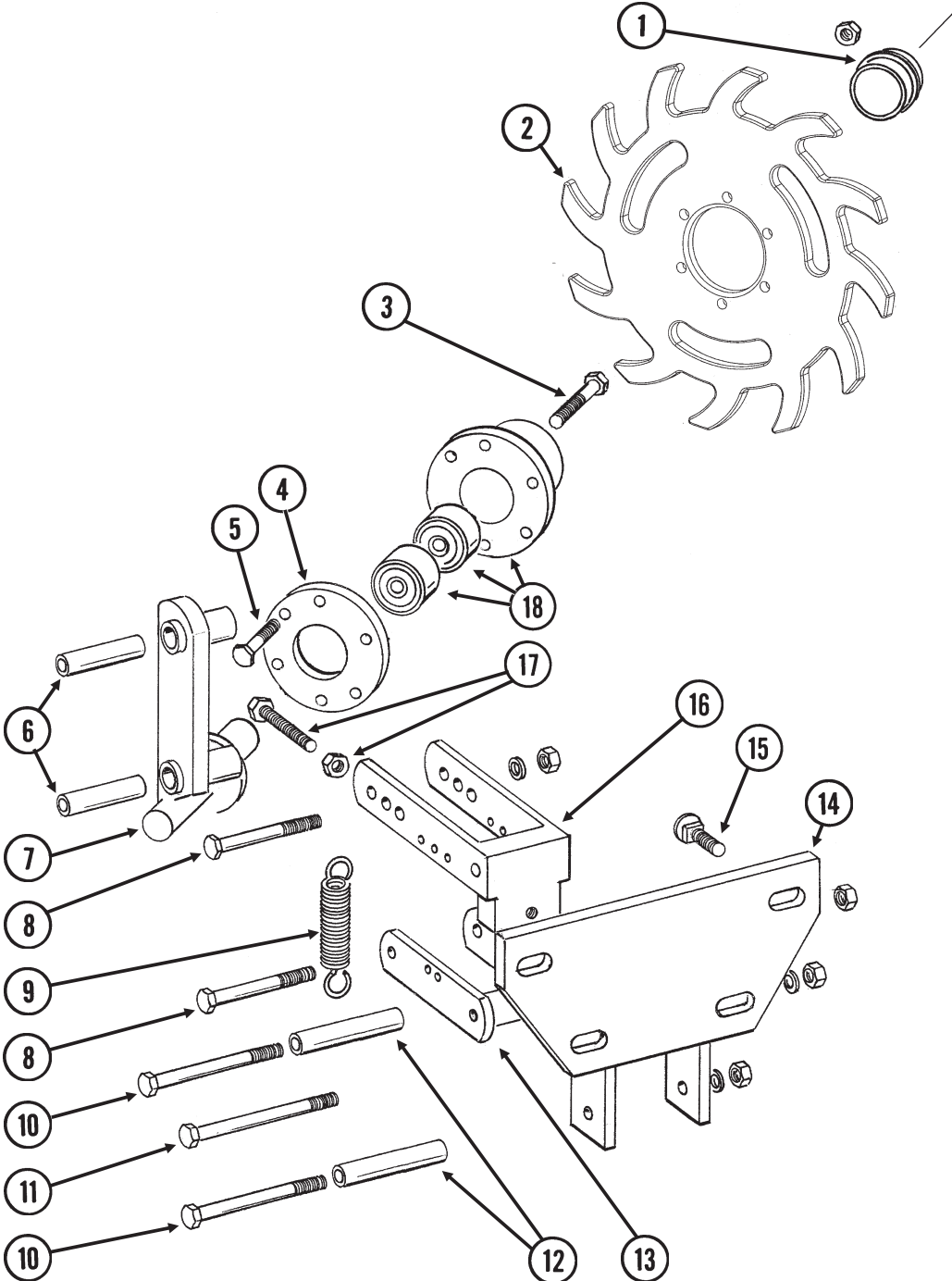


ROW UNIT MOUNTED DISC FURROWER

ITEM	PART NO.	QTY. (Per Row)	DESCRIPTION
1.	G10536	1	Detent Pin, 1/2" x 2 1/2" Grip
2.	G10597	1	Square Head Set Screw, 5/8"-11 x 2 1/4"
3.	G10503	1	Hex Jam Nut, 5/8"-11, Grade 2
4.	GA5719	1	Mounting Bracket
5.	GD7889	6	Bushing, 1" O.D. x 9/16" I.D. x 7/16" Long
6.	G10039	2	Hex Head Cap Screw, 1/2"-13 x 1 3/4"
	GD14674	2	Special Washer, 1/2", Hardened
	G10111	2	Lock Nut, 1/2"-13
7.	G10585	1	Hex Head Cap Screw, 1/2"-13 x 3 1/4"
	G10216	2	Washer, 1/2" USS
	G10111	1	Lock Nut, 1/2"-13
8.	GD7890	2	Link
9.	G10017	2	Hex Head Cap Screw, 1/2"-13 x 1 1/2"
	G10216	2	Washer, 1/2" USS
	G10111	2	Lock Nut, 1/2"-13
10.	GA5715	1	Anchor
11.	G10017	2	Hex Head Cap Screw, 1/2"-13 x 1 1/2"
	G10111	2	Lock Nut, 1/2"-13
12.	GA5718	1	Support Arm
13.	G10572	6	Truss Head Slotted Machine Screw, 5/16"-18 x 7/8"
	G10106	6	Hex Nut, 5/16"-18
14.	GD1132	2	Dust Cap
15.	G10318	2	Hex Head Cap Screw, 5/8"-11 x 4 1/2"
	GD7805	2	Special Washer, 5/8", Hardened
	G10107	2	Lock Nut, 5/8"-11
16.	GA5654	2	Hub W/Bearings
	GA2014	-	Bearing
17.	GD7823	-	Disc Blade, Solid, 12" (Shown)
	GD8307	-	Disc Blade, Notched, 12"
18.	GD7817-01	2	Spacer, 1 1/16" I.D. x 3/4" Long
	GD7817-04	2	Spacer, 1 1/16" I.D. x 1/2" Long

ROW UNIT MOUNTED RESIDUE WHEEL

(RU103dd)

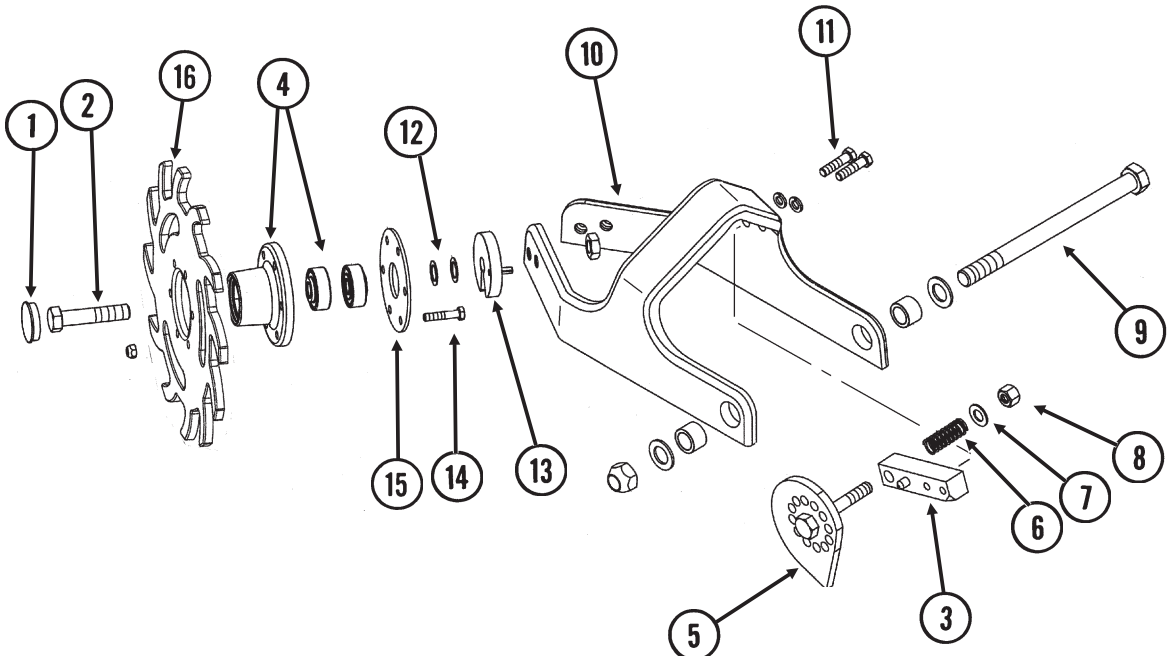


ROW UNIT MOUNTED RESIDUE WHEEL

ITEM	PART NO.	QTY. (Per Row)	DESCRIPTION
1.	GD1132	1	Dust Cap
2.	GB0387	1	Wheel, 12 Tine, 3/8" x 12"
3.	G10006	1	Hex Head Cap Screw, 5/8"-11 x 2 1/4"
4.	GD9724	1	Backing Plate
5.	G10133	6	Hex Head Cap Screw, 5/16"-18 x 1 1/2"
	G10109	6	Lock Nut, 5/16"-18, Grade 8
6.	GD9720	2	Spacer, 1/2" x 2 3/16" Long
7.	GA6838	1	Wheel Mount
8.	G10033	2	Hex Head Cap Screw, 1/2"-13 x 3 1/2"
	G10228	2	Lock Washer, 1/2"
	G10102	2	Hex Nut, 1/2"-13
9.	GD5857	2	Spring
10.	G10045	2	Hex Head Cap Screw, 1/2"-13 x 4 1/2"
	G10228	2	Lock Washer, 1/2"
	G10102	2	Hex Nut, 1/2"-13
11.	G10348	1	Hex Head Cap Screw, 1/2"-13 x 5" (Lockup Bolt)
	G10111	1	Lock Nut, 1/2"-13
12.	GD9715	2	Spacer, 1/2" x 3" Long
13.	GA6834	1	Lower Link
14.	GA6832	1	Mount
15.	G10574	4	Carriage Bolt, 1/2"-13 x 1 1/4"
	G10111	4	Lock Nut, 1/2"-13
16.	GA6833	1	Upper Link
17.	G10371	1	Hex Head Cap Screw, 1/2"-13 x 3", Full Thread
	G10501	1	Hex Jam Nut, 1/2"-13, Grade 2
18.	GA5654	1	Hub W/Bearings
	GA2014	-	Bearing
A.	GA12236	-	Wheel Assembly, 12 Tine, R.H. (Items 2, 4, 5, And 18)

COULTER MOUNTED RESIDUE WHEELS

(RU153)

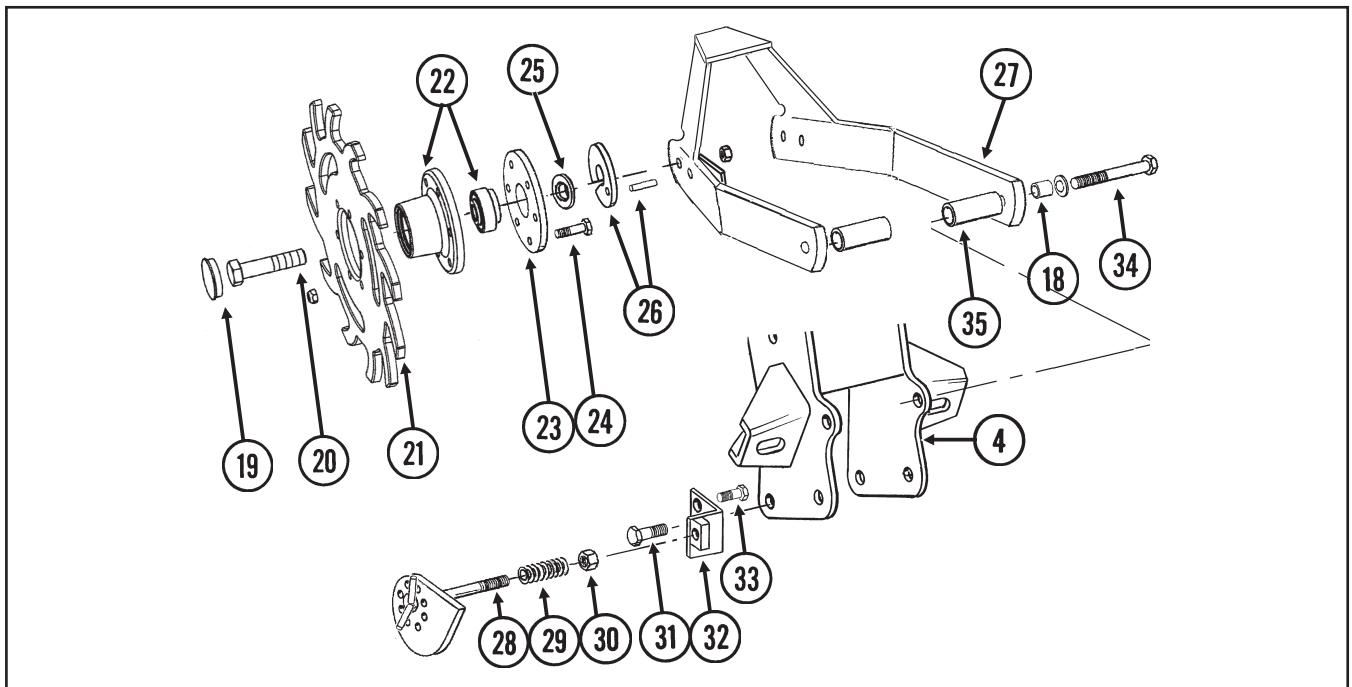
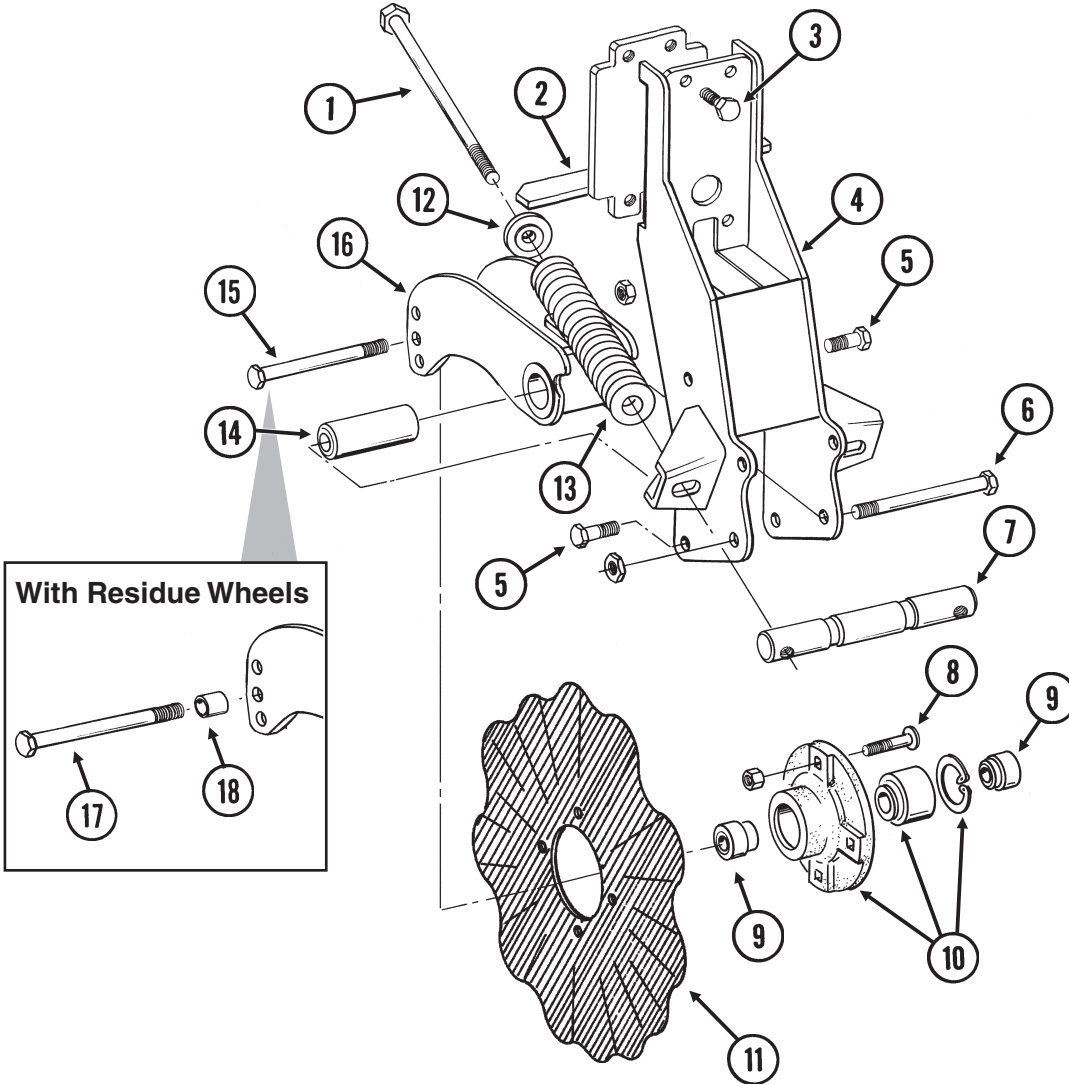


COULTER MOUNTED RESIDUE WHEELS

ITEM	PART NO.	QTY. (Per Row)	DESCRIPTION
1.	GD1132	2	Dust Cap
2.	G10010	2	Hex Head Cap Screw, 5/8"-11 x 3"
	G10503	2	Hex Jam Nut, 5/8"-11, Grade 2
3.	GA12256	1	Locking Pin
4.	GA5654	2	Hub W/Bearings
	GA2014	-	Bearing
5.	GA7412	1	Cam
6.	GD10519	1	Spring
7.	G10206	1	Washer, 1/2" SAE
8.	G10974	1	Lock Nut W/Nylon Insert, 1/2"-13
9.	G11236	1	Hex Head Cap Screw, 3/4"-10 x 10 1/2"
	GB0383	2	Bushing, 1 1/8" O.D. x 25/32" I.D. x 3/4" Long
	G10194	2	Washer, 3/4" SAE
	G11228	1	Lock Nut, 3/4"-10
10.	GB0401	1	Mount
11.	G10003	2	Hex Head Cap Screw, 3/8"-16 x 1 1/2"
	G10229	2	Lock Washer, 3/8"
12.	G10213	2-4	Machine Bushing, 5/8" (.030" Thick)
13.	GA8760	2	Weed Guard W/Spring Pin
	G10765	-	Spring Pin, 1/4" x 1"
14.	G10133	12	Hex Head Cap Screw, 5/16"-18 x 1 1/2"
	G10109	12	Lock Nut, 5/16"-18, Grade 8
15.	GD9724	2	Backing Plate
16.	GB0387	2	Wheel, 12 Tine, 3/8" x 12"
A.	GA12236	-	Wheel Assembly, 12 Tine, R.H. (Items 3, 4, 14, And 15) (Shown)
	GA12235	-	Wheel Assembly, 12 Tine, L.H. (Items 3, 4, 14, And 15)
B.	G1K467	-	Residue Wheel Mount Kit (Items 17-20)

FRAME MOUNTED COULTER W/RESIDUE WHEELS

(RU135c/RU135g/RU153b/RU135hh)



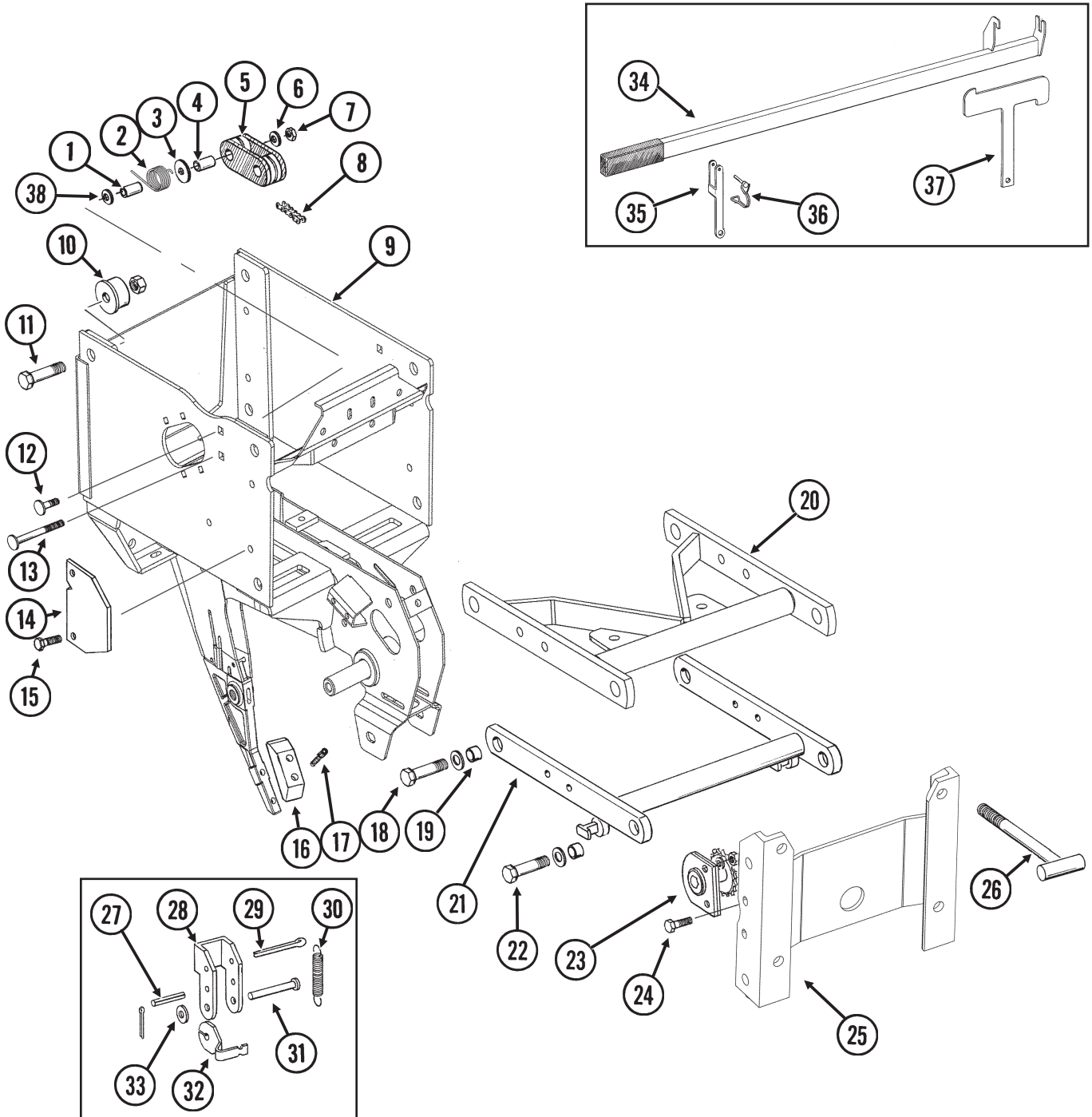
FRAME MOUNTED COULTER W/RESIDUE WHEELS

ITEM	PART NO.	QTY. (Per Row)	DESCRIPTION
1.	G11010	2	Hex Head Cap Screw, 3/4"-10 x 12"
2.	GA9844	1	Plate W/Angle
3.	G10039	4	Hex Head Cap Screw, 1/2"-13 x 1 3/4"
4.	GA9131	1	Coulter Frame
5.	G10007	4	Hex Head Cap Screw, 5/8"-11 x 1 1/2"
	G10107	4	Lock Nut, 5/8"-11
6.	G10400	1	Hex Head Cap Screw, 3/4"-10 x 6 1/2"
	G10112	1	Lock Nut, 3/4"-10
7.	GD12826	1	Spring Anchor Bar
8.	G10574	4	Carriage Bolt, 1/2"-13 x 1 1/4"
	G10111	4	Lock Nut, 1/2"-13
9.	GD12827	2	Adapter
10.	GA8641	1	Hub W/Bearing And Retaining Ring
	GA8603	1	Bearing, Double Row
	GD11652	1	Retaining Ring, 2 7/16"
11.	GD7803	1	Disc Blade, Fluted, 1", 8 Flutes (Shown)
	GD7804	-	Disc Blade, Bubbled, 1"
	GD9254	-	Disc Blade, Fluted, 3/4", 13 Flutes
12.	GB0213	2	Spring Seat
13.	GD12817	2	Compression Spring
14.	GD12829	1	Sleeve
15.	G10046	1	Hex Head Cap Screw, 5/8"-11 x 5"
	G10107	1	Lock Nut, 5/8"-11
16.	GA9845	1	Coulter Arm W/Grease Fitting
	G10643	-	Grease Fitting, 45°, 1/4"-28
17.	G10011	1	Hex Head Cap Screw, 5/8"-11 x 5 1/2"
	G10107	1	Lock Nut, 5/8"-11
18.	GB0218	3	Bushing, 2 1/32" I.D. x 7/8" O.D. x 1 9/32" Long
19.	GD1132	2	Dust Cap
20.	G10010	2	Hex Head Cap Screw, 5/8"-11 x 3"
	G10503	2	Hex Jam Nut, 5/8"-11, Grade 2
21.	GB0386	2	Wheel, 12 Tine, 3/8" x 12"
22.	GA5654	2	Hub W/Bearings
	GA2014	-	Bearing
23.	GD9724	2	Backing Plate
24.	G10133	12	Hex Head Cap Screw, 5/16"-18 x 1 1/2"
	G10109	12	Lock Nut, 5/16"-18, Grade 8
25.	G10213	2	Machine Bushing, 5/8" (.030" Thick)
26.	GA9862	2	Weed Guard W/Spring Pin
	G10765	-	Spring Pin, 1/4" x 1"
27.	GA9865	1	Mount
28.	GA9861	1	Cam
29.	GD10519	1	Spring
30.	G10974	1	Lock Nut W/Nylon Insert, 1/2"-13
31.	G10005	1	Hex Head Cap Screw, 5/8"-11 x 1 3/4"
	G10107	4	Lock Nut, 5/8"-11
32.	GA9864	1	Support
33.	G10014	1	Hex Head Cap Screw, 1/2"-13 x 1"
	G10102	1	Hex Nut, 1/2"-13
34.	G10011	2	Hex Head Cap Screw, 5/8"-11 x 5 1/2"
	G10205	2	Washer, 5/8" SAE
	G10730	2	Lock Nut W/Nylon Insert, 5/8"-11
35.	GD14170	2	Sleeve, 3"
A.	GA12236	-	Wheel Assembly, 12 Tine, R.H. (Items 21, 22, 23, And 24) (Shown)
	GA12235	-	Wheel Assembly, 12 Tine, L.H. (Items 21, 22, 23, And 24)

INTERPLANT® PUSH ROW UNIT

(RU156c/R141h)

NOTE: Push row units use the same seed tube, row unit depth adjustment components, quick adjustable down force springs, 15" opener disc blades, gauge wheels, closing wheels, meter drive and seed hopper as the pull row unit. See those pages for common parts.



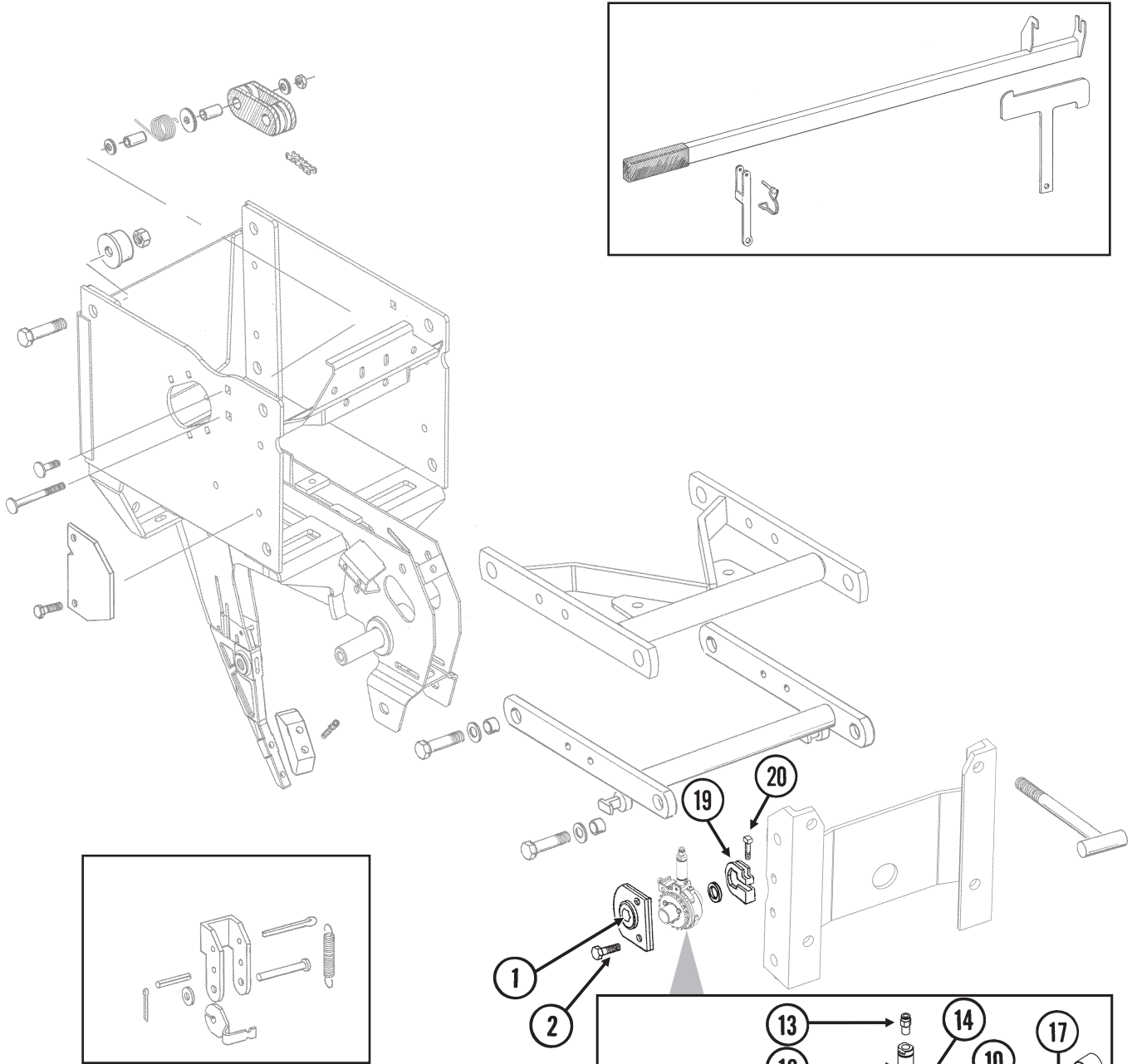
INTERPLANT® PUSH ROW UNIT

ITEM	PART NO.	QTY. (Per Row)	DESCRIPTION
1.	GD1026	1	Sleeve, 1 3/16" Long
2.	GD11218	1	Spring
3.	G10201	1	Special Washer, 3/8" x 1 1/2" O.D.
4.	GD8893-01	1	Sleeve, 1 3/8" Long
5.	GD11962	1	Idler
6.	G10210	1	Washer, 3/8" USS
7.	G10108	1	Lock Nut, 3/8"-16
8.	G3303-96	1	Chain, No. 41, 96 Pitch Including Connector Link
	GR0196	1	Connector Link, No. 41
9.	GA10161	-	Push Row Unit Shank
10.	GB0314	2	Hopper Mount
11.	G10751	2	Hex Head Cap Screw, 5/8"-18 x 1 3/4"
	G10412	2	Lock Nut, 5/8"-18
12.	G10599	1	Carriage Bolt, 3/8"-16 x 1 1/4"
	G10101	1	Hex Nut, 3/8"-16
	G10108	1	Lock Nut, 3/8"-16
13.	G10307	1	Carriage Bolt, 3/8"-16 x 3 1/2"
14.	GD10867	2	Stop
15.	G10004	4	Hex Head Cap Screw, 3/8"-16 x 1 1/4"
	G10108	4	Lock Nut, 3/8"-16
16.	GB0301	1	Seed Tube Guard/Inner Scraper
17.	G10912	2	Hex Socket Head Cap Screw, 5/16"-18 x 1", Grade 8
18.	G10751	4	Hex Head Cap Screw, 5/8"-18 x 1 3/4"
	GD7805	4	Special Washer, 5/8", Hardened
	G10412	4	Lock Nut, 5/8"-18
19.	GB0218	8	Bushing, 2 1/32" I.D. x 7/8" O.D. x 1 9/32" Long
20.	GA11969	1	Upper Arm
21.	GA5787	1	Lower Arm
22.	G10732	4	Hex Head Cap Screw, 5/8"-18 x 2"
	GD7805	4	Special Washer, 5/8", Hardened
	G10412	4	Lock Nut, 5/8"-18
23.	GA1720	1	Bearing/Sprocket, 7/8" Hex Bore
24.	G10004	2	Hex Head Cap Screw, 3/8"-16 x 1 1/4"
	G10229	2	Lock Washer, 3/8"
	G10101	2	Hex Nut, 3/8"-16
25.	GA11971	1	Mounting Plate
26.	GA9105	-	T-Bolt, 5/8"-11 x 6"
	G10230	-	Lock Washer, 5/8"
	G10104	-	Hex Nut, 5/8"-11
27.	G10718	2	Spring Pin, 5/16" x 1 1/8"
28.	GD11264	2	Lockup
29.	G10463	2	Cotter Pin, 1/4" x 1 1/2"
30.	GD11447	2	Spring
31.	G10284	2	Clevis Pin, 1/2" x 1 1/2"
	G10456	2	Cotter Pin, 1/8" x 3/4"
32.	GD11263	2	Spring Tab
33.	G10216	2	Washer, 1/2" USS
34.	GA8651	1	Lift Lever W/Boot
	GD11649	-	Boot
35.	GD18073	1	Bracket (Lift Lever)
36.	GD9695	1	Wire Lock Pin, 1/4" x 1 3/4"
37.	GD18074	1	Mount
38.	G10203	1	Washer, 3/8" SAE

INTERPLANT® PUSH ROW UNIT, AIR CLUTCH PACKAGE

(RU156d/RU141h/RU164a)

NOTE: Push row units use the same seed tube, row unit depth adjustment components, quick adjustable down force springs, 15" opener disc blades, gauge wheels, closing wheels, meter drive and seed hopper as the pull row unit. See those pages for common parts.



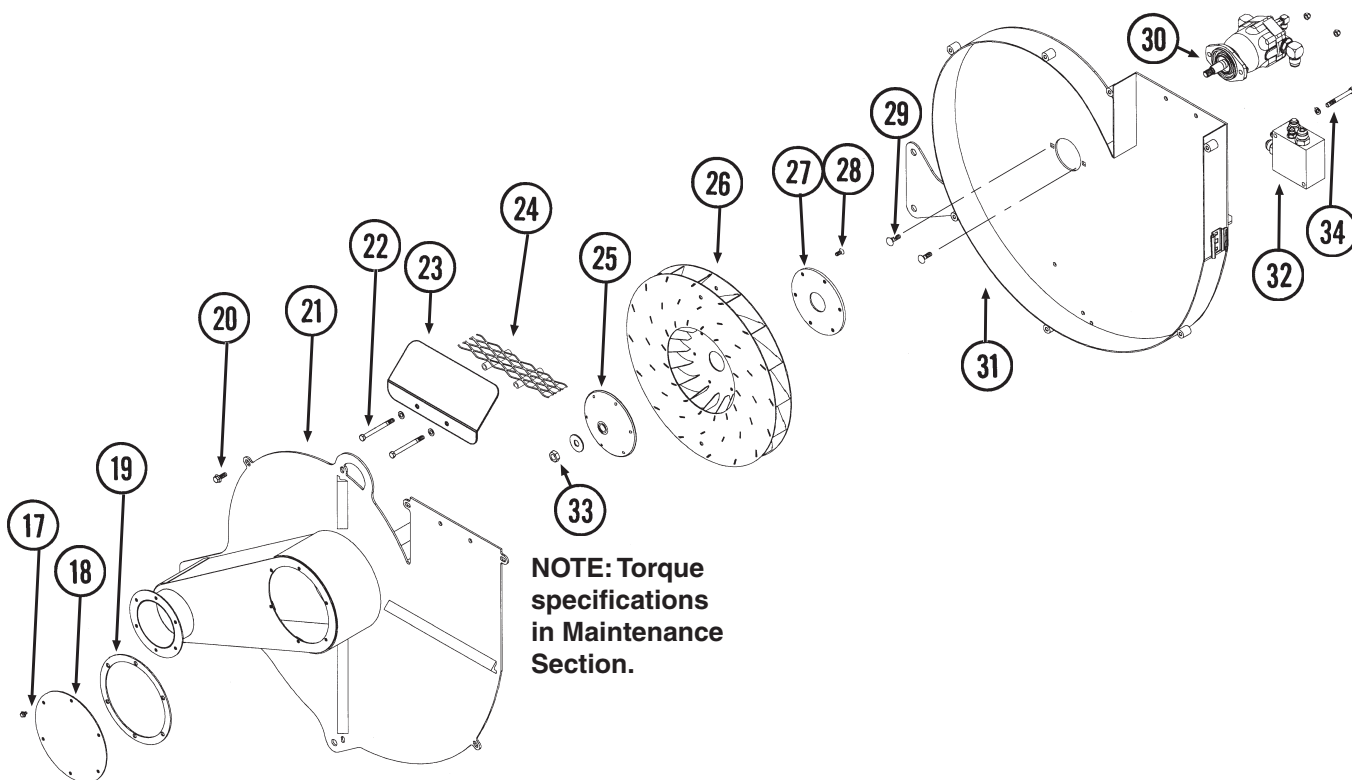
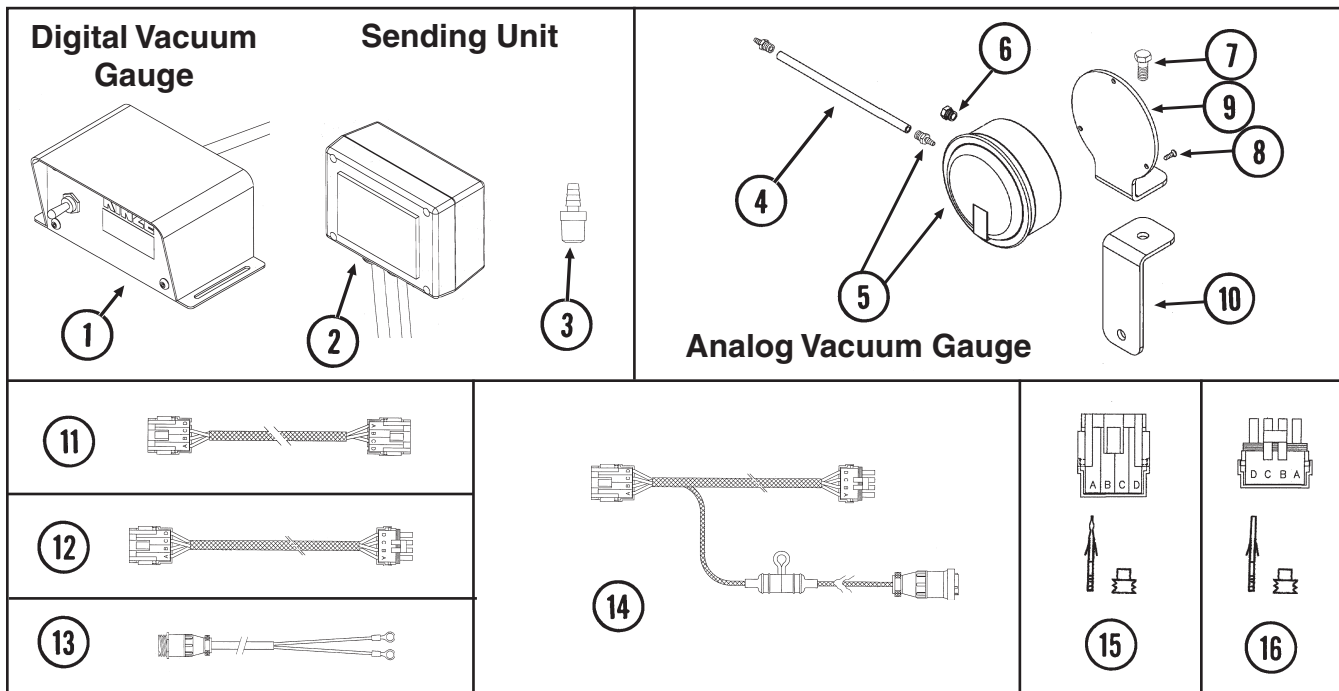
NOTE: Items that are not referenced on this page may be referenced on pages P38 and P39.

INTERPLANT® PUSH ROW UNIT, AIR CLUTCH PACKAGE

ITEM	PART NO.	QTY. (Per Row)	DESCRIPTION
1.	GA2180	-	Hanger Bearing, 7/8" Hex Bore
2.	G10004	2	Hex Head Cap Screw, 3/8"-16 x 1 1/4"
	G10229	2	Lock Washer, 3/8"
	G10101	2	Hex Nut, 3/8"-16
3.	G11243	1	Slotted Flat Head Machine Screw, No. 8-32 x 1/2", Stainless Steel
4.	GR1894	1	Air Housing Cover
5.	GR1830	1	Hex Bushing
6.	GR1818	1	Ratchet Gear
7.	GR1813	1	Clutch Spring
8.	GR1829	1	Sprocket Hub
9.	GR1899	1	Anti-Rotation
10.	G11296	2	Pan Head Machine Screw, 1/4"-20 x 3/4" x 3/4"
11.	GR1895	1	Air Clutch Housing
12.	GR1896	1	Air Cylinder
13.	GR1819	1	Push Connect, 1/8" NPT Male x 1/4"
14.	GR1898	1	Filter
15.	G11295	1	Retaining Ring
16.	GR1831	1	Sprocket, 19 Tooth
17.	G11239	3	Hex Head Cap Screw, 10-32 x 1/2"
18.	GD18891	1	Spacer, 1 1/4" O.D. x 1"
19.	GD11045	-	Lock Clamp
20.	G10130	-	Square Head Machine Bolt, 5/16"-18 x 1 3/4"
	G10923	-	Flange Nut, 5/16"-18, No Serration
A.	GA12630	-	Air Clutch Assembly, (Items 3-18)

DIGITAL VACUUM GAUGE, ANALOG VACUUM GAUGE AND VACUUM FAN ASSEMBLY

(A11154/A11156/GR1736/A10765/A11158/A11699/A7856/A11155/A8329/METR68)

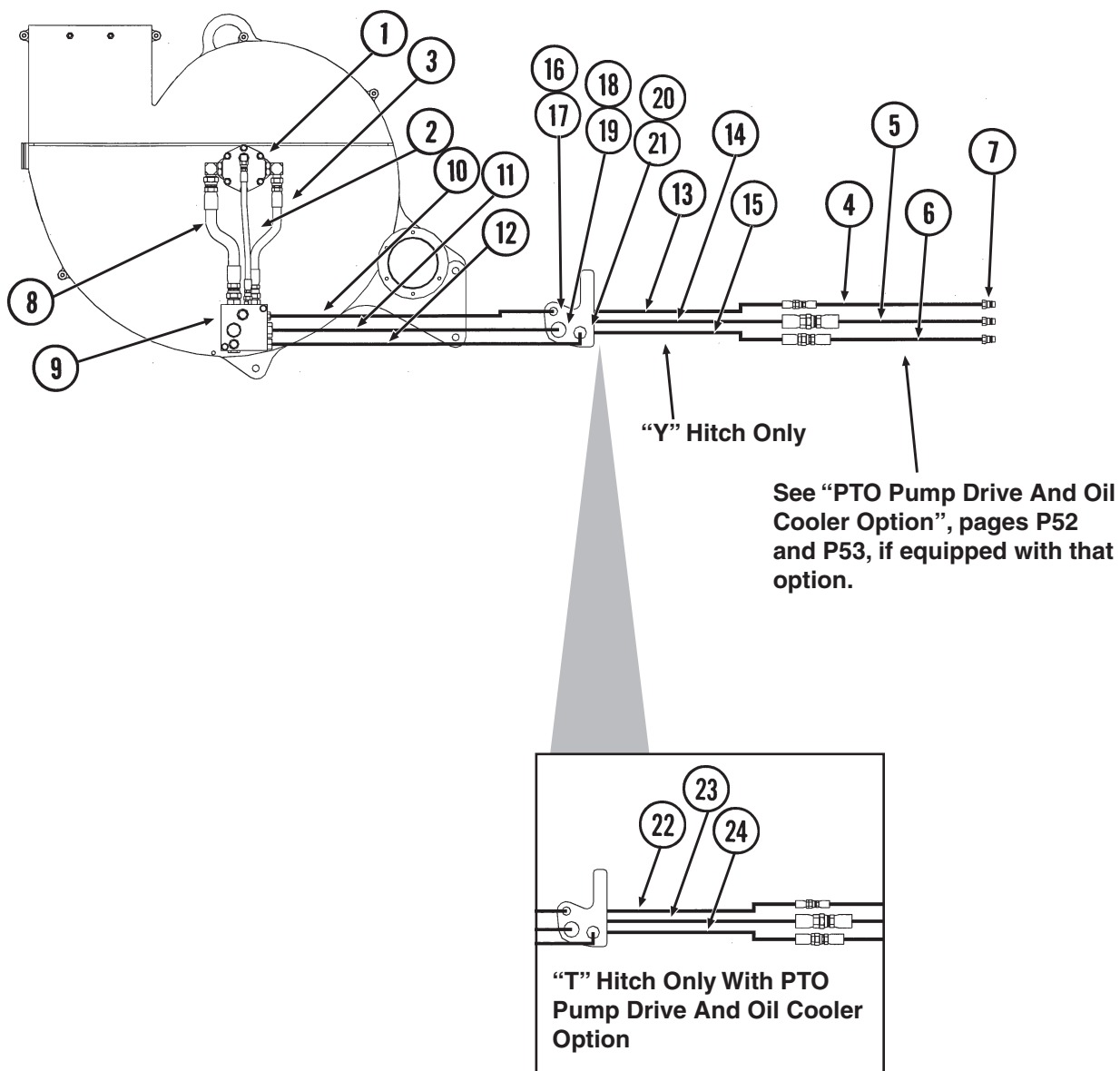


DIGITAL VACUUM GAUGE, ANALOG VACUUM GAUGE AND VACUUM FAN ASSEMBLY

ITEM	PART NO.	QTY.	DESCRIPTION
1.	GA11154	1	Digital Vacuum Gauge W/4-Pin Connector
2.	GA11156	1	Sending Unit W/1/4" Tubing And Harness W/4-Pin Male Connector
	GD16324-01	-	Clear Plastic Tubing, 1/4" x 45"
	GA9964	-	Strain Relief
3.	GR1736	1	Hose Barb, 1/8" Male NPT To Barb
4.	GD15849-02	1	Clear Tubing, 5/16" O.D. x 3/16" I.D. x 120"
5.	GA10765	1	Analog Vacuum Gauge W/Hose Barb
	GR1777	-	Hose Barb, 1/8" Male NPT To 3/16" Barb
6.	GA10799	1	Breather, 1/8" Male NPT
7.	G10001	1	Hex Head Cap Screw, 3/8"-16 x 1"
	G10108	1	Lock Nut, 3/8"-16
8.	G11215	3	Hex Socket Head Cap Screw, No. 6-32 x 3/8", Grade 8
9.	GD15804	1	Mount
10.	GD15803	1	Support
11.	GA11159	1	Harness, 550", 8 Row 36"/38" And 12 Row 30"
	GA11160	-	Harness, 670", 12 Row 36"/38" And 16 Row 30"
12.	GA11699	-	Extension Harness, 180"
13.	GA7856	-	Power Lead Adapter
14.	GA11155	1	Harness W/Fuse Holder And Fuse, 132"
	GD14258	-	Fuse Holder
	GD14660	-	Fuse, 2 Amp Delay Action
	G1K268	-	Console Cable Connector Kit, Includes: (1) 3-Pin Connector, (1) Cable Clamp, (1) Lock Ring, (3) Female Terminal Pins
15.	GA8328	-	4-Pin Female Connector Kit, Includes: (1) 4-Pin Female Housing, (4) Pin Contacts, (4) Seals
16.	GA8329	-	4-Pin Male Connector Kit, includes: (1) 4-Pin Male Housing, (4) Sockets, (4) Seals
17.	G11166	6	Whiz Lock Bolt, 1/4"-20 x 3/4"
18.	GD16233	1	Manifold
19.	GD16241	1	Gasket
20.	G11124	7	Whiz Lock Bolt, 3/8"-18 x 1"
21.	GA11086	1	Cover
22.	G10063	2	Hex Head Cap Screw, 3/8"-16 x 4"
	G10203	2	Washer, 3/8" SAE
	G10108	2	Lock Nut, 3/8"-16
23.	GD15863	1	Discharge Deflector
24.	GA11987	2	Screen
25.	GD15790	1	Hub
26.	GA10635	1	Impeller
27.	GD15789	1	Backing Plate
28.	G11133	6	Hex Socket Head Cap Screw, 5/16"-18 x 3/4", Grade 8
29.	G10599	2	Carriage Bolt, 3/8"-16 x 1 1/4"
	G10229	2	Lock Washer, 3/8"
	G10101	2	Hex Nut, 3/8"-16
30.		-	See "Vacuum Fan Hydraulic Motor Assembly", Page P48
31.	GA11085	1	Shroud
32.		-	See "Vacuum Fan Motor Valve Block Assembly (Located Below Vacuum Fan Assembly)", Page P49
33.	G10205	1	Washer, 5/8" SAE
	G10499	1	Hex Jam Nut, 5/8"-18, Grade 2
34.	G10809	2	Hex Head Cap Screw, 3/8"-16 x 3 1/4"
	G10229	2	Lock Washer, 3/8"
A.	GA11087	-	Vacuum Fan Assembly (Items 17-34 On This Page And Items 1-3, 8 And 9 On Pages P42 And P43)

VACUUM FAN HYDRAULIC COMPONENTS

(PLTR176)



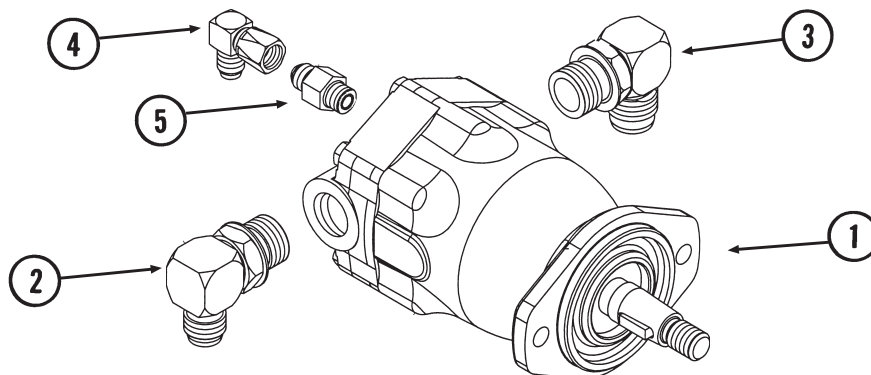
VACUUM FAN HYDRAULIC COMPONENTS

ITEM	PART NO.	QTY.	DESCRIPTION
1.		-	See "Vacuum Fan Hydraulic Motor Assembly", Page P48
2.	*A12015	1	Hose Assembly, 3/8" x 17"
3.	*A8261	1	Hose Assembly, 1/2" x 13 1/2"
4.	*A12025	1	Hose Assembly, 3/8" x 174", 8 Row 36"/38" "Y" Hitch
	*A12023	-	Hose Assembly, 3/8" x 218", 12 Row 30", "Y" Hitch
	*A12022	-	Hose Assembly, 3/8" x 268", 16 Row 30" "Y" Hitch
	*A12019	-	Hose Assembly, 3/8" x 322", 12 Row 30" "T" Hitch
5.	*A3359	1	Hose Assembly, 3/4" x 174", 8 Row 36"/38" "Y" Hitch
	*A3357	-	Hose Assembly, 3/4" x 218", 12 Row 30" "Y" Hitch
	*A3358	-	Hose Assembly, 3/4" x 268", 16 Row 30" "Y" Hitch
	*A3361	-	Hose Assembly, 3/4" x 322", 12 Row 30" "T" Hitch
6.	*A1476	1	Hose Assembly, 1/2" x 173", 8 Row 36"/38" "Y" Hitch
	*A8265	-	Hose Assembly, 1/2" x 218", 12 Row 30", "Y" Hitch
	*A8266	-	Hose Assembly, 1/2" x 268", 16 Row 30" "Y" Hitch
	*A8269	-	Hose Assembly, 1/2" x 322", 12 Row 30" "T" Hitch
7.	GD4086	3	ISO Coupler
8.	*A3352	1	Hose Assembly, 3/4" x 13 1/2"
9.		-	See "Vacuum Fan Motor Valve Block Assembly (Located Below Vacuum Fan Motor Assembly)", Page P49
10.	*A12017	1	Hose Assembly, 3/8" x 120"
11.	*A3354	1	Hose Assembly, 3/4" x 120"
12.	*A1467	1	Hose Assembly, 1/2" x 120"
13.	*A12024	1	Hose Assembly, 3/8" x 100", 8 Row 36"/38" And 12 Row 30"
	*A12021	-	Hose Assembly, 3/8" x 110", 16 Row 30"
14.	*A3355	1	Hose Assembly, 3/4" x 100", 8 Row 36"/38" And 12 Row 30"
	*A3356	-	Hose Assembly, 3/4" x 110", 16 Row 30"
15.	*A8253	1	Hose Assembly, 1/2" x 100", 8 Row 36"/38" And 12 Row 30"
	*A8263	-	Hose Assembly, 1/2" x 110", 16 Row 30"
16.	G306-06	1	Lock Nut, 9/16"-18
17.	G2700-06-06	1	Bulkhead Tube Union, 9/16"-18 Male JIC
18.	G306-12	1	Lock Nut, 1 1/16"-12
19.	G2700-12	1	Bulkhead Tube Union, 1 1/16"-12 Male JIC
20.	G306-10	1	Lock Nut, 7/8"-14
21.	G2700-10	1	Bulkhead Tube Union, 7/8"-14 Male JIC
22.	*A12035	1	Hose Assembly, 3/8" x 108", 8 Row 36"/38"
	*A12036	-	Hose Assembly, 3/8" x 104", 12 Row 30"
	*A12037	-	Hose Assembly, 3/8" x 118", 16 Row 30"
23.	*A3376	1	Hose Assembly, 3/4" x 108", 8 Row 36"/38"
	*A3377	-	Hose Assembly, 3/4" x 104", 12 Row 30"
	*A3378	-	Hose Assembly, 3/4" x 118", 16 Row 30"
24.	*A8209	1	Hose Assembly, 1/2" x 108", 8 Row 36"/38"
	*A8284	-	Hose Assembly, 1/2" x 104", 12 Row 30"
	*A8285	-	Hose Assembly, 1/2" x 118", 16 Row 30"

* Hydraulic hose is not stocked by KINZE® Repair Parts, but can be made available on a special order basis. Call for quote.

VACUUM FAN HYDRAULIC MOTOR ASSEMBLY

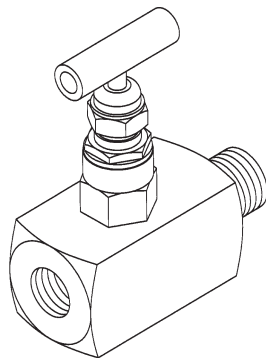
(METR21a)



ITEM	PART NO.	QTY.	DESCRIPTION
1.	GA10149 GR1734	1 -	Hydraulic Motor Seal Kit
2.	G6801-10-12 GR1467	1 -	Elbow W/O-Ring, 90°, 7/8"-14 Male JIC To 1 1/16"-12 O-Ring O-Ring
3.	G6801-12 GR1467	1 -	Elbow W/O-Ring, 90°, 1 1/16"-12 Male JIC To O-Ring O-Ring
4.	G6500-06	1	Swivel Elbow, 90°, 9/16"-18 Male JIC To Female
5.	G6400-06 GR1045	1 -	Connector W/O-Ring, 9/16"-18 Male JIC To O-Ring O-Ring

OPTIONAL FLOW CONTROL NEEDLE VALVE KIT

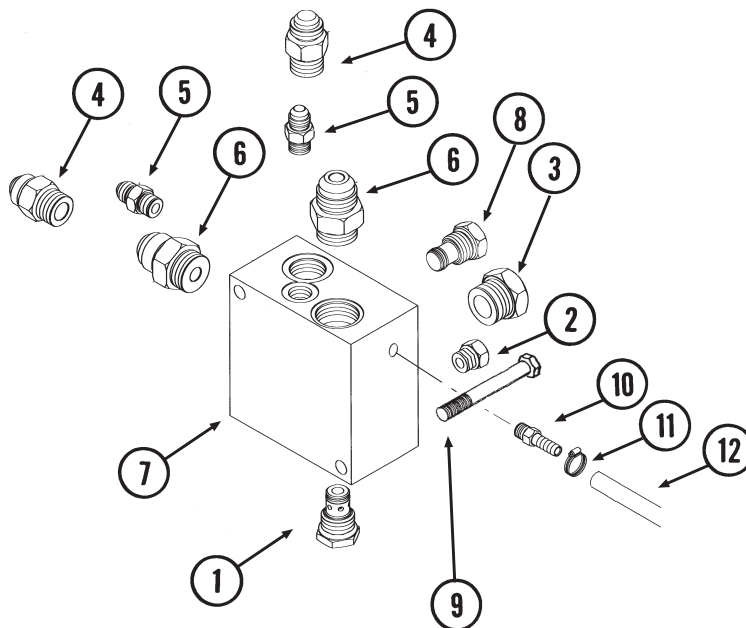
(A11650)



ITEM	PART NO.	QTY.	DESCRIPTION
1.	G1K426	-	Needle Valve Kit W/Instructions

VACUUM FAN MOTOR VALVE BLOCK ASSEMBLY (Located Below Vacuum Fan Motor Assembly)

(A11068d)

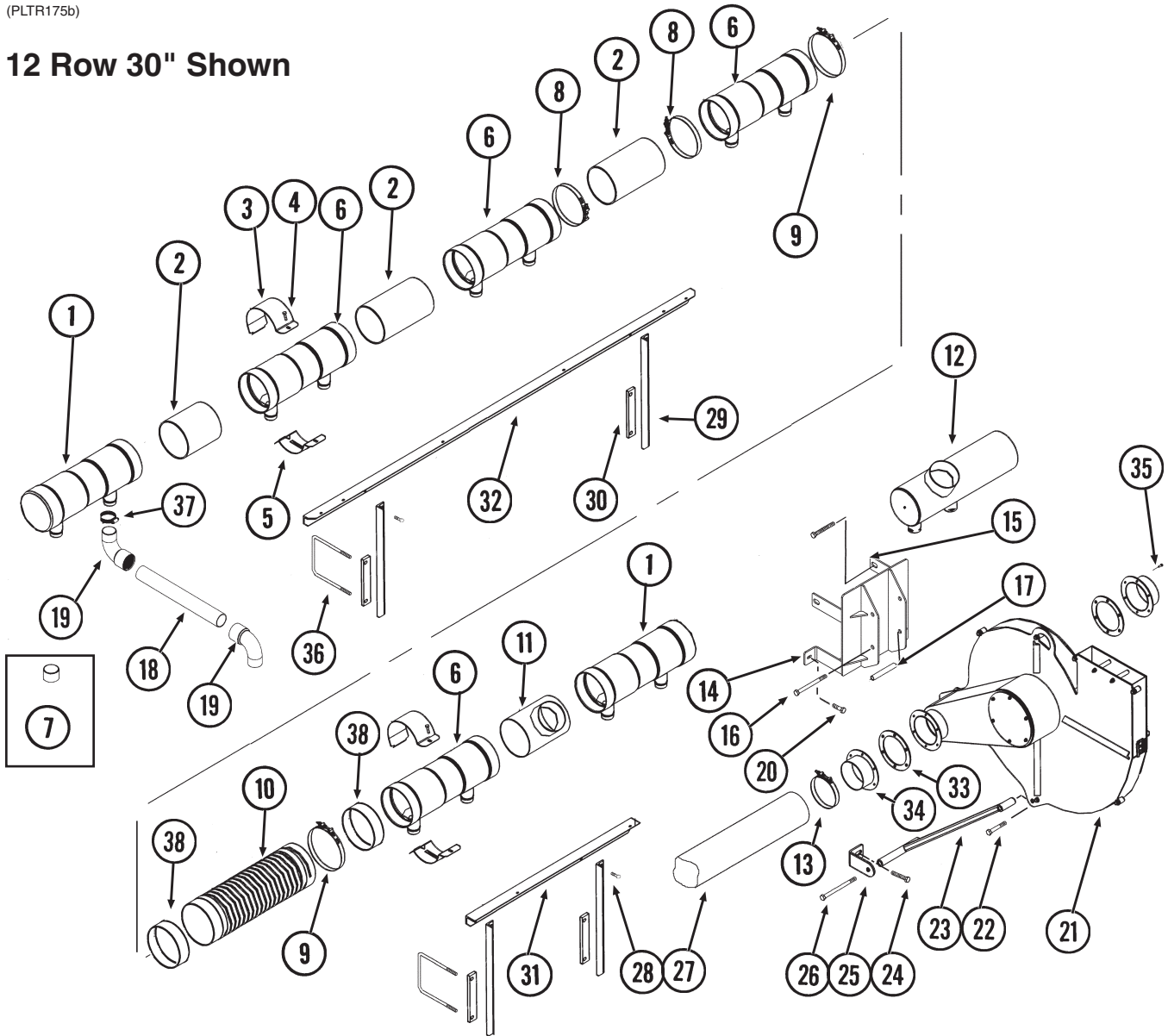


ITEM	PART NO.	QTY.	DESCRIPTION
1.	GA4293	1	Check Valve
2.	G6408-06	1	Plug W/O-Ring, 1/16"-18 O-Ring
	GR1045	-	O-Ring
3.	G6408-12	1	Plug W/O-Ring, 1 1/16"-12 O-Ring
	GR1467	-	O-Ring
4.	G6400-10	2	Connector W/O-Ring, 7/8"-14 Male JIC To O-Ring
	GR1466	-	O-Ring
5.	G6400-06	2	Connector W/O-Ring, 1/16"-18 Male JIC To O-Ring
	GR1045	-	O-Ring
6.	G6400-12	2	Connector W/O-Ring, 1 1/16"-12 Male JIC To O-Ring
	GR1467	-	O-Ring
7.	GD16188	1	Valve Block
8.	GA11934	1	Relief Valve Cartridge
9.	G10809	2	Hex Head Cap Screw, 3/8"-16 x 3 1/4"
	G10229	2	Lock Washer, 3/8"
10.	GD11700	1	Adapter, 1/4" NPT To 3/8" Barb
11.	G10681	1	Hose Clamp, No. 6
12.	GD6279-05	1	Clear Plastic Tubing, 1/16" O.D. x 60"

MANIFOLDS AND DISTRIBUTION HOSES

(PLTR175b)

12 Row 30" Shown



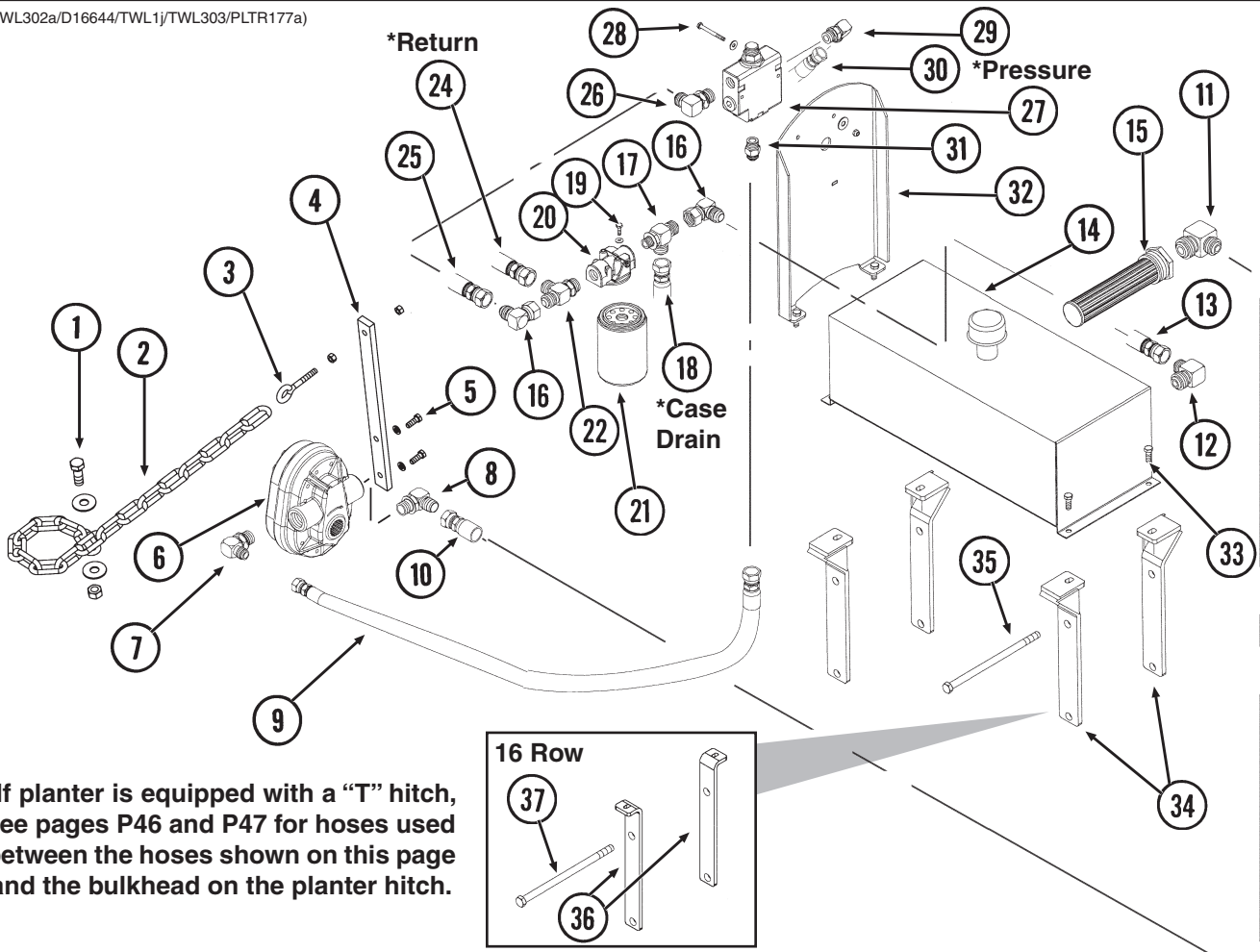
ITEM	PART NO.	QTY.	DESCRIPTION
1.	GD15850	3	Manifold, 21" (Open One End)
2.	GD15856-03	2	Pipe, 6" x 11", 8 Row 36"/38"
	GD15856-04	2	Pipe, 6" x 6", 12 Row 30"
	GD15856-03	4	Pipe, 6" x 11", 12 Row 30"
	GD15856-03	10	Pipe, 6" x 11", 16 Row 30"
3.	GD15854	7-15	Clamp
4.	G10312	7-15	Carriage Bolt, 5/16"-18 x 3/4"
	G10620	7-15	Serrated Flange Nut, 5/16"-18
5.	GA11164	7-15	Mount
6.	GD15799	4-12	Manifold, 21" (Open Both Ends)
7.	G11147	-	Cap, 2"
8.	G11145	7-23	T-Bolt Clamp, 7"
9.	G11194	4	T-Bolt Clamp, 7 1/4"
10.	GD16317-01	2	Hose, 7" x 21"
11.	GA12259	1	Manifold, 33 1/4", 8 Row 36"/38"
	GA12249	1	Manifold, 21 3/4", 12 Row 30" And 16 Row 30"

MANIFOLDS AND DISTRIBUTION HOSES

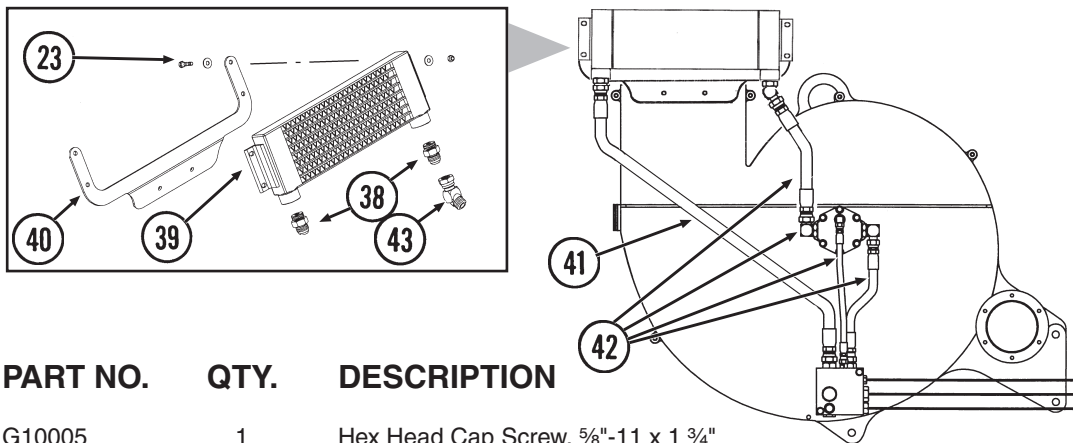
ITEM	PART NO.	QTY.	DESCRIPTION
12.	GA11203	1	Manifold, 33 ⁷ / ₁₆ ", 8 Row 36"/38"
	GA11166	1	Manifold, 21 ¹⁵ / ₁₆ ", 12 Row 30" And 16 Row 30"
13.	G11188	4	T-Bolt Clamp, 5 ¹ / ₄ "
14.	GA11119	1	Fan Mount
15.	G10543	2	Hex Head Cap Screw, ³ / ₄ "-10 x 3", Full Thread
	G10218	2	Washer, ³ / ₄ " USS
	G10105	2	Hex Nut, ³ / ₄ "-10
16.	G10830	2	Hex Head Cap Screw, ⁵ / ₈ "-11 x 7 ¹ / ₂ "
	G10230	2	Lock Washer, ⁵ / ₈ "
	G10104	2	Hex Nut, ⁵ / ₈ "-11
17.	GD3180-27	2	Sleeve, ⁵ / ₈ " I.D. x ⁷ / ₈ " O.D. x 5 ³ / ₄ " Long
	GD3777-10	2	Sleeve, 1 ³ / ₄ " x 3 ¹ / ₈ "
	GD3777-11	2	Sleeve, 1 ³ / ₄ " x 2 ¹ / ₂ "
18.	GD15792-13	-	Hose, 2" x 50" (Pull Row Unit And Even-Row Push Row Unit)
	GD15792-05	-	Hose, 2" x 38" (Push Row Unit)
	GD15792-12	-	Hose, 2" x 44" (Push Row Unit)
	GD15792-06	-	Hose, 2" x 42" (Push Row Unit)
19.	GD14626	16-32	Elbow, 90°, 2"
20.	G10003	2	Hex Head Cap Screw, ³ / ₈ "-16 x 1 ¹ / ₂ "
	G10210	3	Washer, ³ / ₈ " USS
	G10229	2	Lock Washer, ³ / ₈ "
	G10101	2	Hex Nut, ³ / ₈ "-16
21.		-	See "Digital Vacuum Gauge, Analog Vacuum Gauge And Vacuum Fan Assembly", Pages P44 And P45
22.	G10318	1	Hex Head Cap Screw, ⁵ / ₈ "-11 x 4 ¹ / ₂ "
	G10230	2	Lock Washer, ⁵ / ₈ "
	G10104	2	Hex Nut, ⁵ / ₈ "-11
23.	GA11152	1	Fan Strut
24.	G10543	2	Hex Head Cap Screw, ³ / ₄ "-10 x 3", Full Thread
	G10105	2	Hex Nut, ³ / ₄ "-10
25.	GD16295	2	Support
26.	G10953	1	Hex Head Cap Screw, ⁵ / ₈ "-11 x 10"
	G10218	2	Washer, ³ / ₄ " USS
	G10230	1	Lock Washer, ⁵ / ₈ "
	G10104	1	Hex Nut, ⁵ / ₈ "-11
27.	GD15867-02	2	Hose, 5" x 48"
28.	G10019	24-36	Hex Head Cap Screw, ⁵ / ₁₆ "-18 x 1"
	G10232	24-36	Lock Washer, ⁵ / ₁₆ "
	G10106	24-36	Hex Nut, ⁵ / ₁₆ "-18
29.	GD16315	8-10	Support, 21 ¹ / ₂ "
30.	GD16316	8-10	Spacer, 1 ¹ / ₂ " x 9"
31.	GD16307	1	Manifold Rail, 37 ¹ / ₂ ", L.H. Main Frame, 12 Row 30" And 16 Row 30"
	GD16306	1	Manifold Rail, 36 ¹ / ₂ ", R.H. Main Frame, 12 Row 30" And 16 Row 30"
	GD16359	1	Manifold Rail, 47 ³ / ₄ ", L.H. Main Frame, 8 Row 36"/38" And 12 Row 36"/38"
	GD16360	1	Manifold Rail, 47 ³ / ₄ ", R.H. Wing, 8 Row 36"/38" And 12 Row 36"/38"
32.	GD16360	1	Manifold Rail, 47 ³ / ₄ ", R.H. Wing, 8 Row 36"/38"
	GD16359	1	Manifold Rail, 47 ³ / ₄ ", L.H. Wing, 8 Row 36"/38"
	GD16305	2	Manifold Rail, 87 ¹ / ₂ ", L.H. And R.H. Wing, 12 Row 30"
	GD16319	2	Manifold Rail, 142 ¹ / ₂ ", L.H. And R.H. Wing, 16 Row 30"
33.	GD16251	2	Gasket
34.	GA11153	2	Outlet, 5"
35.	G10023	12	Hex Head Cap Screw, ¹ / ₄ "-20 x ³ / ₄ "
	G10110	12	Lock Nut, ¹ / ₄ "-20, Grade B
36.	GD11721	8-10	U-Bolt, 5" x 7" x ¹ / ₂ "-13
	G10228	16-20	Lock Washer, ¹ / ₂ "
	G10102	16-20	Hex Nut, ¹ / ₂ "-13
37.	G10676	-	Hose Clamp, No. 36, Stainless Steel
38.	GD16194-01	-	Tube, 6 ⁵ / ₈ " x 2"

PTO PUMP DRIVE AND OIL COOLER OPTION

(TWL302a/D16644/TWL1j/TWL303/PLTR177a)



***If planter is equipped with a "T" hitch, see pages P46 and P47 for hoses used between the hoses shown on this page and the bulkhead on the planter hitch.**



ITEM	PART NO.	QTY.	DESCRIPTION
1.	G10005	1	Hex Head Cap Screw, 5/8"-11 x 1 3/4"
	G10217	2	Washer, 5/8" USS
	G10107	1	Lock Nut, 5/8"-11
2.	G3302-09	1	Coil Chain, No. 9/0, 17 Links
3.	GD16035	1	Eyebolt, 3/8"-16 x 4"
	G10101	2	Hex Nut, 3/8"-16
4.	GD16036	1	Anti-Rotation Bracket
5.	G10001	2	Hex Head Cap Screw, 3/8"-16 x 1"
	G10229	2	Lock Washer, 3/8"
6.	GA10919	1	PTO Pump
7.	G6801-10-12	1	Elbow W/O-Ring, 90°, 7/8"-14 Male JIC To 1 1/16"-12 O-Ring
	GR1467	-	O-Ring
8.	G6801-16	1	Elbow W/O-Ring, 90°, 1 5/16"-12 Female JIC To O-Ring
	GR1786	-	O-Ring

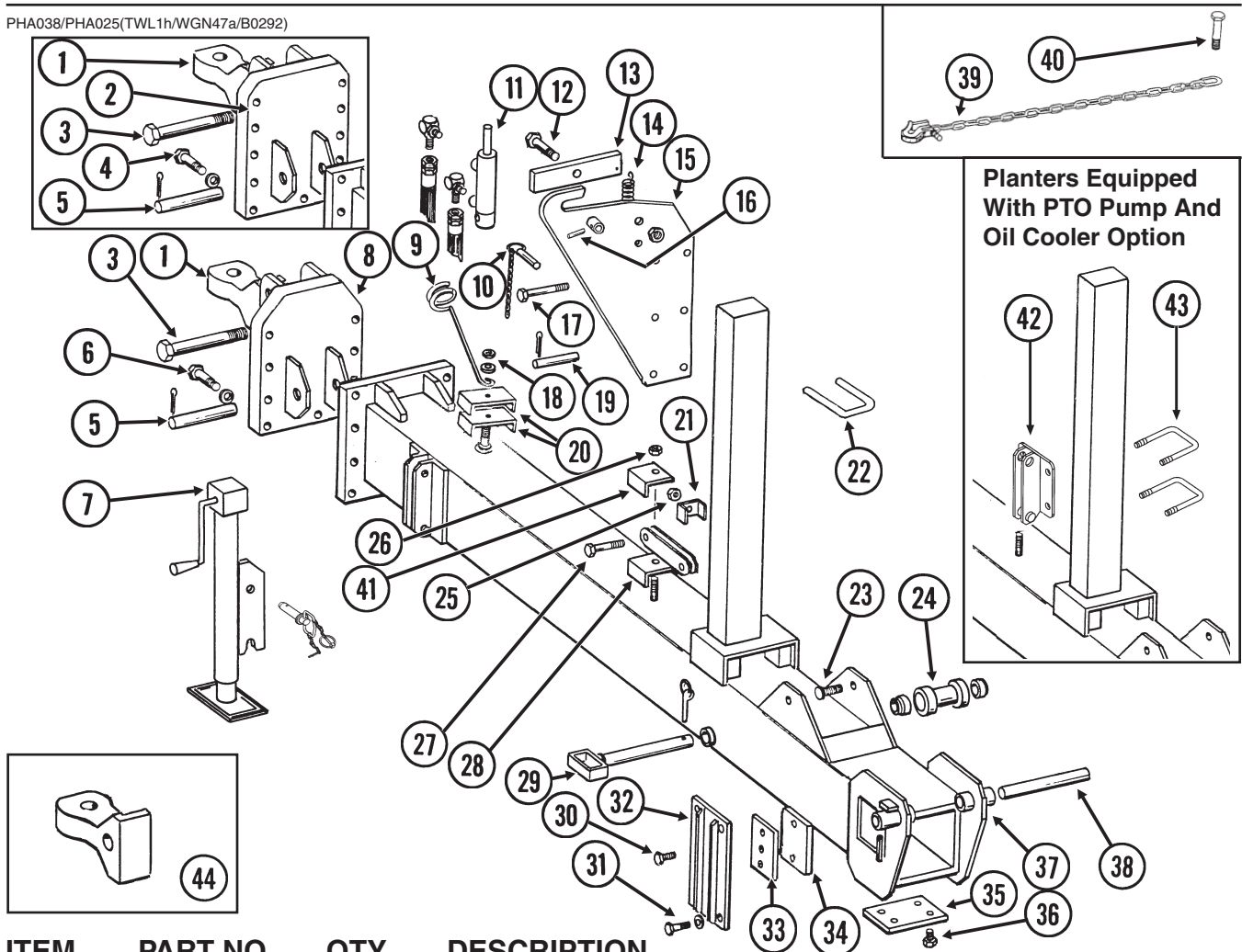
PTO PUMP DRIVE AND OIL COOLER OPTION

ITEM	PART NO.	QTY.	DESCRIPTION
9.	*A1464	1	Hose Assembly, 1/2" x 72"
10.	*A6201	1	Hose Assembly, 1" x 72"
11.	G2501-16-20	1	Elbow, 90°, 1 5/16"-12 Male JIC To 1 1/4" NPT
12.	G2501-12-16	1	Elbow, 90°, 1 1/16"-12 Male JIC To 1" NPT
13.	*A3371	1	Hose Assembly, 3/4" x 25"
14.	GA12802	1	Reservoir W/Breather, 10 Gallon
	GR1834	-	Breather
15.	GD16040	1	Strainer
16.	G6500-12	2	Swivel Elbow, 90°, 1 1/16"-12 Male JIC To Female
17.	G6804-12-12-08	1	Adjustable Tee W/O-Ring, 1 1/16"-12 Male JIC To 1 1/16"-12 Male O-Ring To 3/4"-16
	GR1467	-	O-Ring
18.	*A3281	1	Hose Assembly, 3/8" x 115", 8 Row 36"/38"
	*A3282	-	Hose Assembly, 3/8" x 158", 12 Row 30"
	*A3283	-	Hose Assembly, 3/8" x 108", 16 Row 30"
19.	G10023	2	Hex Head Cap Screw, 1/4"-20 x 3/4"
	G10227	2	Lock Washer, 1/4"
20.	GD16038	1	Filter Head
21.	GD16037	1	Oil Filter, 10 Micron
22.	G6804-12	1	Adjustable Tee W/O-Ring, 1 1/16"-12 Male JIC To O-Ring
	GR1467	-	O-Ring
23.	G10171	4	Hex Head Cap Screw, 5/16"-18 x 1 1/4"
	G10219	8	Washer, 5/16" USS
	G10109	4	Lock Nut, 5/16"-18, Grade 8
24.	*A3344	1	Hose Assembly, 3/4" x 115", 8 Row 36"/38"
	*A3675	-	Hose Assembly, 3/4" x 158", 12 Row 30"
	*A3340	-	Hose Assembly, 3/4" x 108", 16 Row 30"
25.	*A3351	1	Hose Assembly, 3/4" x 20"
26.	G6801-12-10	1	Elbow W/O-Ring, 90°, 1 1/16"-12 Male JIC To 7/8"-14 O-Ring
	GR1466	-	O-Ring
27.	GA10918	1	Flow Control Valve
28.	G10403	2	Hex Head Cap Screw, 1/4"-20 x 2 1/2"
	G10209	4	Washer, 1/4" USS
	G10110	2	Lock Nut, 1/4"-20, Grade 8
29.	G6801-10	1	Elbow W/O-Ring, 90°, 7/8"-14 Male JIC To O-Ring
	GR1466	-	O-Ring
30.	*A8272	1	Hose Assembly, 1/2" x 115", 8 Row 36"/38"
	*A8283	-	Hose Assembly, 1/2" x 158", 12 Row 30"
	*A8250	-	Hose Assembly, 1/2" x 108", 16 Row 30"
31.	G6400-10	1	Connector W/O-Ring, 7/8"-14 Male JIC To O-Ring
	GR1466	-	O-Ring
32.	GA11523	1	Mounting Bracket
33.	G10001	2	Hex Head Cap Screw, 3/8"-16 x 1"
	G10210	4	Washer, 3/8" USS
	G10108	4	Lock Nut, 3/8"-16
34.	GA11544	4	Bracket, 12", 8 Row 36"/38" And 12 Row 30"
35.	G10148	4	Hex Head Cap Screw, 1/2"-13 x 9 1/2"
	G10228	4	Lock Washer, 1/2"
	G10102	4	Hex Nut, 1/2"-13
36.	GD16644	4	Bracket, 14 1/2", 16 Row 30"
37.	G11158	4	Hex Head Cap Screw, 1/2"-13 x 11 1/2"
	G10228	4	Lock Washer, 1/2"
	G10102	4	Hex Nut, 1/2"-13
38.	G6400-12	2	Connector W/O-Ring, 1 1/16"-12 Male JIC To O-Ring
	GR1467	-	O-Ring
39.	GA10917	1	Oil Cooler
40.	GD16608	1	Bracket
41.	*A3369	1	Hose Assembly, 3/4" x 40"
42.		-	See "Vacuum Fan Hydraulic Components", Pages P46 And P47
43.	G6502-12	1	Swivel Elbow, 45°, 1 1/16"-12 Male JIC To Female

* Hydraulic hose is not stocked by KINZE® Repair Parts, but can be made available on a special order basis. Call for quote.

OUTER HITCH/SAFETY CHAIN

PHA038/PHA025(TWL1h/WGN47a/B0292)



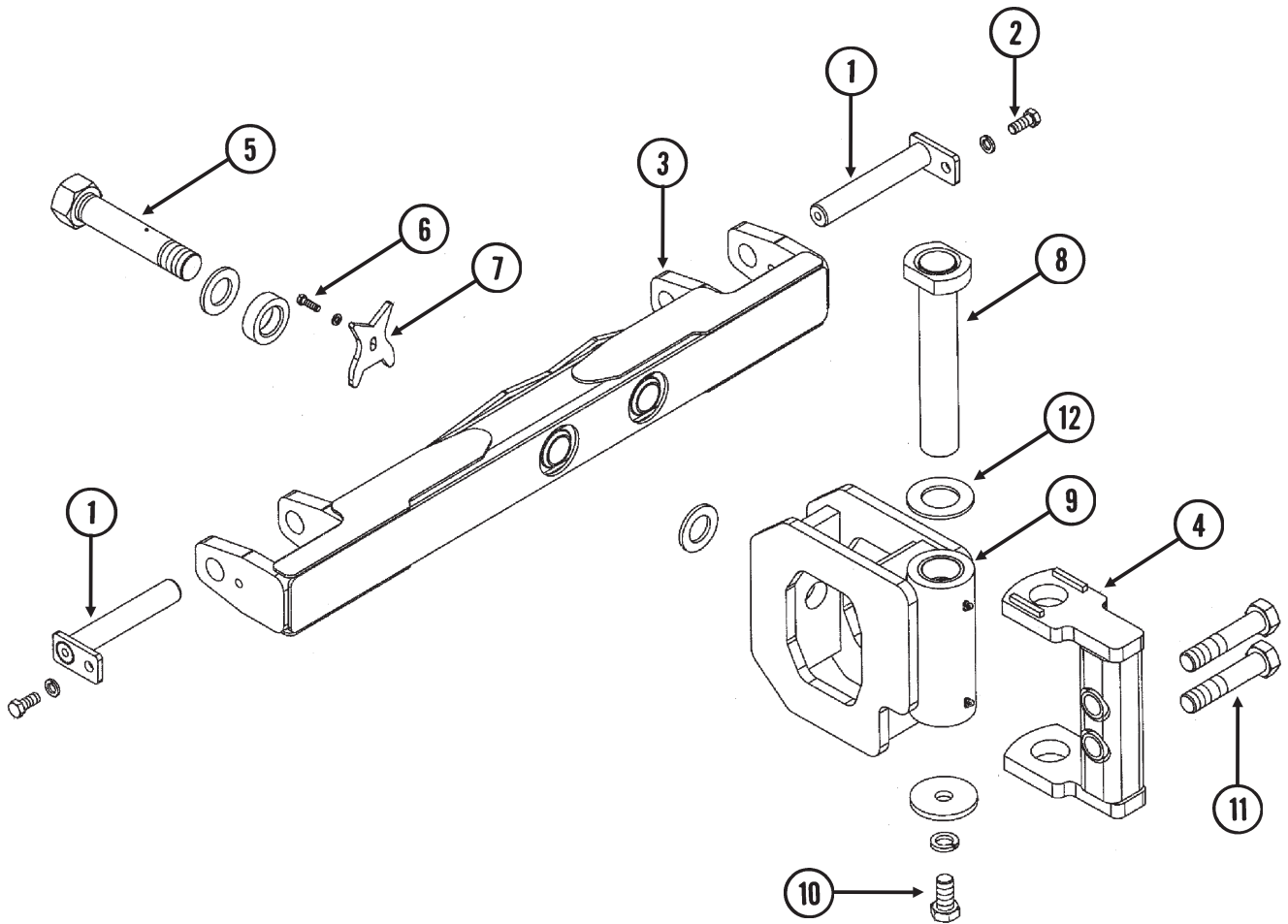
ITEM	PART NO.	QTY.	DESCRIPTION
1.	GB0237	1	Clevis, Single (1 3/4" Hole)
2.	GA9837	-	Hitch Mount, 16 Row 30"
3.	G10169	1	Hex Head Cap Screw, 1 1/4"-7 x 6"
	G10157	1	Lock Nut, 1 1/4"-7
4.	G10802	11	Hex Head Cap Screw, 3/4"-10 x 2 3/4"
	G10231	11	Lock Washer, 3/4"
	G10105	11	Hex Nut, 3/4"-10
5.	GD5173	1	Pin, 1 1/4" x 5 1/8"
	G10462	2	Cotter Pin, 3/16" x 2"
6.	G10009	9	Hex Head Cap Screw, 5/8"-11 x 2 1/2"
	G10230	9	Lock Washer, 5/8"
	G10104	9	Hex Nut, 5/8"-11
7.	GA4994	1	Jack Assembly Complete
	GA4995	-	Detent Pin Assembly
	GR0517	-	Pin
	GR0516	-	Crank Assembly
	GR0515	-	Bevel Gear Set, Includes: (2) Bevel Gears, (1) Gear Pin, (1) Groove Pin
8.	GA9836	1	Hitch Mount, 8 Row 36"/38" And 12 Row 30" ("Y" Hitch Only)
9.	GD8260	1	Hose Holder
10.	GA7022	1	Detent Pin W/Chain (Transport Latch Locking Pin)
11.			See "Transport Latch Cylinder", Page P98
12.	G10006	1	Hex Head Cap Screw, 5/8"-11 x 2 1/4"
	GB0218	1	Bushing, 2 1/32" I.D. x 7/8" O.D. x 1 19/32" Long
	GD7805	1	Special Washer, 5/8", Hardened
	G10107	1	Lock Nut, 5/8"-11
13.	GA7016	1	Catch Bar
14.	GD5857	1	Spring
15.	GA7433	1	Transport Latch
16.	G10765	-	Spring Pin, 1/4" x 1"
17.	G10062	1	Hex Head Cap Screw, 3/8"-16 x 3"
	GD2971-09	1	Sleeve, 2" Long
	G10108	1	Lock Nut, 3/8"-16

OUTER HITCH/SAFETY CHAIN

ITEM	PART NO.	QTY.	DESCRIPTION
18.	G10216	1	Washer, 1/2" USS
	G10217	1	Washer, 3/8" USS
	G10111	1	Lock Nut, 1/2"-13
19.	GD7137	1	Pin, 3/4" x 3 3/8"
	G10457	2	Cotter Pin, 5/32" x 1 1/2"
20.	GD8188	-	Hose Clamp, 7/8" x 3" x 5 3/8"
	GD8189	-	Rubber Pad
21.	GD5892	2	Hose Clamp, 5/8" x 1 1/2" x 1 1/2"
22.	GD9953	3	U-Bolt, 3" x 4" x 5/8"-11
	G10205	1	Washer, 5/8" SAE
	G10230	6	Lock Washer, 5/8"
	G10104	6	Hex Nut, 5/8"-11
23.			See "Hose Take-Up", Pages P62 And P63
24.	GA4418	1	Roller W/Bronze Bushings, 8 Row 36"/38" "Y", 12 Row 30" "Y" Hitch
	GA4842	-	Roller W/Bronze Bushings, 12 Row 30" "T" Hitch And 16 Row 30" "Y"
	GD6556	1	Bronze Bushing
25.	G10108	1	Lock Nut, 3/8"-16
26.	G10111	1	Lock Nut, 1/2"-13
27.	G10026	1	Hex Head Cap Screw, 3/4"-10 x 2"
	G10112	1	Lock Nut, 3/4"-10
28.	GA5842	1	Bracket, Jack Mount
	GD8189	-	Rubber Pad
29.	GA4402	1	Safety Pin, 12 3/4", 8 Row 36"/38" And 12 Row 30" ("Y" Hitch Only)
	GA4845	-	Safety Pin, 14 3/4", 16 Row 30"
	GD2558	-	Lynch Pin, 1/4"
	GD2557	-	Lynch Pin, 7/16"
30.	G10014	4	Hex Head Cap Screw, 1/2"-13 x 1"
	G10228	4	Lock Washer, 1/2"
31.	G10017	8	Hex Head Cap Screw, 1/2"-13 x 1 1/2", 8 Row 36"/38" And 12 Row 30"
	G10016	10	Hex Head Cap Screw, 1/2"-13 x 2", 16 Row 30"
	G10228	8-10	Lock Washer, 1/2"
	G10102	8-10	Hex Nut, 1/2"-13
32.	GA7029	2	Wear Mount, 8 Row 36"/38" And 12 Row 30" ("Y" Hitch Only)
	GA7084	-	Wear Mount, L.H., 16 Row 30"
	GA7085	-	Wear Mount, R.H., 16 Row 30"
	GA7083	-	Wear Pad Retainer, 16 Row 30"
33.	GD5154	-	Shim, 4" x 4" (As Required), All Sizes
	GD3501	-	Shim, 4" x 6" (As Required), 16 Row 30"
34.	GD9959	-	Wear Pad, Nylatron, 4" x 4" (As Required), All Sizes
	GD9960	-	Wear Pad, Nylatron, 4" x 6" (As Required), 16 Row 30"
35.	GD7519	3	Shim, 16 Gauge (16 Row 30" Only)
	GD7518	1	Shim, 3/8" (16 Row 30" Only)
36.	G10014	4	Hex Head Cap Screw, 1/2"-13 x 1"
	G10228	4	Lock Washer, 1/2"
	G10216	4	Washer, 1/2" USS
37.	A7835	-	Outer Hitch, "Y", 73", 8 Row 36"/38" (Non-Stock Item)
	A7010	-	Outer Hitch, "Y", 97", 12 Row 30" (Non-Stock Item)
	A7061	-	Outer Hitch, "T", 121", 12 Row 30" (Non-Stock Item)
	A7088	-	Outer Hitch, "Y", 127 1/2", 16 Row 30" (Non-Stock Item)
	A7073	-	Outer Hitch, "T", 151 1/2", 16 Row 30" (Non-Stock Item)
38.	GD5804	1	Pin, 1 1/4" x 12", 8 Row 36"/38" "Y", 12 Row 30" "Y" Hitch
	GD7251	1	Pin, 1 1/4" x 14", 12 Row 30" "T" Hitch And 16 Row 30" "Y"
	G10610	2	Spring Pin, 3/8" x 2"
39.	GA7533	1	Safety Chain, 1/2"
	G1K412	-	Safety Chain Repair Kit, Includes (1) Hook, (1) Flat Washer, (1) Latch Pin, (1) Safety Latch And (1) Retaining Ring
40.	G11058	1	Hex Head Cap Screw, 1 1/4"-7 x 3"
	GD10646	1	Special Washer
	G10226	1	Washer, 1 1/4" SAE
	G10157	1	Lock Nut, 1 1/4"-7
41.	GD14121	1	Hose Clamp, 7/8" x 3 1/2"
42.	GA11528	1	Bracket
43.	GD16642	2	U-Bolt, 3" x 4" x 1/2"-13
	G10228	4	Lock Washer, 1/2"
	G10102	4	Hex Nut, 1/2"-13
44.	GB0292	-	Hitch Clevis, Single (2" Pin)

2-POINT HITCH OPTION

(A12406)

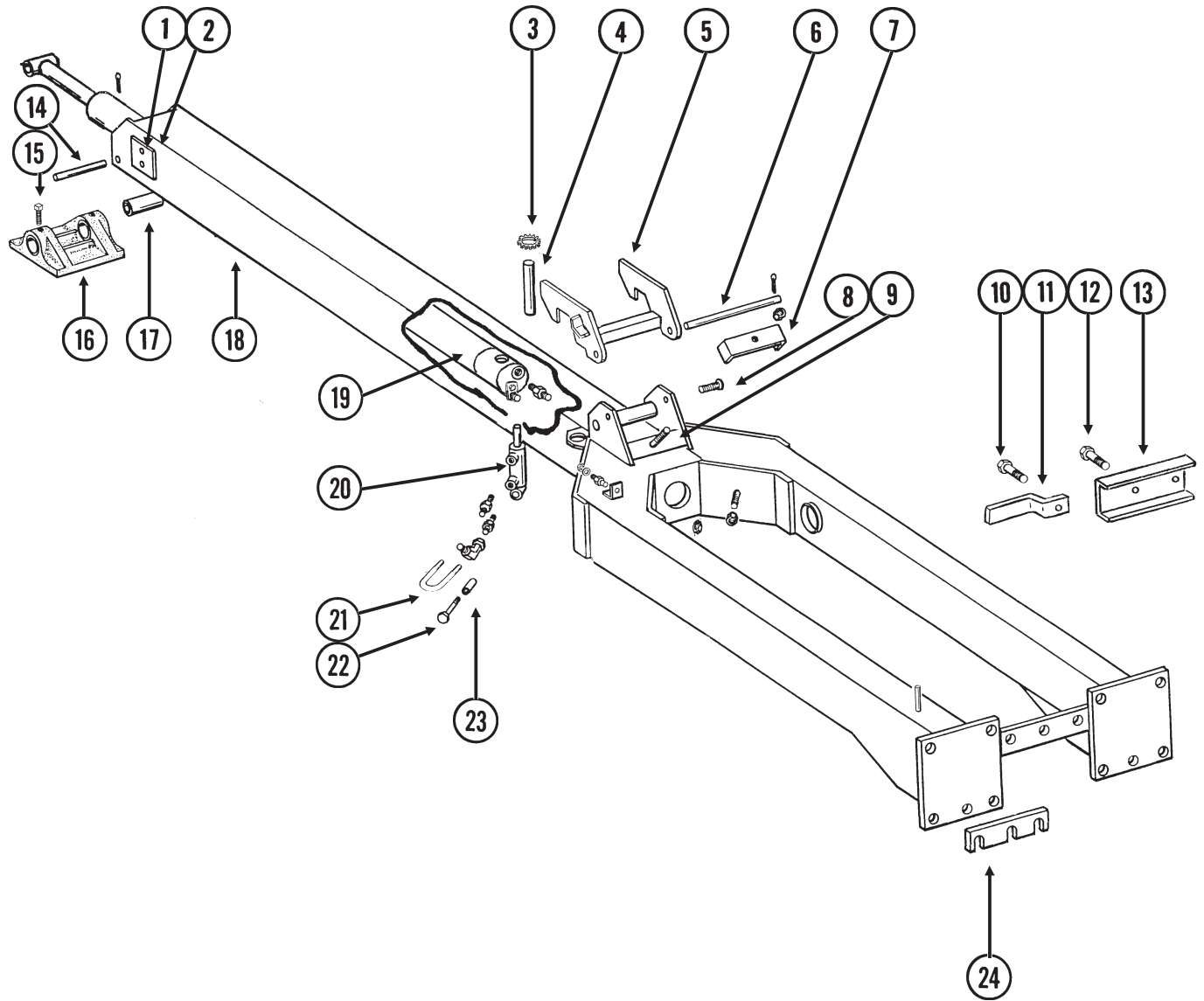


2-POINT HITCH OPTION

ITEM	PART NO.	QTY.	DESCRIPTION
1.	GA11079	2	Hammer Strap, Category 3N And 3
2.	G10007	2	Hex Head Cap Screw, 5/8"-11 x 1 1/2"
	G10230	2	Lock Washer, 5/8"
3.	GA12164	1	Hitch Bar
4.	GA12165	1	Pivot Mount
5.	GA11082	1	Pivot Bolt W/Grease Fitting, 1 3/4" x 10 3/8" (Total Length)
	G10640	-	Grease Fitting, 1/4"-28
	GD16303	2	Washer, 3" O.D. x 1 25/32" x 1/4" Thick
	GD16226	1	Sleeve, 3" O.D. x 1 25/32" x 29/32" Thick
6.	G10005	1	Hex Head Cap Screw, 5/8"-11 x 1 1/4"
	G10217	1	Washer, 5/8" USS
7.	GD15100	1	Pivot Lock
8.	GA12163	1	Pin, 13 3/8"
9.	GA11083	1	Hitch Pivot W/Bushings And Grease Fittings
	GD14562	2	Hardened Bushing, 2 3/4" O.D. x 2 1/4" I.D. x 3"
	G10779	2	Grease Fitting, 90°, 1/4"-28
10	G11223	1	Hex Head Cap Screw, 1"-8 x 2"
	G10118	1	Lock Washer, 1"
	GD17245	1	Washer, 4" O.D. x 1 1/32" I.D. x 3/8"
11.	G10169	2	Hex Head Cap Screw, 1 1/4"-7 x 6"
	G10157	2	Lock Nut, 1 1/4"-7
12.	GD15725	1	Washer, 4" O.D. x 2 1/4" I.D. x 1/4"

INNER HITCH, "Y"

PHA035/PHA037(TWL2i)

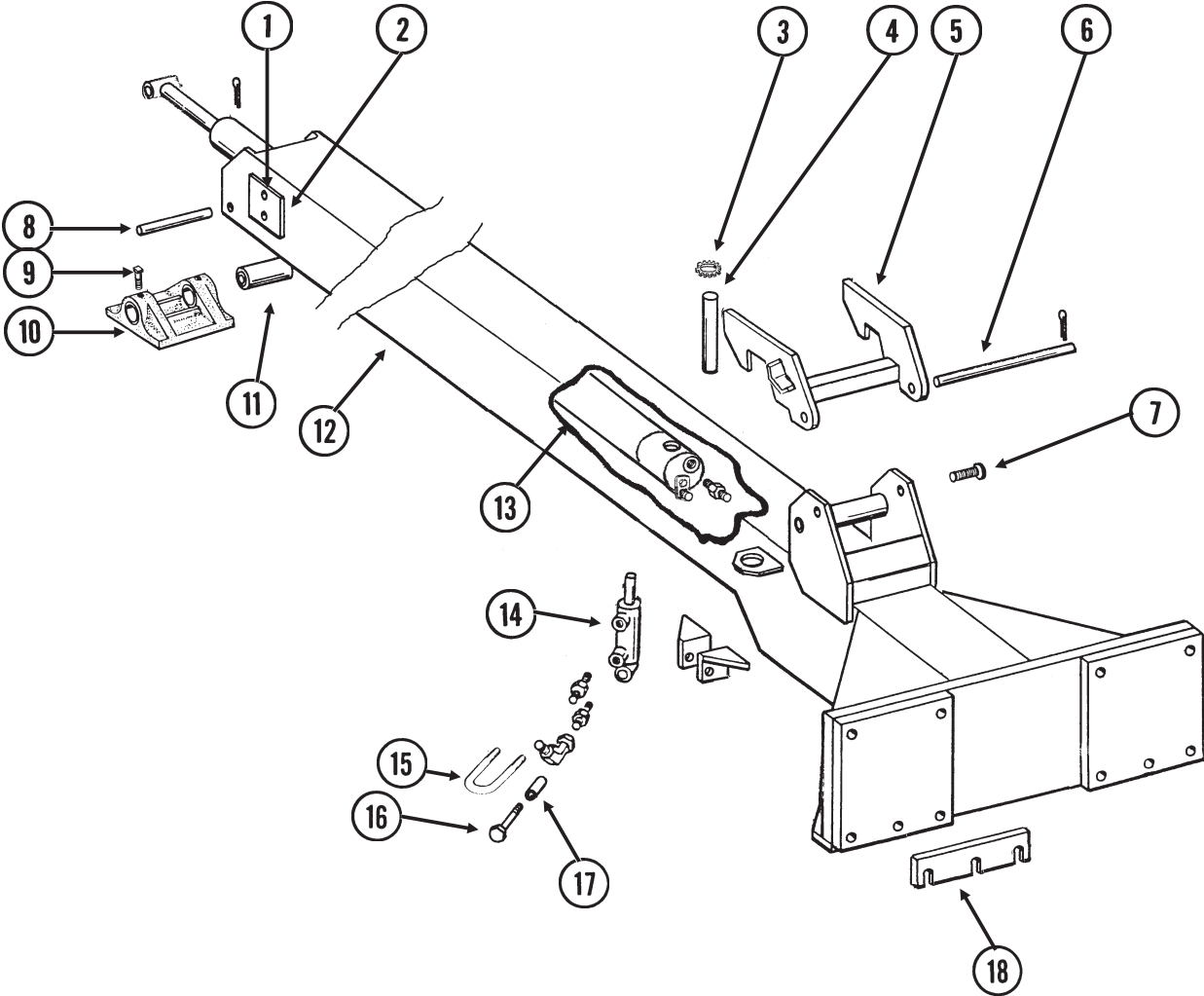


INNER HITCH, "Y"

ITEM	PART NO.	QTY.	DESCRIPTION
1.	G10014	4	Hex Head Cap Screw, 1/2"-13 x 1", 8 Row 36"/38" And 12 Row 30"
	G10017	4	Hex Head Cap Screw, 1/2"-13 x 1 1/2", 16 Row 30"
	G10228	4	Lock Washer, 1/2", 16 Row 30"
2.	GD9959	2	Wear Pad, Nylatron, 4" x 4"
	GD5154	4-6	Shim, 4" x 4"
3.	G10894	-	External Washer
4.	GD3537-17	1	Shaft, 1 1/4" x 6 3/8", 8 Row 36"/38" And 12 Row 30"
	GD3537-18	-	Shaft, 1 1/4" x 7 3/8", 16 Row 30"
5.	GA7423	1	Tongue Hook W/Grease Fittings, 8 Row 36"/38" And 12 Row 30"
	GA7424	-	Tongue Hook W/Grease Fittings, 16 Row 30"
	G10641	-	Grease Fitting, 1/8" NPT
6.	GD5804	1	Pin, 1 1/4" x 12", 8 Row 36"/38" And 12 Row 30"
	GD7883	-	Pin, 1 1/4" x 14 1/2", 16 Row 30"
	G10468	2	Cotter Pin, 3/8" x 2"
7.	GD8188	-	Hose Clamp, 7/8" x 3" x 5 3/8"
	GD8189	-	Rubber Pad
8.			See "Hose Take-Up", Pages P62 And P63
9.	G11169	1	Hex Head Cap Screw, 1/2"-13 x 3 1/2"
	G10111	1	Lock Nut, 1/2"-13
10.	G10004	1	Hex Head Cap Screw, 3/8"-16 x 1 1/4"
	G10229	1	Lock Washer, 3/8"
	G10101	1	Hex Nut, 3/8"-16
11.	GD10650	1	Hose Clamp
12.	G10003	1	Hex Head Cap Screw, 3/8"-16 x 1 1/2"
	G10210	1	Washer, 3/8" USS
	G10108	1	Lock Nut, 3/8"-16
13.	GD10664	1	Shield (If Applicable)
14.	GD5173	1	Pin, 1 1/4" x 5 1/8"
	G10462	1	Cotter Pin, 3/16" x 2"
15.	G10131	1	Square Head Set Screw, 5/16"-18 x 3/4"
16.	GB0246	1	Shoe
17.	GD3537-11	1	Shaft, 1 1/4" x 7", 8 Row 36"/38" And 12 Row 30"
	GD3537-12	-	Shaft, 1 1/4" x 8", 16 Row 30"
18.	A7427	-	Inner Hitch, 145 3/8", 8 Row 36"/38" (Non-Stock Item)
	A7429	-	Inner Hitch, 169 3/8", 12 Row 30" (Shown) (Non-Stock Item)
	A7426	-	Inner Hitch, 205 3/8", 16 Row 30" (Non-Stock Item)
19.		-	See "Tongue Cylinder", Pages P98-102
20.		-	See "Tongue Lock Cylinder", Page P98
21.	GD10530	1	U-Bolt, 2 1/8" x 1 7/8" x 3/8"-16
	G10229	2	Lock Washer, 3/8"
	G10101	2	Hex Nut, 3/8"-16
22.	G10585	1	Hex Head Cap Screw, 1/2"-13 x 3 1/4"
	G10216	1	Washer, 1/2" USS
	G10228	1	Lock Washer, 1/2"
	G10102	1	Hex Nut, 1/2"-13
23.	GD10538-01	1	Sleeve
24.	GD13543	1	Shim, 2 1/2" x 10", 7 Gauge
	GD13544	1	Shim, 2 1/2" x 10", 10 Gauge
	GD13545	1	Shim, 2 1/2" x 10", 12 Gauge

INNER HITCH, "T"

PHA035/PHA036(TWL3f)

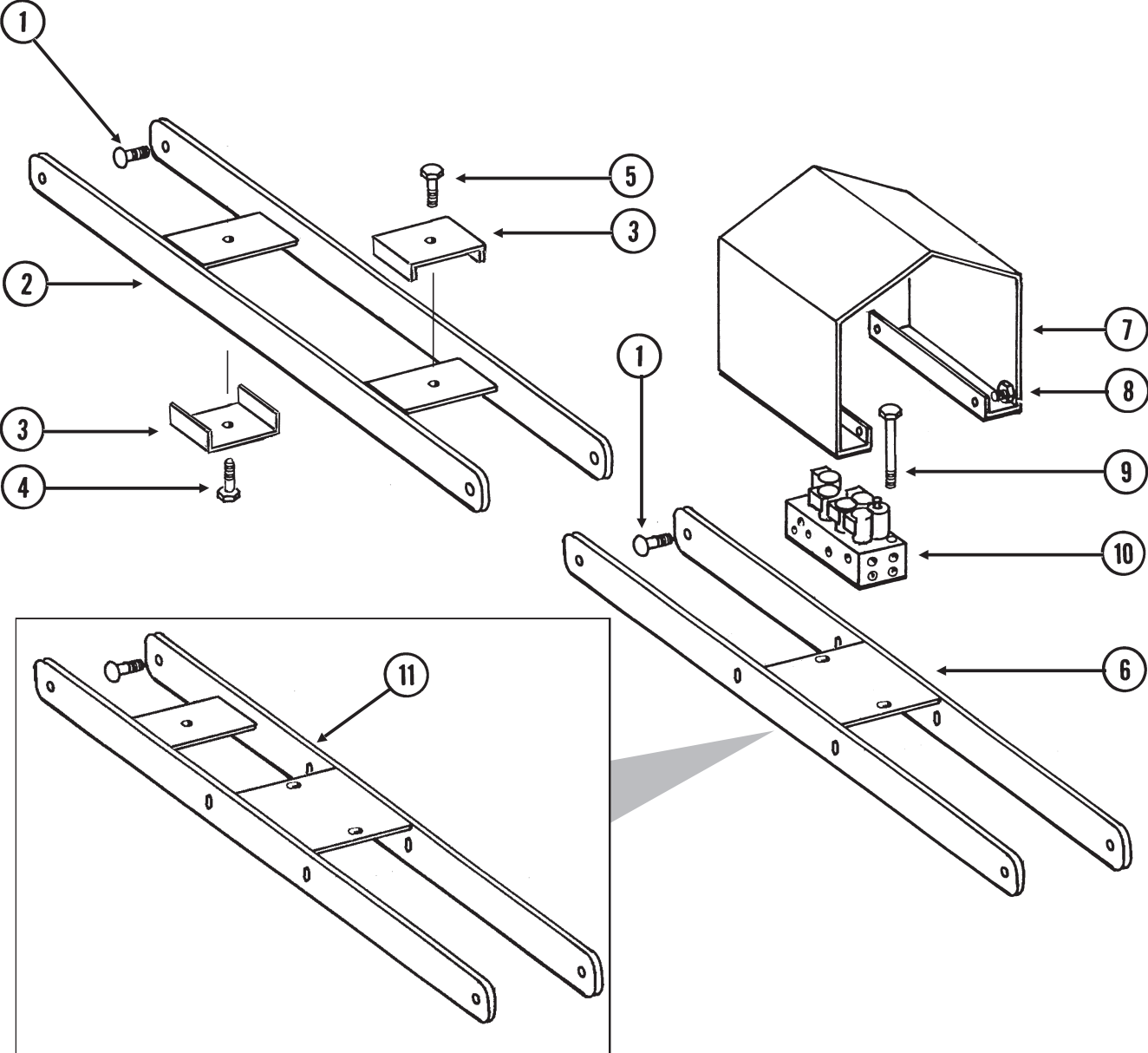


INNER HITCH, "T"

ITEM	PART NO.	QTY.	DESCRIPTION
1.	G10014	4	Hex Head Cap Screw, 1/2"-13 x 1", 12 Row 30"
2.	GD9959	2	Wear Pad, Nylatron, 4" x 4"
	GD5154	4-6	Shim, 4" x 4"
3.	G10894	-	External Washer
4.	GD3537-17	1	Shaft, 1 1/4" x 6 3/8", 12 Row 30"
5.	GA7423	1	Tongue Hook W/Grease Fittings, 12 Row 30"
	G10641	-	Grease Fitting, 1/8" NPT
6.	GD5804	1	Pin, 1 1/4" x 12", 12 Row 30"
	G10468	2	Cotter Pin, 3/8" x 2"
7.		-	See "Hose Take-Up", Pages P62 And P63
8.	GD5173	1	Pin, 1 1/4" x 5 1/8"
	G10462	1	Cotter Pin, 3/16" x 2"
9.	G10131	1	Square Head Set Screw, 5/16"-18 x 3/4"
10.	GB0246	1	Shoe
11.	GD3537-11	1	Shaft, 1 1/4" x 7", 12 Row 30"
12.	A7432	-	Inner Hitch, 145 3/8", 12 Row 30" (Shown) (Non-Stock Item)
13.		-	See "Tongue Cylinder", Pages P98-P102
14.		-	See "Tongue Lock Cylinder", Page P98
15.	GD10530	1	U-Bolt, 2 1/8" x 1 7/8" x 3/8"-16
	G10229	2	Lock Washer, 3/8"
	G10101	2	Hex Nut, 3/8"-16
16.	G10585	1	Hex Head Cap Screw, 1/2"-13 x 3 1/4"
	G10216	1	Washer, 1/2" USS
	G10228	1	Lock Washer, 1/2"
	G10102	1	Hex Nut, 1/2"-13
17.	GD10538-01	1	Sleeve
18.	GD13543	1	Shim, 2 1/2" x 10", 7 Gauge
	GD13544	1	Shim, 2 1/2" x 10", 10 Gauge
	GD13545	1	Shim, 2 1/2" x 10", 12 Gauge

HOSE TAKE-UP

PHA039(TWL137TWL137f)



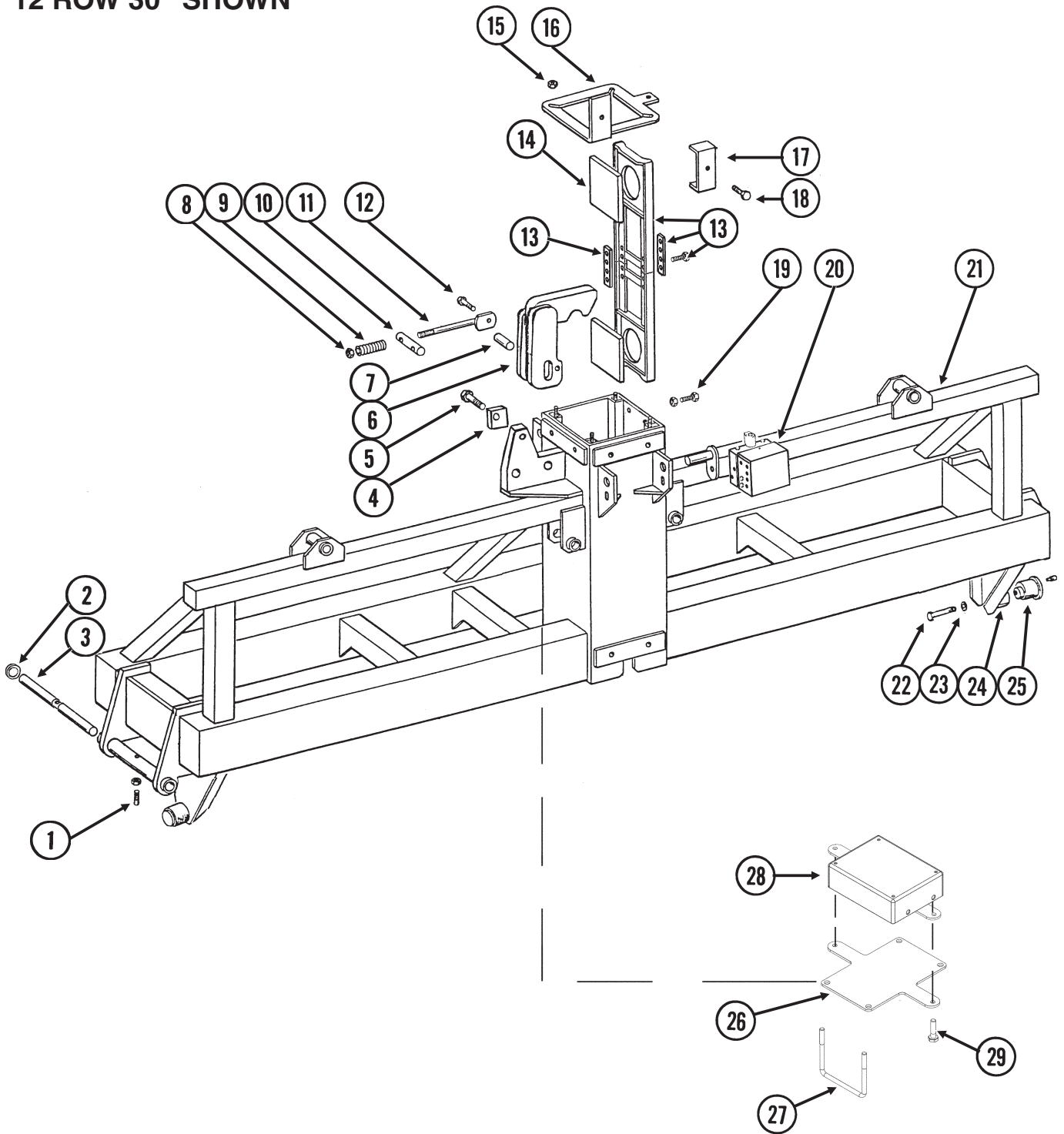
HOSE TAKE-UP

ITEM	PART NO.	QTY.	DESCRIPTION
1.	G10689	6	Carriage Bolt, 5/8"-11 x 2"
	GB0218	6	Bushing, 2 1/32" I.D. x 7/8" O.D. x 1 9/32" Long
	GD7805	6	Special Washer, 5/8", Hardened
	G10107	6	Lock Nut, 5/8"-11
2.	GA7058	1	Take-Up, 28 1/4", 8 Row 36"/38" "Y" Hitch
	GA7013	-	Take-Up, 44 1/4", 12 Row 30" "Y" Hitch (Shown)
	GA7049	-	Take-Up, 56 1/4", 12 Row 30" "T" Hitch And 16 Row 30" "Y" Hitch
3.	GD8188	2	Hose Clamp, 7/8" x 3" x 5 3/8"
	GD8189	2	Rubber Pad
4.	G10581	1-2	Hex Head Cap Screw, 1/2"-13 x 2 1/4"
	G10053	-	Hex Head Cap Screw, 1/2"-13 x 2 1/2"
	G10111	1	Lock Nut, 1/2"-13
5.	G10581	1	Hex Head Cap Screw, 1/2"-13 x 2 1/4"
	G10111	1	Lock Nut, 1/2"-13
6.	GA7057	1	Take-Up, 28 1/4", 8 Row 36"/38" "Y" Hitch
	GA7021	-	Take-Up, 44 1/4", 12 Row 30" "Y" Hitch (Shown)
	GA7075	-	Take-Up, 67 5/8", 16 Row 30" "T" Hitch
7.	GD9952	1	Cover, 12 Row 30" "Y"/"T" Hitch And 16 Row 30" "Y" (Shown)
	GD10295	-	Cover, 8 Row 36"/38" "Y" Hitch
8.	G10004	4	Hex Head Cap Screw, 3/8"-16 x 1 1/4"
	G10229	4	Lock Washer, 3/8"
	G10203	8	Washer, 3/8" SAE
	G10101	4	Hex Nut, 3/8"-16
9.	G10172	2	Hex Head Cap Screw, 3/8"-16 x 5"
	G10210	2	Washer, 3/8" USS
	G10108	2	Lock Nut, 3/8"-16
10.			See "Valve Block - Located On Hitch", Page P106
11.	GA7050	-	Take-Up, 56 1/4", 12 Row 30" "T" Hitch And 16 Row 30" "Y" Hitch

CENTER FRAME

PFA070/VVB034(TWL138b)

12 ROW 30" SHOWN

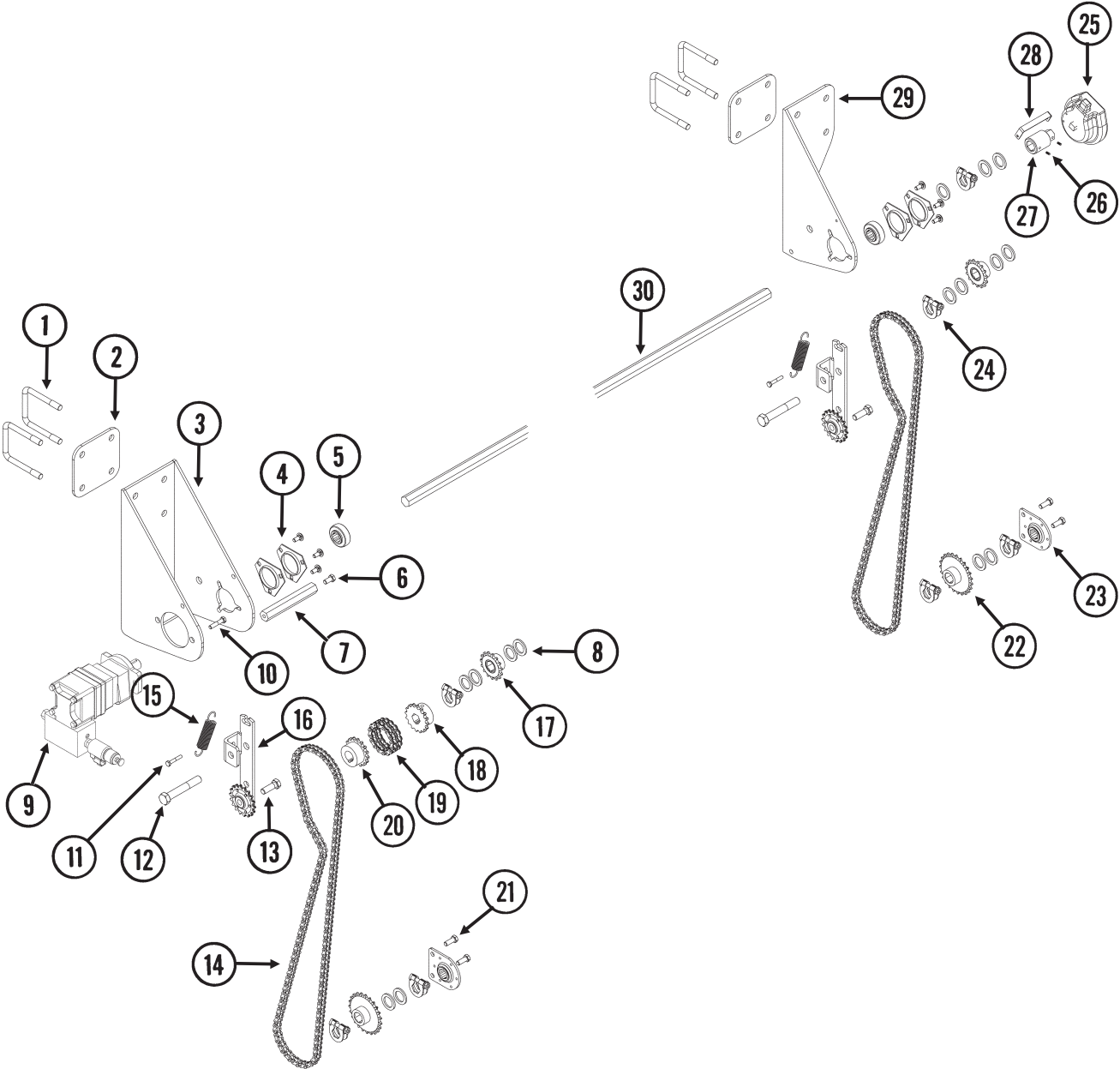


CENTER FRAME

ITEM	PART NO.	QTY.	DESCRIPTION
1.	G10102	1	Hex Nut, 1/2"-13
	G10828	1	Hex Socket Set Screw, 1/2"-13 x 1 1/4"
2.	G10404	-	Machine Bushing, 3 1/8" x 2 1/8" x 3/16" (As Required)
	G10234	-	Machine Bushing, 2 1/8", 10 Gauge (As Required)
	G10336	-	Machine Bushing, 2 1/8", 14 Gauge (As Required)
3.	GD10531	1	Hinge Pin, 2 1/8" x 25 3/4"
4.	GD10492	2	Adjustment Block
5.	G10085	-	Hex Head Cap Screw, 3/4"-10 x 3 3/4"
	G10218	-	Washer, 3/4" USS
	G10112	-	Lock Nut, 3/4"-10
6.	GA7390	-	Safety Hook
7.	GD9898	1	Pin, 1 1/4" x 2 15/16"
8.	G10205	2	Washer, 5/8" SAE
	G10107	2	Lock Nut, 5/8"-11
9.	GD10006	2	Spring
10.	GD9870	1	Pin, 1 1/4" x 6"
11.	GA6943	2	Spring Rod
12.	G10037	2	Hex Head Cap Screw, 1/2"-13 x 1 1/4"
	G10206	2	Washer, 1/2" SAE
	G10228	2	Lock Washer, 1/2"
	GD7904-02	2	Sleeve, 1/2" x 1/2" Long
13.	GA7579	4	Pad Holder W/Bars
	GD10706	-	Bar, 1 1/4" x 6" x 1/4" Thick
	GD10707	-	Bar, 1 1/4" x 6" x 3/8" Thick
	G10001	-	Hex Head Cap Screw, 3/8"-16 x 1"
14.	GD10053	8	Wear Pad, 7" x 7", 1/2" Thick
15.	GD7805	4	Special Washer, 5/8", Hardened
	G10104	4	Hex Nut, 5/8"-11
16.	GD9968	1	Cap
17.	GD8188	1	Hose Clamp, 7/8" x 3" x 5 3/8"
	GD8189	1	Rubber Pad
18.	G10053	1	Hex Head Cap Screw, 1/2"-13 x 2 1/2"
	G10228	1	Lock Washer, 1/2"
	G10102	1	Hex Nut, 1/2"-13
19.	G10543	16	Hex Head Cap Screw, 3/4"-10 x 3", Full Thread
	G10105	16	Hex Nut, 3/4"-10
20.		-	See "Valve Blocks - Located On R.H. Rear Center Frame", Page P105
21.	A7393	-	Frame W/Cam Follower Mounts, 136" (Non-Stock Item)
	GA6929	-	Cam Follower Mount, L.H.
	GA6928	-	Cam Follower Mount, R.H.
22.	G10025	2	Hex Head Cap Screw, 3/4"-10 x 1 1/2"
23.	GB0409	2	Spring Washer
24.	GD10532	2	Sleeve
25.	GA6497	2	Cam Follower W/Grease Fitting
	G10640	-	Grease Fitting, 1/4"-28
26.	GD18344	1	Valve Box Mount (If Applicable)
27.	GD18329	2	U-Bolt, 5/16"-18 (If Applicable)
	G10106	4	Hex Nut, 5/16"-18 (If Applicable)
	G10232	4	Lock Washer, 5/16" (If Applicable)
28.			See "Valve Box Module", Pages P116 and P117 (If Applicable)
29.	G10064	2	Hex Head Cap Screw, 1/4"-20 x 1" (If Applicable)
	G10227	2	Lock Washer, 1/4" (If Applicable)
	GD7363-01	2	Sleeve, 1/2" Long (If Applicable)
	G10103	2	Hex Nut, 1/4"-20 (If Applicable)

HYDRAULIC DRIVE PACKAGE OPTION

(VI56)



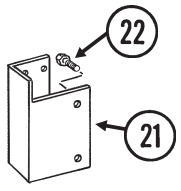
HYDRAULIC DRIVE PACKAGE OPTION

ITEM	PART NO.	QTY.	DESCRIPTION
1.	GD4743	4	U-Bolt, 3" x 3" x 1/2"-13
	G10102	8	Hex Nut, 1/2"-13
2.	GD18114	2	Spacer
3.	GA12569	1	Motor Bracket
4.	G3400-01	4	Flangette
5.	G2100-03	2	Bearing, 7/8" Hex Bore, Spherical
6.	G10002	2	Hex Head Cap Screw, 3/8"-16 x 3/4"
7.	GD18326	1	Hex Spacer
8.	G10233	15	Machine Bushing, 1", 10 Gauge
9.			See "Valve Block - Located On L.H. Rear Center Frame", Pages P107
10.	G10133	2	Hex Head Cap Screw, 5/16"-18 x 1 1/2"
	G10232	2	Lock Washer, 5/16"
	G10106	2	Hex Nut, 5/16"-18
11	G10021	2	Hex Head Cap Screw, 1/4"-20 x 1 1/2"
	G10110	2	Lock Nut, 1/4"-20, Grade B
12.	G10036	2	Hex Head Cap Screw, 5/8"-11 x 4"
	G10103	2	Hex Nut, 1/4"-20
13.	G10017	2	Hex Head Cap Screw, 1/2"-13 x 1 1/2"
	G10102	2	Hex Nut, 1/2"-13
14.	G3310-84	2	Chain, No. 40, 84 Pitch Including Connector Link
	GR0912	-	Connector Link, No. 40
15.	GD5857	2	Spring
16.	GA9553	2	Idler W/Sprocket And Hardware
	GA7154	2	Sprocket W/Bearing, 19 Tooth
	G10017	2	Hex Head Cap Screw, 1/2"-13 x 1 1/2"
	G10128	2	Machine Bushing, 1/2", 14 Gauge
	G10501	2	Hex Jam Nut, 1/2"-13, Grade 2
	GD13422	2	Idler Arm
17.	GA5105	2	Sprocket, 15 Tooth
18.	GD16490	2	Coupler, 1" I.D.
19.	G3317-16	1	Chain, Double No. 40, 16 Pitches
	GR1790	-	Connector Link, Double No. 40
20.	GD16489	1	Coupler, 7/8" Hex
21.	G10001	4	Hex Head Cap Screw, 3/8"-16 x 1"
	G10101	4	Hex Nut, 3/8"-16
22.	GA5114	2	Sprocket, 30 Tooth
23.	GA2180	2	Hanger Bearing, 7/8" Hex Bore
24.	GA11331	-	Hex Lock Clamp Assembly
25.	GA12565	1	Encoder Module
26.	G11242	2	Hex Socket Set Screw, 1/4"-20 x 3/8"
27.	GA12661	1	Hex Adapter Encoder
28.	GD18115	1	Encoder Bracket
29.	GD18014	1	Carrier Bracket
30.	GD0914-54.75	1	Hex Shaft, 7/8" x 54 3/4" (No Holes), 12 R 30"

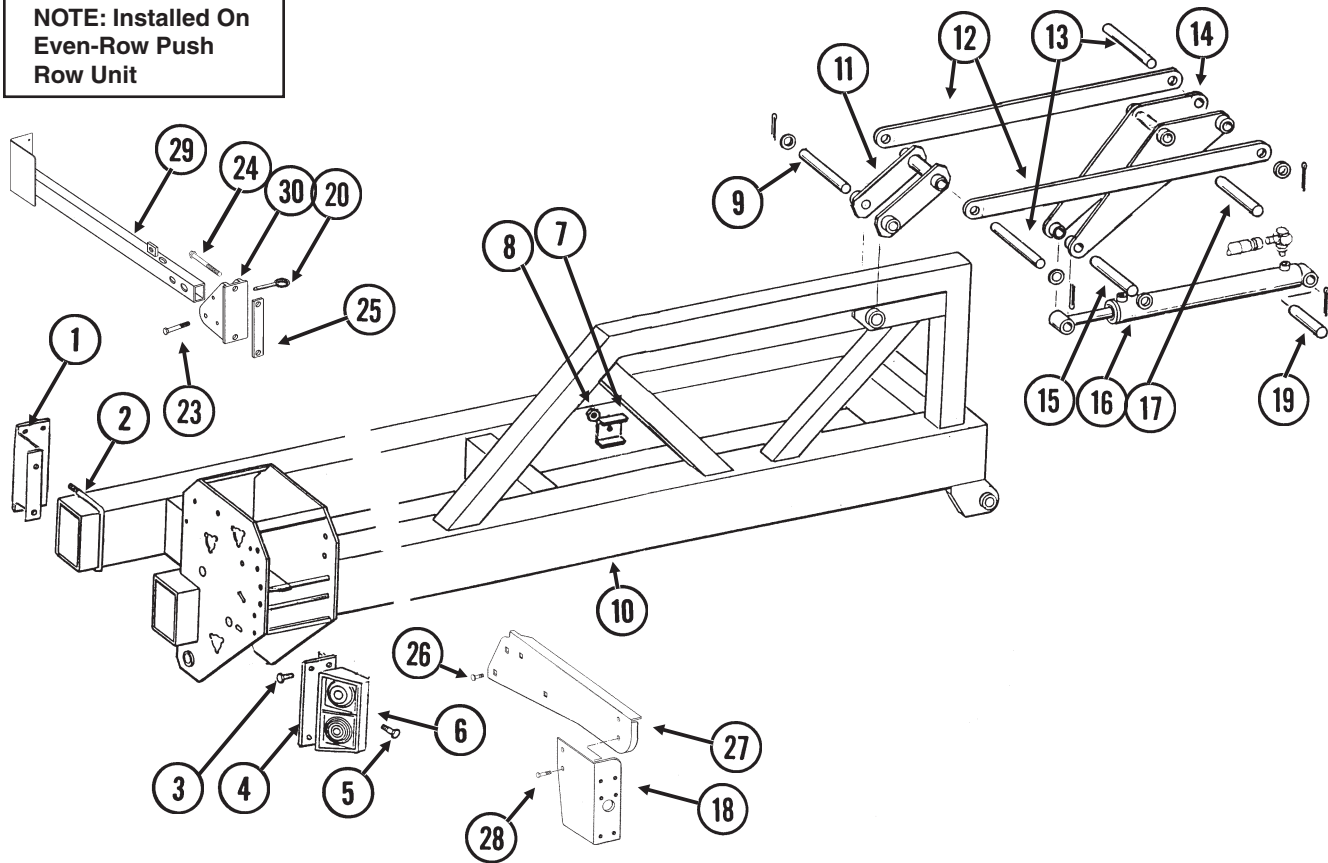
WING FRAME

(TWL180a/TWL139g)

**WITH INTERPLANT®
PACKAGE OPTIONS**



**NOTE: Installed On
Even-Row Push
Row Unit**



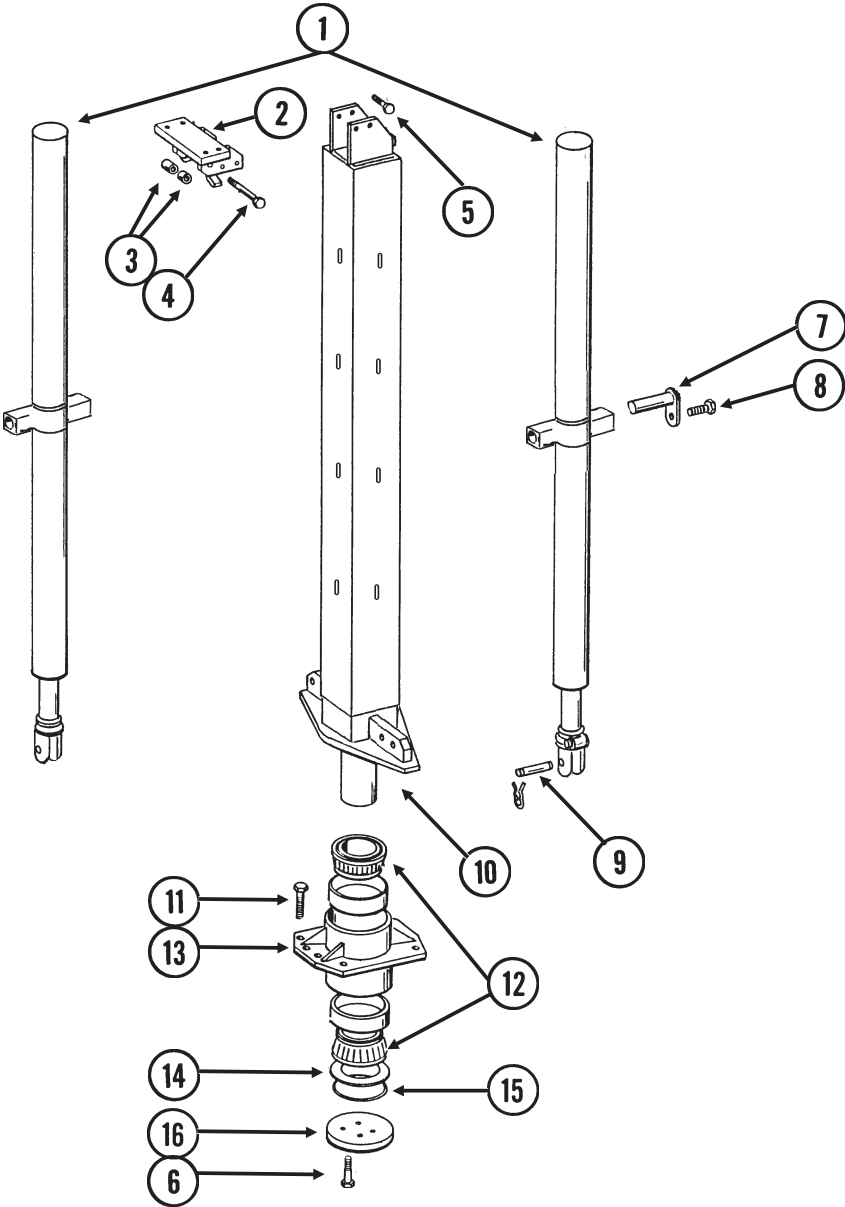
ITEM	PART NO.	QTY.	DESCRIPTION
1.	GA6792	1	Light Bracket (Wide Row Sizes Only)
2.	GD1113	1	U-Bolt, 5" x 7" x 5/8"-11
	G10230	2	Lock Washer, 5/8"
	G10104	2	Hex Nut, 5/8"-11
3.	G10001	2	Hex Head Cap Screw, 3/8"-16 x 1"
	G10210	1	Washer, 3/8" USS
	G10229	2	Lock Washer, 3/8"
	G10101	2	Hex Nut, 3/8"-16
4.	GD9681	1	Light Bracket (Wide Row Sizes Only)
5.	G10064	8	Hex Head Cap Screw, 1/4"-20 x 1"
	G10110	8	Lock Nut, 1/4"-20, Grade B
6.	-	-	See "Electrical Components", Pages P114 And P115

WING FRAME

ITEM	PART NO.	QTY.	DESCRIPTION
7.	GD5875	-	Hose Clamp, 9/16" x 2 1/2" x 2"
8.	G10108	-	Lock Nut, 3/8"-16
9.	GD9963	1	Pin, 1 1/4" x 9"
	G10460	2	Cotter Pin, 1/4" x 2"
10.	A7834	-	Wing, R.H., 75 1/2", 8 Row 36"/38" (Non-Stock Item)
	A7833	-	Wing, L.H., 75 1/2", 8 Row 36"/38" (Non-Stock Item)
	A6904	-	Wing, R.H., 119 1/4", 12 Row 30" (Non-Stock Item)
	A6905	-	Wing, L.H., 119 1/4", 12 Row 30" (Non-Stock Item)
	A6892	-	Wing, R.H., 179 1/4", 16 Row 30" (Two Wheel Towers Per Wing) (Non-Stock Item)
	A6893	-	Wing, L.H., 179 1/4", 16 Row 30" (Two Wheel Towers Per Wing) (Non-Stock Item)
11.	GA7018	1	Link
12.	GD10049	2	Strap, 56", 8 Row 36"/38"
	GD9956	2	Strap, 41", 12 Row 30" And 16 Row 30"
13.	GD9964	2	Pin, 1 1/4" x 10 1/2"
	G10159	4	Machine Bushing, 1 1/4", 10 Gauge
	G10460	4	Cotter Pin, 1/4" x 2"
14.	GA7019	1	Toggle Link
15.	GD4108	1	Pin, 1 1/4" x 7"
	G10159	2	Machine Bushing, 1 1/4", 10 Gauge
	G10460	2	Cotter Pin, 1/4" x 2"
16.		-	See "Wing Lock Cylinder", Page P103
17.	GD9955	1	Pin, 1 1/4" x 7"
	G10606	2	Spring Pin, 1/4" x 2"
18.	GD12724	1	Bracket
19.	GD6136	2	Pin, 1 1/4" x 5"
	G10460	4	Cotter Pin, 1/4" x 2"
20.	G10874	1	Detent Pin, 1/2" x 3 1/2" Grip
21.	GD12703	1	Push Row Unit Light Bracket
22.	G10001	2	Hex Head Cap Screw, 3/8"-16 x 1"
	G10229	2	Lock Washer, 3/8"
	G10101	2	Hex Nut, 3/8"-16
23.	G10033	1	Hex Head Cap Screw, 1/2"-13 x 3 1/2"
	G10206	4	Washer, 1/2" SAE
	G10111	1	Lock Nut, 1/2"-13
24.	G10439	2	Hex Head Cap Screw, 5/8"-11 x 7"
	G10230	2	Lock Washer, 5/8"
	G10104	2	Hex Nut, 5/8"-11
25.	GD1908	1	Mounting Bracket
26.	G10312	2	Carriage Bolt, 5/16"-18 x 3/4"
	G10620	2	Serrated Flange Nut, 5/16"-18
27.	GD15950	1	Light Mount Extension
28.	G10064	2	Hex Head Cap Screw, 1/4"-20 x 1"
	G10227	2	Lock Washer, 1/4"
	G10103	2	Hex Nut, 1/4"-20
29.	GA9840	1	Light Bracket
30.	GB0309	1	Light Mount Bracket
A.	G7698X	-	Push Row Unit Mounted Light Bracket Package (Items 21 And 22 On This Page And 42" Harness Extension, Item 5 On Pages P114 And P115)

CENTER PIVOT

PFA067/PFA068(TWL7c)

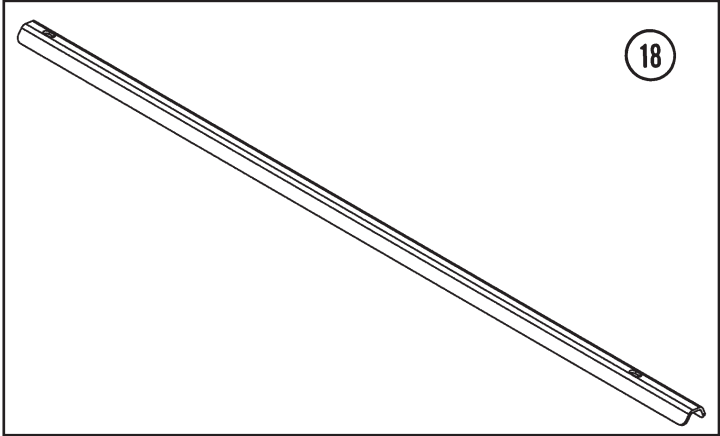
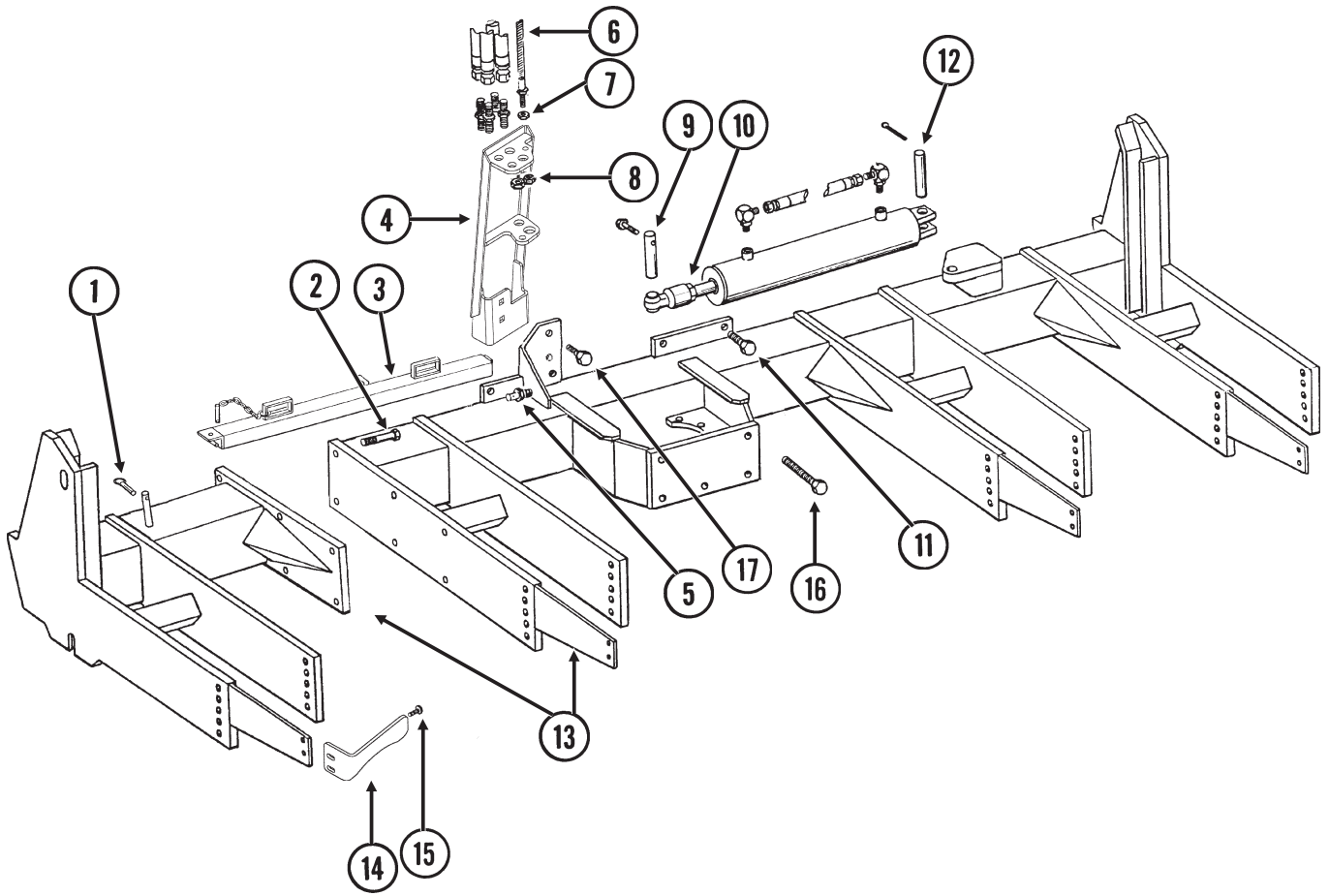


CENTER PIVOT

ITEM	PART NO.	QTY.	DESCRIPTION
1.		-	See "Center Lift Cylinder", Page P96
2.	GA6964	1	Hook Strap
3.	GD10447	1	Sleeve, 3 5/8"
	GD10446	1	Sleeve, 3 13/16"
4.	G10011	1	Hex Head Cap Screw, 5/8"-11 x 5 1/2"
	G10107	1	Lock Nut, 5/8"-11
5.	G10689	4	Carriage Bolt, 5/8"-11 x 2"
	G10107	4	Lock Nut, 5/8"-11
6.	G10027	4	Hex Head Cap Screw, 3/4"-10 x 2 1/2"
	GD2169	1	Special Washer, 25/32" I.D. x 1 1/4" O.D., Hardened
7.	GA5121	4	Pin, 2 1/8"
8.	G10017	4	Hex Head Cap Screw, 1/2"-13 x 1 1/2"
	G10216	4	Washer, 1/2" USS
	G10228	4	Lock Washer, 1/2"
	G10102	4	Hex Nut, 1/2"-13
9.	GR0375	2	Pin, 1" x 3 1/2"
	GR0193	4	Hair Pin Clip
10.	GA7540	1	Center Post
11.	G10441	8	Hex Head Cap Screw, 7/8"-9 x 3", Grade 8
	GD10063	8	Hardened Washer, 7/8"
	G11053	8	Hex Nut, 7/8"-9, Grade 8
12.	GA7096	2	Cone
13.	GA7067	1	Bearing Housing W/Cups, Less Grease Fitting
	GD10011	2	Cup
	G10779	1	Grease Fitting, 90°, 1/4"-28
14.	GD10012	-	Shim, .005" Thick (As Required)
	GD10013	-	Shim, .020" Thick (As Required)
	GD10014	-	Shim, .007" Thick (As Required)
15.	GD9130	1	O-Ring
16.	GD9636	1	Bearing Cap

AXLE ASSEMBLY

HTA043/HTA044/PFA071/PHA033/PHA034/PFA073(TWL140cc)

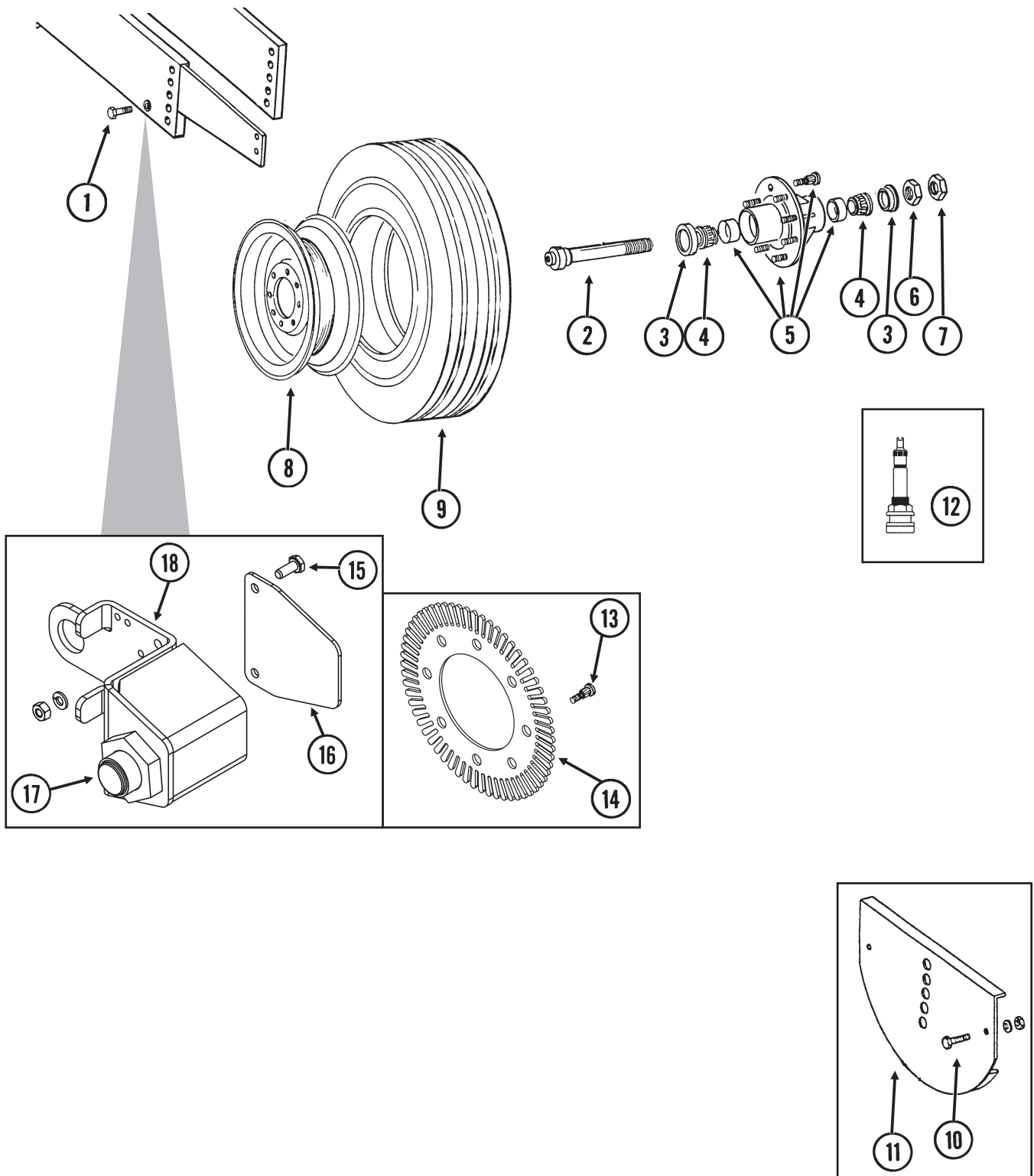


AXLE ASSEMBLY

ITEM	PART NO.	QTY.	DESCRIPTION
1.	GD2558	1	Lynch Pin, 1/4"
2.	G10802	6	Hex Head Cap Screw, 3/4"-10 x 2 3/4"
	G10028	-	Hex Head Cap Screw, 3/4"-10 x 3"
	G10231	6	Lock Washer, 3/4"
	G10105	6	Hex Nut, 3/4"-10
3.	GA7098	1	Manual Safety Lockup W/Detent Pin
	GA7022	1	Detent Pin W/Chain
4.	GA11200	1	Bulkhead Mount
5.	GD8276	1	Pin
	G10237	1	Lock Washer, 7/16"
	G10100	1	Hex Nut, 7/16"-14
6.	GA7120	1	Cable, 8 Row 36"/38"
	GA6608	-	Cable Assembly, 12 Row 30" And 16 Row 30"
7.	G10228	2	Lock Washer, 1/2"
	G10102	2	Hex Nut, 1/2"-13
8.	G306-08	2	Lock Nut, 3/4"-16
	G306-10	2	Lock Nut, 7/8"-14
9.	GD10092	1	Pin, 1 1/4" x 5 1/4"
	G10226	4	Washer, 1 1/4" SAE
	G10049	1	Hex Head Cap Screw, 3/8"-16 x 2 1/2"
	G10108	1	Lock Nut, 3/8"-16
10.		-	See "Rotation Cylinder", Page P96
11.	G10437	4	Hex Head Cap Screw, 3/4"-8 x 2 1/2", Grade 8, "Y" Hitch
	G10810	4	Hex Head Cap Screw, 3/4"-10 x 3 1/2", Grade 8, "T" Hitch
	GD2169	4	Special Washer, 25/32" I.D. x 1 1/4" O.D., Hardened
	G10436	4	Hex Nut, 3/4"-10
12.	GD10064	1	Pin, 1 1/4" x 5 1/4"
	G10460	2	Cotter Pin, 1/4" x 2"
13.	GA8062	-	Axle W/Stub Axle, 12 Row 30" And 16 Row 30"
	GA9883	-	Stub Axle, Narrow Row
	GA8063	-	Axle W/Stub Axle, 8 Row 36"/38"
	GA9882	-	Stub Axle, Wide Row
14.	GD12543	-	Scraper
15.	G10636	-	Carriage Bolt, 1/2"-13 x 1 1/2"
	G10216	-	Washer, 1/2" USS
	G10228	-	Lock Washer, 1/2"
	G10102	-	Hex Nut, 1/2"-13
16.	G10808	6	Hex Head Cap Screw, 1"-8 x 10", Grade 8, "Y" Hitch
	G10811	6	Hex Head Cap Screw, 1"-8 x 11", Grade 8, "T" Hitch
	GD10231	6	Special Washer, 1 1/16" I.D. x 2" O.D.
	G10647	6	Hex Nut, 1"-8, Grade 8
17.	G10636	-	Carriage Bolt, 1/2"-13 x 1 1/2"
	G10228	-	Lock Washer, 1/2"
	G10102	-	Hex Nut, 1/2"-13
18.	GD18645	1	Cable Gaurd (If Applicable)

TRANSPORT WHEELS/ROCK GUARDS

HTA032/HTA040/HTA043/HTA004(TWL141c)



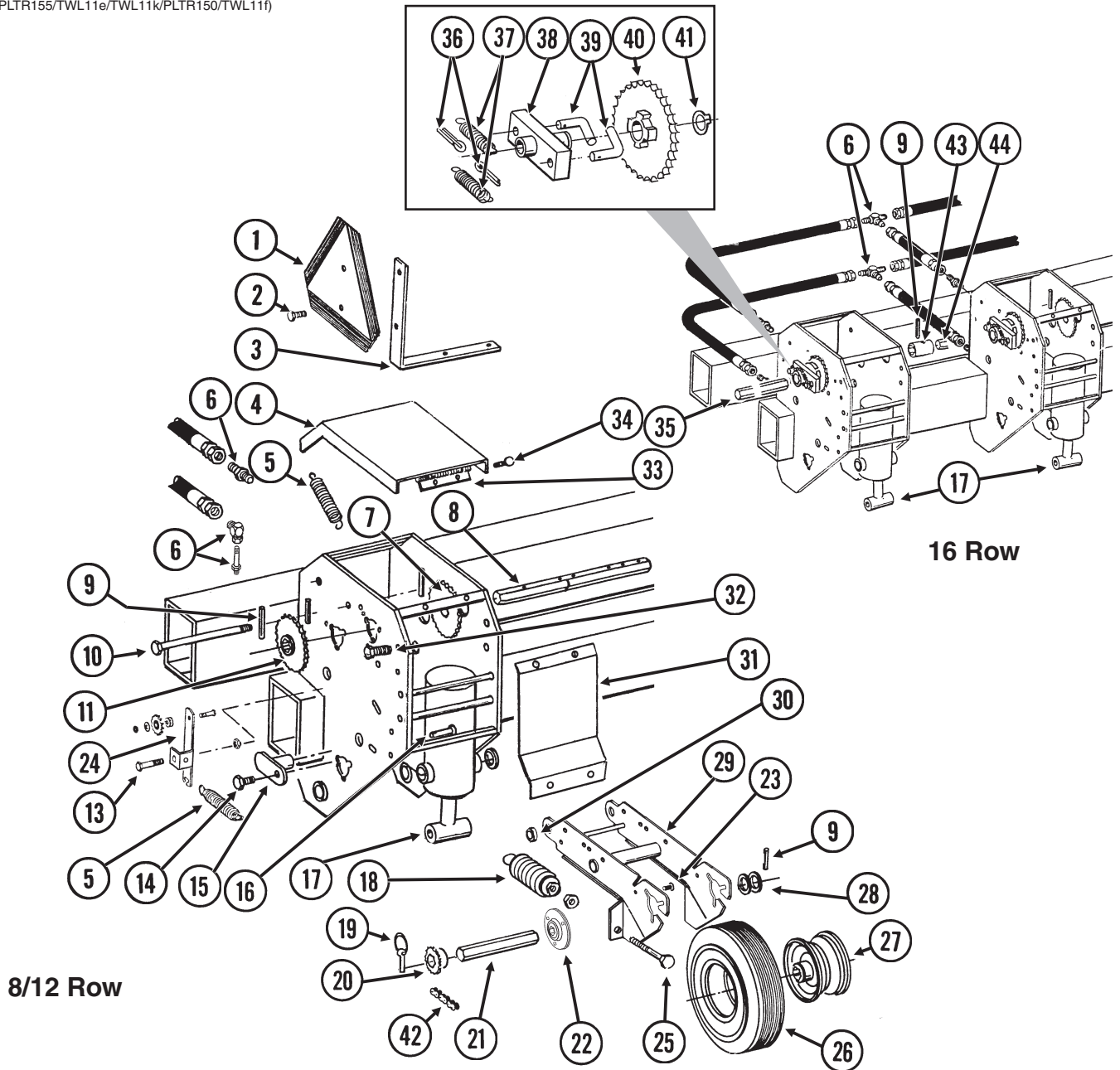
TRANSPORT WHEELS/ROCK GUARDS

ITEM	PART NO.	QTY. (Per Assy.)	DESCRIPTION
1.	G10448	2	Hex Head Cap Screw, 7/8"-9 x 2 1/2", Grade 8
	G10330	2	Lock Washer, 7/8"
2.	GA4727	1	Spindle W/Retaining Ring, 1 3/4"
	G10913	-	External Retaining Ring, 2 1/2"
3.	GA4722	2	Seal
4.	GA4723	2	Bearing
5.	GA4729	1	Hub W/Cups, Bolts, Nuts And Grease Fitting, 8 Bolt, 1 3/4" Bore
	G10640	-	Grease Fitting, 1/4"-28
	GD7079	-	Cup
	GR0528	-	Stud, 5/8"-18 x 2 1/4", Grade 8
6.	GD7089	1	Special Nut, 1 3/4"-12 UNF
7.	GD7864	1	Special Hex Nut, 1 3/4"-12 UNF
8.	GA9544	-	Rim, 5.5" x 22.5", All Sizes
9.	GD13409	-	Tire, 255-70R 22.5" W/O Center Rib, Tubeless (Specify Brand*)
10.	G10037	-	Hex Head Cap Screw, 1/2"-13 x 1 1/4"
	G10228	-	Lock Washer, 1/2"
	G10102	-	Hex Nut, 1/2"-13
11.	GA5716	-	Rock Guard (Optional)
12.	GA7434	-	Valve Stem
13.	GD18676	4	Lug Bolt, 5/8"-18 x 2 3/4" (If Applicable)
14.	GD18643	1	Jump Start Wheel (If Applicable)
15.	G10020	2	Hex Head Cap Screw, 1/4"-20 x 5/8" (If Applicable)
	G10227	2	Lock Washer, 1/4" (If Applicable)
	G10103	2	Hex Nut, 1/4"-20 (If Applicable)
16.	GD18646	1	Sensor Bracket Cover (If Applicable)
17.	GA13204	1	Hall Effect Sensor (If Applicable)
18.	GA13227	1	Sensor Bracket (If Applicable)
A.	GA9545	-	Tire And Rim Assembly (Items 8, 9 And 12) (Specify Brand*)
B.	GA13214	-	Sensor Bracket Assembly (Items 15 - 18) (If Applicable)

* Specific brand requests will be supplied only as available from current KINZE® Repair Parts stock. If a specific brand requested is not in stock, the brand available will be supplied.

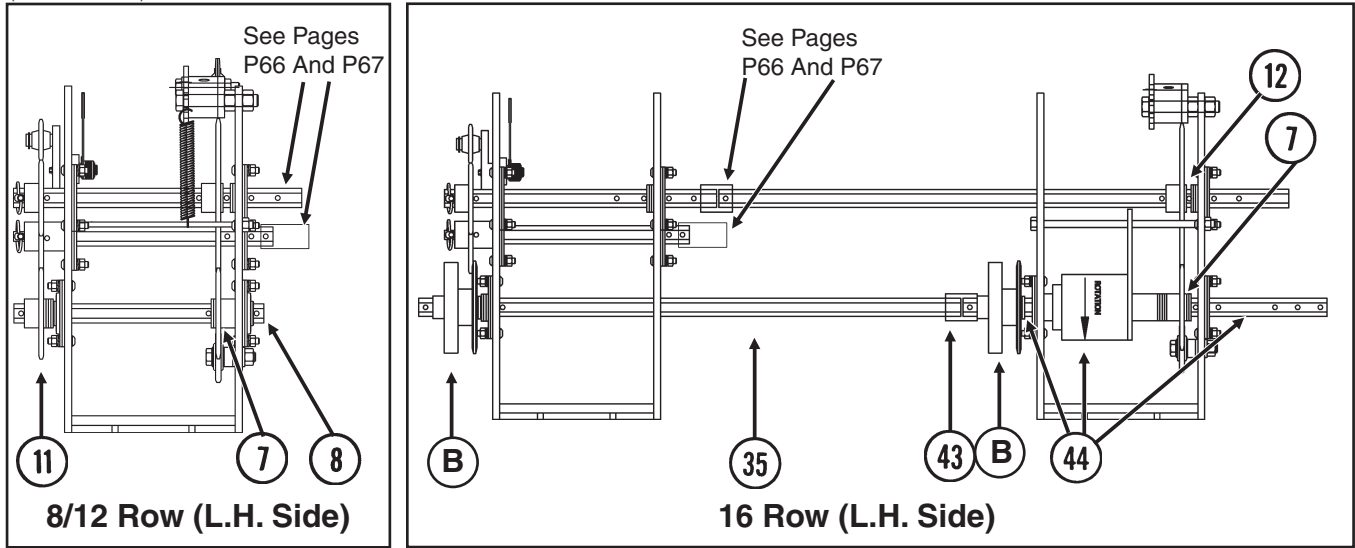
CONTACT WHEEL AND DRIVE SHAFT(S)

(PLTR155/TWL11e/TWL11k/PLTR150/TWL11f)



CONTACT WHEEL AND DRIVE SHAFT(S)

(TWL157/TWL156)



ITEM	PART NO.	QTY.	DESCRIPTION
------	----------	------	-------------

(Per Assy.)

1.	GD2199	1	SMV Sign
2.	G10022	2	Hex Head Cap Screw, 1/4"-20 x 1/2"
	G10227	2	Lock Washer, 1/4"
	G10103	2	Hex Nut, 1/4"-20
3.	GD9969	1	Bracket
4.	GD10298	1	Cover
5.	GD5857	2	Spring
6.		-	See "Hydraulic Hoses And Fittings On Planter Frame", Pages P112 And P113
7.		-	See "Inner Module Drive", Page P83
8.	GD10543	1	Hex Shaft, 7/8" x 13", See "Point Row Clutch", Pages P84-P87 (For 8 And 12 Row Machines Equipped With Point Row Clutches)
9.	G10602	4	Spring Pin, 1/4" x 1 1/2"
10.	G10595	-	Hex Head Cap Screw, 3/8"-16 x 10" (Used To Secure Point Row Clutch)
	G10108	-	Lock Nut, 3/8"-16
11.	GA5114	1	Sprocket, 30 Tooth
12.	G10233	2	Machine Bushing, 1", 10 Gauge
	G10345	2	Machine Bushing, 1", 14 Gauge
13.	G10036	1	Hex Head Cap Screw, 5/8"-11 x 4"
	G10104	1	Hex Nut, 5/8"-11
	G10107	1	Lock Nut, 5/8"-11
14.	G10017	2	Hex Head Cap Screw, 1/2"-13 x 1 1/2"
	G10216	2	Washer, 1/2" USS
	G10228	2	Lock Washer, 1/2"
	G10102	2	Hex Nut, 1/2"-13
15.	GA5121	2	Pin, 2 1/8"
16.	G10870	1	Clevis Pin, 3/8" x 1"
	G10860	1	Retaining Ring, 3/8"
17.		-	See "Wing Lift Cylinder", Page P97
18.	GA2068	2	Spring W/Plug
19.	GD2558	1	Lynch Pin, 1/4"
20.	GA12192	1	Sprocket, 22 Tooth
	GA5113	1	Sprocket, 28 Tooth
	GA12191	-	Sprocket, 44 Tooth

(Continued On Following Page)

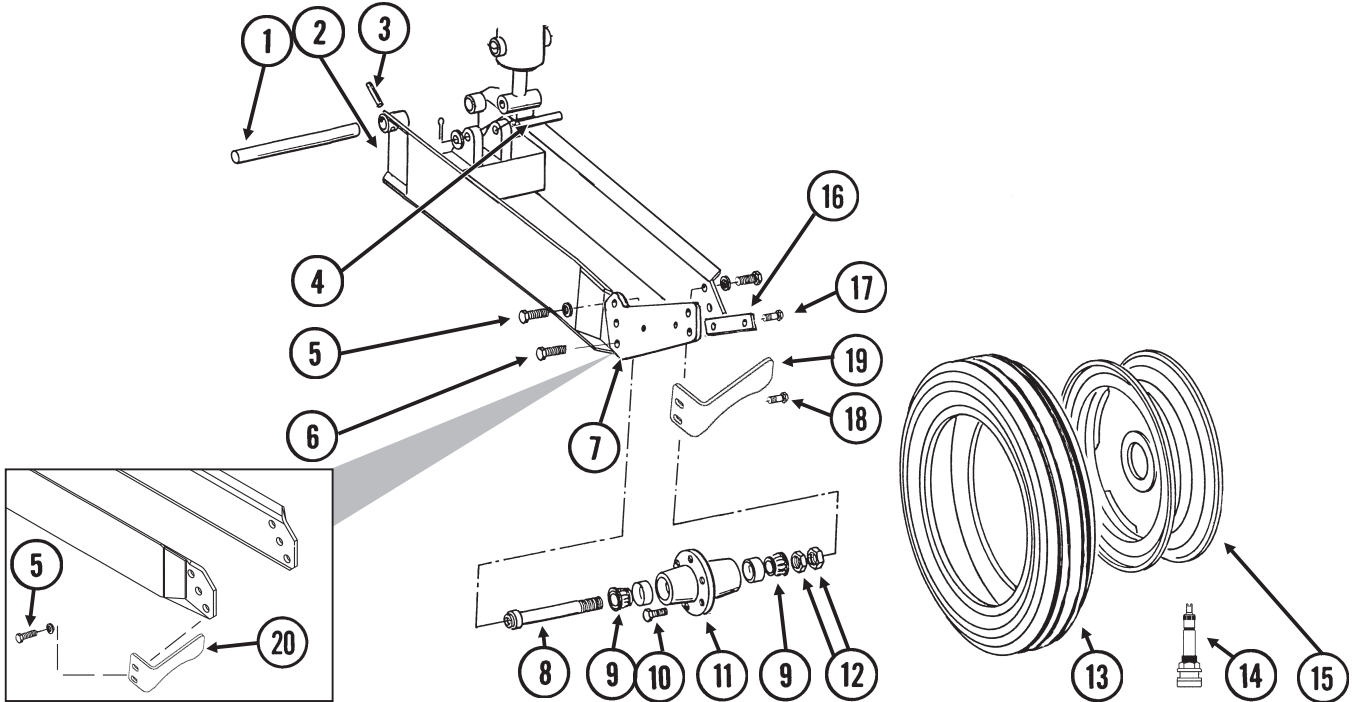
CONTACT WHEEL AND DRIVE SHAFT(S)

ITEM	PART NO.	QTY. (Per Assy.)	DESCRIPTION
(Continued)			
21.	GD6775	1	Hex Shaft, 7/8" x 11 3/4" (2 Holes)
22.	GA9846	-	Flanged Bearing, 7/8" Hex Bore
23.	G10303	6	Carriage Bolt, 5/16"-18 x 1"
	G10232	6	Lock Washer, 5/16"
	G10106	6	Hex Nut, 5/16"-18
24.	GA9553	1	Idler W/Sprocket And Hardware, L.H. Side Of Planter
	GA9554	-	Idler W/Sprocket And Hardware, R.H. Side Of Planter
	GA7154	-	Sprocket W/Bearing, 18 Tooth
	G10017	-	Hex Head Cap Screw, 1/2"-13 x 1 1/2"
	G10128	-	Machine Bushing, 1/2", 14 Gauge
	G10501	-	Hex Jam Nut, 1/2"-13, Grade 2
25.	G10890	2	Hex Head Adjusting Bolt, 1/2"-13 x 4", Grade 2
	G10501	2	Hex Jam Nut, 1/2"-13, Grade 2
26.	GD4700	1	Tire, 4.80" x 8", 4 Ply, Rib Implement (Specify Brand*)
27.	GA3553	1	Rim, 3.75" x 8"
	GD4701	-	Valve Stem
28.	G10233	-	Machine Bushing, 1", 10 Gauge
29.	GA7372	1	Wheel Arm
30.	GB0218	2	Bushing, 2 1/32" I.D. x 7/8" O.D. x 1 9/32" Long
31.	GD6895	1	Shield
32.	G10005	2	Hex Head Cap Screw, 5/8"-11 x 1 3/4"
	G10235	4	Machine Bushing, 7/8", 14 Gauge
	GD7805	2	Special Washer, 5/8", Hardened
	G10205	2	Washer, 5/8" SAE
	G10107	2	Lock Nut, 5/8"-11
33.	GD5789	1	Hinge, Female
	GD5790	1	Hinge W/Pins, Male
34.	G10064	6	Hex Head Cap Screw, 1/4"-20 x 1"
	G10209	4	Washer, 1/4" USS
	G10227	6	Lock Washer, 1/4"
	G10103	6	Hex Nut, 1/4"-20
35.	GD10099	-	Hex Shaft, 7/8" x 29 5/8"
36.	G10453	2	Cotter Pin, 3/16" x 1"
37.	GD1256	2	Spring
38.	GA0378	1	Block And Hub Assembly
39.	GD1255	2	L-Pin
40.	GA5165	1	Sprocket, 30 Tooth
41.	G10430	1	External Retaining Ring, 1 1/4"
42.	G3310-114	1	Chain, No. 40, 114 Pitch Including Connector Link (Used With 22 Tooth Sprocket)
	G3310-118	-	Chain, No. 40, 118 Pitch Including Connector Link (Used With 28 Tooth Sprocket)
	G3310-126	-	Chain, No. 40, 126 Pitch Including Connector Link (Used With 44 Tooth Sprocket)
	GR0912	-	Connector Link, No. 40
43.	GD5212	1	Coupler, 1 3/4", 16 Row 30" Only
44.		-	See "Point Row Clutch", Pages P84-P87
A.	GA3552	-	Tire And Rim Assembly (Items 26 And 27) (Specify Brand*)
B.	GA5164	-	Ratchet/Sprocket Assembly, L.H. Side Of Planter (Items 36-41)
	GA9843	-	Ratchet/Sprocket Assembly, R.H. Side Of Planter (Items 36-41)
C.	G1K324	-	Contact Wheel Arm Replacement Kit (Items 9, 21-23, 25, 28 And 29)

* Specific brand requests will be supplied only as available from current KINZE® Repair Parts stock. If a specific brand requested is not in stock, the brand available will be supplied. Different brand tires may have different diameters. Change in tire brand may affect rates. Field checks are recommended after any change in contact tires.

GROUND DRIVE WHEEL

PTD057(TWL142c/TWL142d)

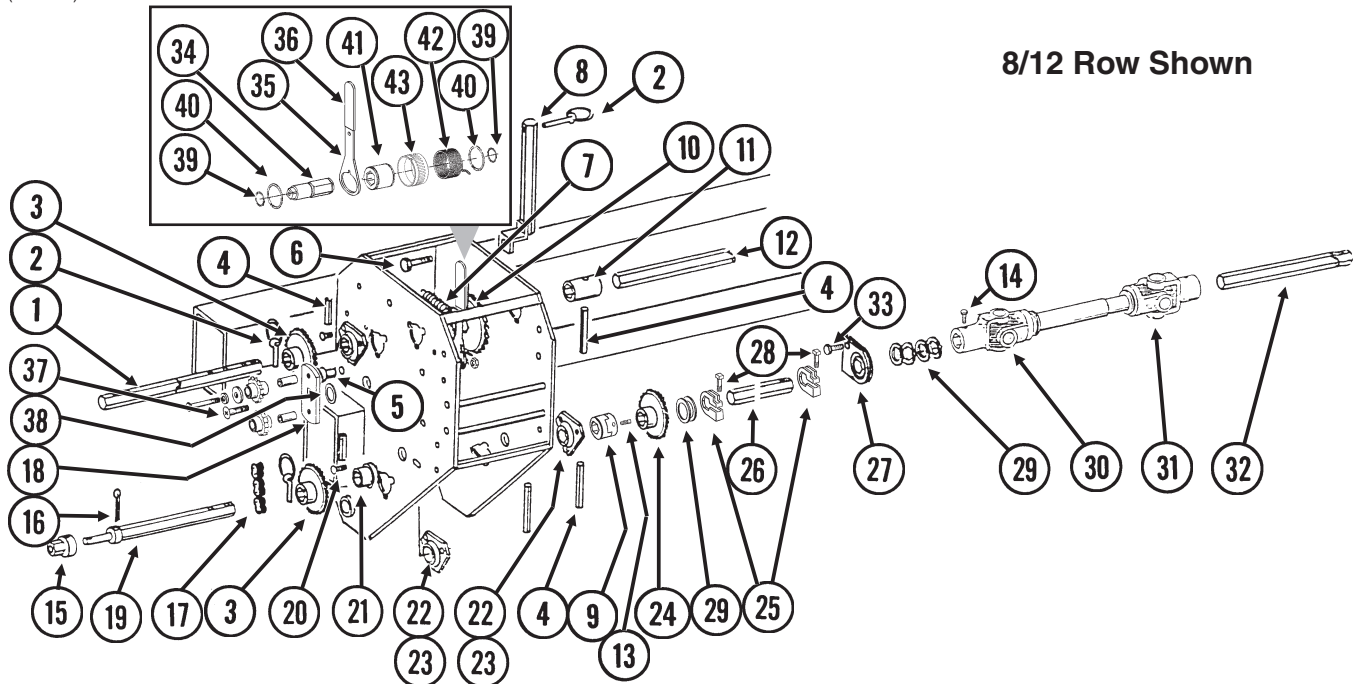


ITEM	PART NO.	QTY. (Per Assy.)	DESCRIPTION
1.	GD11695	-	Pin, 1 1/4" x 13 1/4"
2.	GA8677	1	Wheel Module
3.	G10610	-	Spring Pin, 3/8" x 2"
4.	GD5841	1	Pin, 1 1/4" x 5 5/8"
	G10226	2	Washer, 1 1/4" SAE
	G10460	2	Cotter Pin, 1/4" x 2"
5.	G10026	2	Hex Head Cap Screw, 3/4"-10 x 2"
	G10231	2	Lock Washer, 3/4"
6.	G10026	2	Hex Head Cap Screw, 3/4"-10 x 2"
	G10231	2	Lock Washer, 3/4"
	G10105	2	Hex Nut, 3/4"-10
7.	GD10128	1	Scraper Arm (If Applicable)
8.	GA4376	1	Spindle W/Round External Retaining Ring, 10"
	GD11490	-	Round External Retaining Ring
9.	GA0895	2	Bearing
10.	GR0270	6	Lug Bolt, 9/16"-18
11.	GA2148	1	Hub W/Cups, 6 Bolt
	GR0434	-	Cup
12.	G11081	2	Hex Jam Nut, 1 1/2"-12, Grade 2
13.	GD13401	1	Tire, 7.50" x 20", 8 Ply, Tubeless W/O Center Rib (Specify Brand*)
14.	GA7434	-	Valve Stem
15.	GA2908	1	Rim, 5.5" x 20"
16.	GD10144	1	Bar Clamp (If Applicable)
17.	G10017	1	Hex Head Cap Screw, 1/2"-13 x 1 1/2"
	G10039	1	Hex Head Cap Screw, 1/2"-13 x 1 3/4"
	G10228	2	Lock Washer, 1/2"
	G10102	2	Hex Nut, 1/2"-13
18.	G10636	2	Carriage Bolt, 1/2"-13 x 1 1/2"
	G10216	2	Washer, 1/2" USS
	G10228	2	Lock Washer, 1/2"
	G10102	2	Hex Nut, 1/2"-13
19.	GD12543	1	Scraper
20.	GA13335	1	Scraper
A.	GA7997	-	Tire And Rim Assembly (Specify Brand*) (Items 13-15)
B.	GA4377	-	Hub And Spindle Assembly (Items 8, 9, 11 And 12)

* Specific brand requests will be supplied only as available from current KINZE® Repair Parts stock. If a specific brand requested is not in stock, the brand available will be supplied.

SEED RATE TRANSMISSION AND ROW UNIT DRILL SHAFTS

(TWL14o)



ITEM	PART NO.	QTY. (Per Side)	DESCRIPTION
1.	GD6780	1	Shaft, 7/8" x 15"
2.	GD2558	3	Lynch Pin, 1/4"
3.	GA5105	1	Sprocket, 15 Tooth
	GA5106	1	Sprocket, 17 Tooth
	GA5107	2	Sprocket, 19 Tooth
	GA5108	2	Sprocket, 23 Tooth
	GA5109	1	Sprocket, 24 Tooth
	GA5110	1	Sprocket, 25 Tooth
	GA5111	1	Sprocket, 26 Tooth
	GA5112	1	Sprocket, 27 Tooth
	GA5113	1	Sprocket, 28 Tooth
	GA5114	1	Sprocket, 30 Tooth
4.	G10602	-	Spring Pin, 1/4" x 1 1/2"
5.	G10870	1	Clevis Pin, 3/8" x 1"
	G10860	1	Retaining Ring, 3/8"
6.	G10581	1	Hex Head Cap Screw, 1/2"-13 x 2 1/4"
	GD4887-14	1	Sleeve, 1" O.D. x 9/16" I.D. x 7/8"
	G10527	2	Lock Washer, 1/2", Internal/External
	G10111	1	Lock Nut, 1/2"-13
7.	GD5857	1	Spring
8.	GA10832	1	Sprocket Storage Rod
9.	GB0287	2	Coupler
10.		-	See "Inner Module Drive", Page P83
11.	GD5212	1	Coupler, 1 3/4", 16 Row 30" Only
12.	GD10100	1	Hex Shaft, 7/8" x 31 3/8", 16 Row 30" Only
13.	G10131	4	Square Head Set Screw, 5/16"-18 x 3/4"
14.	G10688	-	Square Head Set Screw, 3/8"-16 x 5/8"
15.	GD7127	1	Shear Coupler
16.	G10462	-	Cotter Pin, 3/16" x 2"
17.	G3310-80	1	Chain, No. 40, 80 Pitch Including Connector Link
	GR0912	-	Connector Link, No. 40
18.	GA7336	1	Idler W/Bolt-On Sprockets
	GD7426	-	Sprocket, 12 Tooth
	G10047	-	Hex Head Cap Screw, 3/8"-16 x 1 3/4"
	GD1026	-	Sleeve, 1 3/16" Long
	G10210	-	Washer, 3/8" USS
	G10229	-	Lock Washer, 3/8"

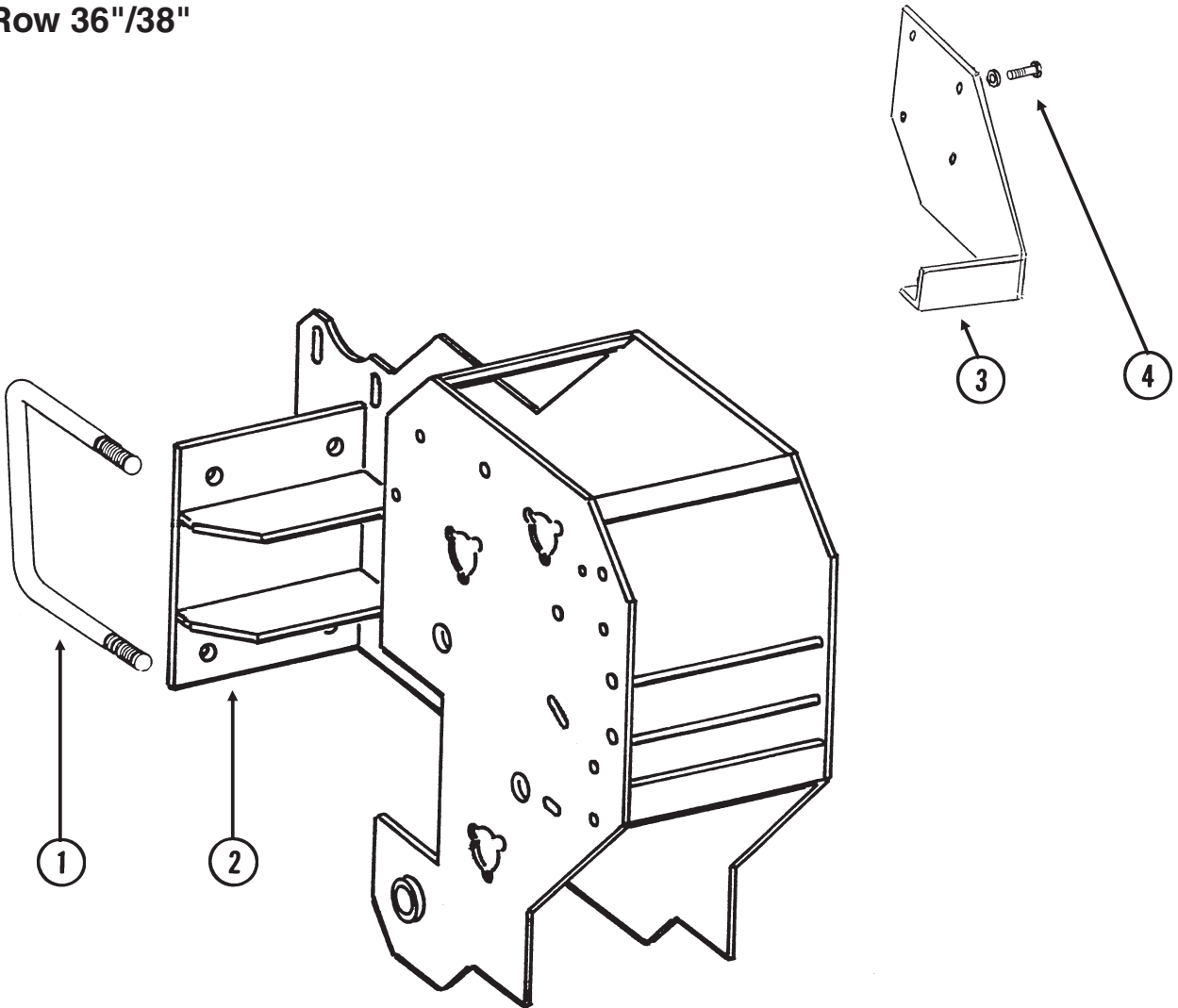
SEED RATE TRANSMISSION AND ROW UNIT DRILL SHAFTS

ITEM	PART NO.	QTY. (Per Side)	DESCRIPTION
19.	GD7612	1	Shaft, 7/8" x 13 1/2"
20.	G10303	-	Carriage Bolt, 5/16"-18 x 1"
	G10232	-	Lock Washer, 5/16"
	G10106	-	Hex Nut, 5/16"-18
21.	GA5548	1	Special Bearing
22.	G3400-01	-	Flangette
23.	G2100-03	-	Bearing, 7/8" Hex Bore, Spherical
24.	GA5107	1	Sprocket, 19 Tooth, Interplant® Package Drive
25.	GD11045	-	Lock Clamp
26.	GD0914-58.5	2	Hex Shaft, 7/8" x 58 1/2" (No Holes), Wing, 8 Row 36"/38"
	GD0914-106.5	-	Hex Shaft, 7/8" x 106 1/2" (No Holes), Wing, 12 Row 30"
	GD0914-166.75	-	Hex Shaft, 7/8" x 166 3/4" (No Holes), Wing, 16 Row 30"
27.	GA2180	-	Hanger Bearing, 7/8" Hex Bore
28.	G10130	-	Square Head Machine Bolt, 5/16"-18 x 1 3/4"
	G10923	-	Flange Nut, 5/16"-18, No Serration
29.	G10233	-	Machine Bushing, 1", 10 Gauge
30.	GA7053	1	U-Joint W/Grease Fitting, Female, 18 1/8" Long, 8 Row 36"/38" And 12 Row 36"/38"
	GA7052	-	U-Joint W/Grease Fitting, Female, 10 1/4" Long, 12 Row 30" And 16 Row 30"
	GR1557	-	Grease Fitting, 45°, Metric
	GR1298	-	Inboard Yoke And Outer Profile (18 1/4" U-Joint)
	GR1297	-	Inboard Yoke And Outer Profile (10 1/4" U-Joint)
	GR1294	-	Cross And Bearing Kit
	GR1293	-	Yoke, 7/8" Hex
31.	GA7051	-	U-Joint W/Grease Fitting, Male, 12 1/4" Long
	GR1557	-	Grease Fitting, 45°, Metric
	GR1296	-	Inner Profile
	GR1295	-	Inboard Yoke
	GR1301	-	Spring Pin, 8 mm x 50 mm
	GR1294	-	Cross And Bearing Kit
	GR1293	-	Yoke, 7/8" Hex
32.	GD0914-53	1	Hex Shaft, 7/8" x 53" (No Holes), R.H. Main Frame, 8 Row 36"/38"
	GD0914-44	1	Hex Shaft, 7/8" x 44" (No Holes), L.H. Main Frame, 8 Row 36"/38"
	GD0914-45	1	Hex Shaft, 7/8" x 45" (No Holes), R.H. Main Frame, 12 Row 30" And 16 Row 30"
	GD0914-35	-	Hex Shaft, 7/8" x 35" (No Holes), L.H. Main Frame, 12 Row 30" And 16 Row 30"
	GD0914-38	-	Hex Shaft, 7/8" x 38" (No Holes), L.H. Main Frame, 12 Row 30" And 16 Row 30" (If Applicable) (Air Clutch)
33.	G10004	2	Hex Head Cap Screw, 3/8"-16 x 1 1/4"
	G10229	2	Lock Washer, 3/8"
	G10101	-	Hex Nut, 3/8"-16
34.	GD14426	1	Tightener Shaft, 3 3/8"
35.	GD14431	1	Handle
36.	G11078	1	Vinyl Cap
37.	G11100	1	Hex Socket Button Head Cap Screw, 1/4"-20 x 1/2", Grade 8
	G10227	1	Lock Washer, 1/4"
	G10209	1	Washer, 1/4" USS
38.	G10235	1	Machine Bushing, 7/8", 14 Gauge
39.	G10496	2	External Inverted Snap Ring, 1 1/2"
40.	G11075	2	External Inverted Snap Ring, 7/8"
41.	GD14432	1	Sleeve, 1 1/4"
42.	GD14414	1	Torsion Spring, R.H. (Used In L.H. Wrap Spring Wrench)(Shown)
	GD14413	-	Torsion Spring, L.H. (Used In R.H. Wrap Spring Wrench)
43.	GD19344	-	Release Collar, Gray, L.H. (Shown)
	GD19343	1	Release Collar, Blue, R.H.
A.	G1K269	-	Lock Clamp Kit (Items 25 And 28)
B.	G1K381	-	Wrap Spring Wrench Replacement Kit, Gray Collar, L.H. (Items 34-43) (Shown)
	G1K380	1	Wrap Spring Wrench Replacement Kit, Blue Collar, R.H. (Items 34-43)

BOLT-ON WHEEL MODULE/TRANSPORT LATCH CATCH

PFA072(TWL15a)

8 Row 36"/38"

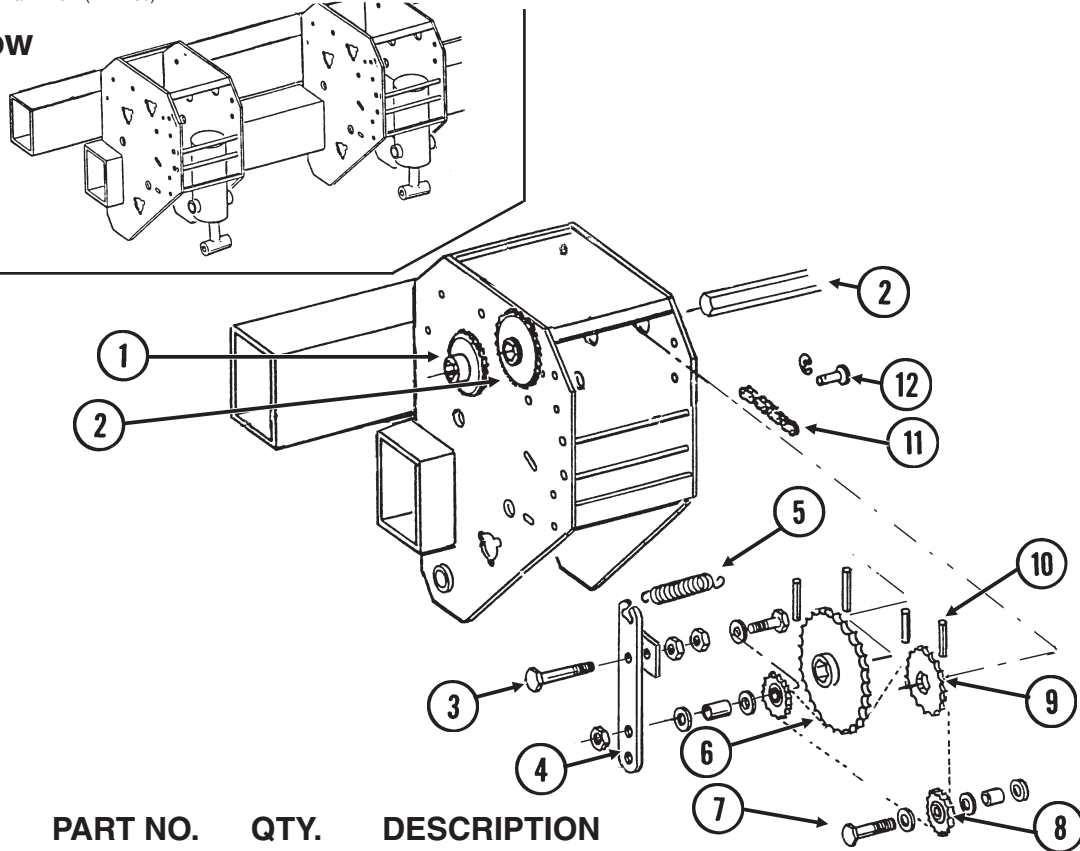


ITEM	PART NO.	QTY. (Per Side)	DESCRIPTION
1.	GD1747	5	U-Bolt, 5" x 7" x 3/4"-10
	G10231	10	Lock Washer, 3/4"
	G10105	10	Hex Nut, 3/4"-10
2.	GA8071	1	Wheel Tower W/Grease Fitting, L.H.
	GA8070	-	Wheel Tower W/Grease Fitting, R.H.
	G10640	-	Grease Fitting, 1/4"-28
3.	GA7108	1	Transport Latch Catch
4.	G10007	4	Hex Head Cap Screw, 5/8"-11 x 1 1/2"
	G10230	4	Lock Washer, 5/8"

INNER MODULE DRIVE

PTD058/PFA046/PTD077(TWL16e)

16 Row

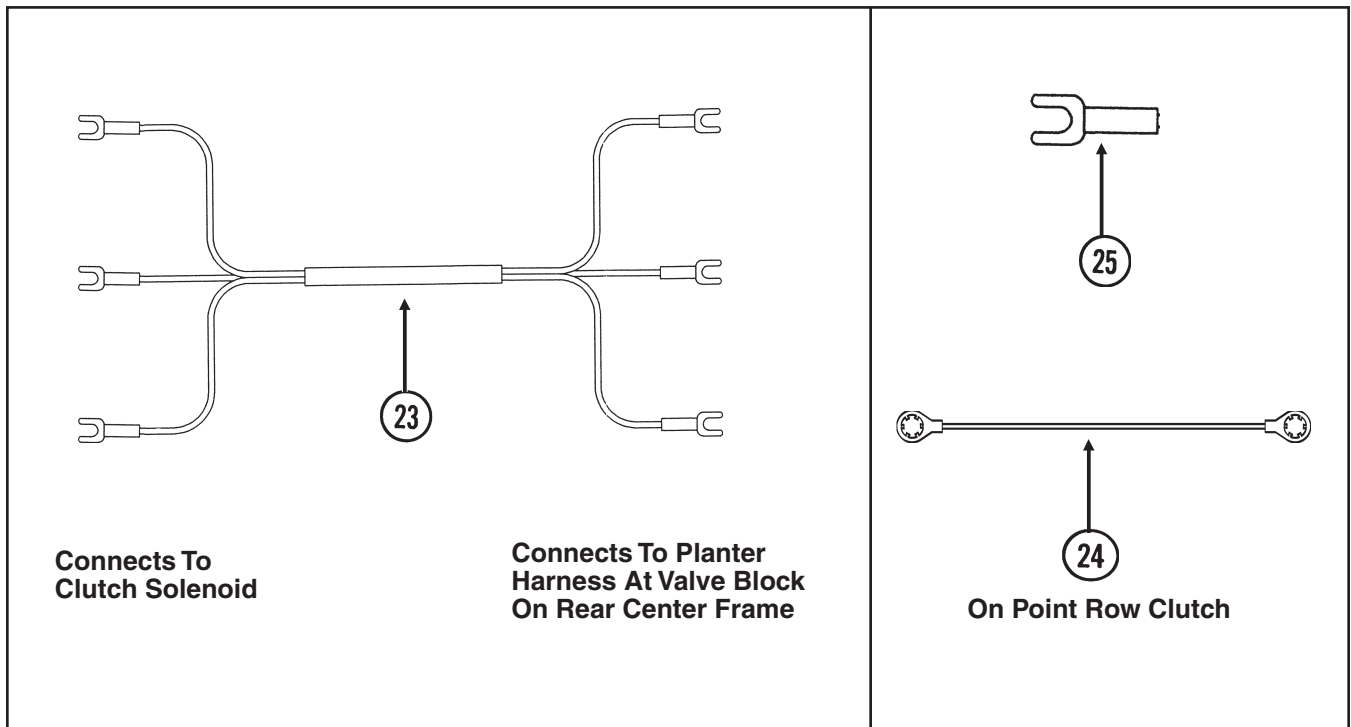
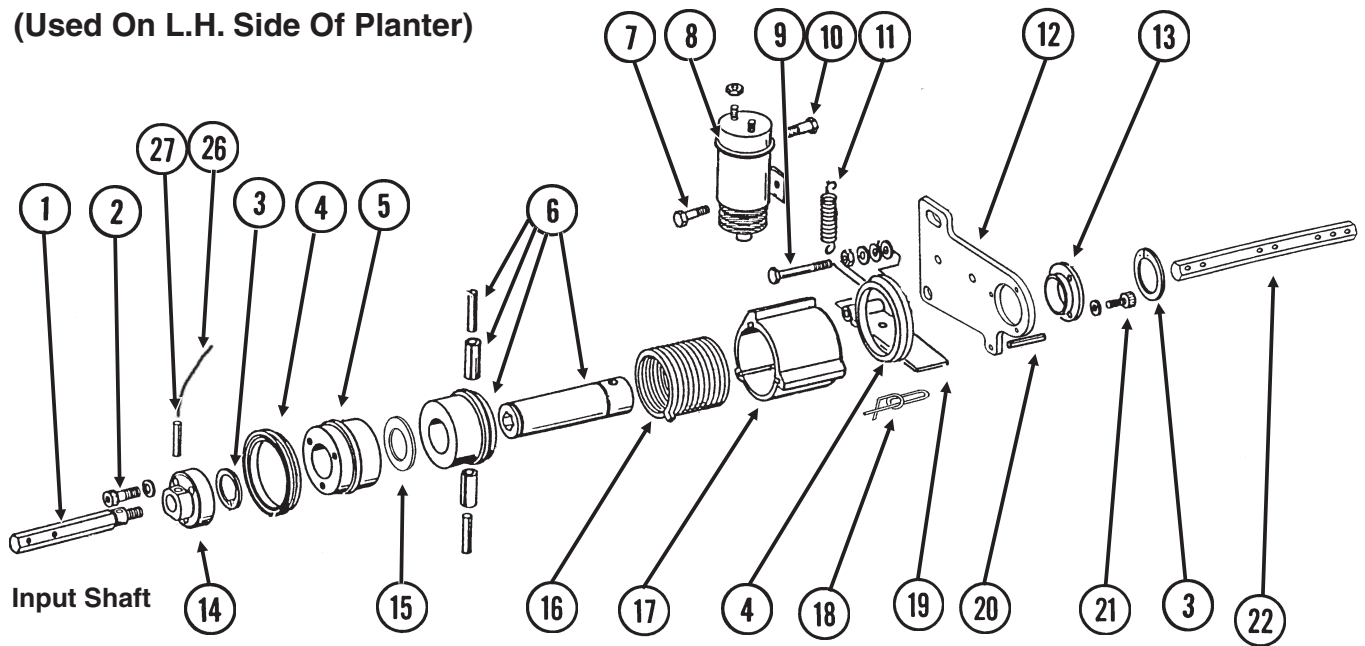


ITEM	PART NO.	QTY.	DESCRIPTION
		(Per Module)	
1.		-	See "Seed Rate Transmission And Row Unit Drill Shafts", Pages P80 And P81
2.		-	See "Contact Wheel And Drive Shaft(s)", Pages P76-P78
3.	G10743	1	Hex Head Cap Screw, 5/8"-11 x 3 3/4"
	G10918	3	Machine Bushing, 5/8", 14 Gauge (As Required)
	G10503	1	Hex Jam Nut, 5/8"-11, Grade 2
	G10107	1	Lock Nut, 5/8"-11
4.	GA9558	1	Idler W/Sprocket And Hardware, L.H. Side Of Planter
	GA9557	-	Idler W/Sprocket And Hardware, R.H. Side Of Planter
	GA7154	-	Sprocket W/Bearing, 18 Tooth
	G10038	-	Hex Head Cap Screw, 1/2"-13 x 3"
	GD10007	-	Spacer, 1 1/8" Long
	G10206	-	Washer, 1/2" SAE
	G10111	-	Lock Nut, 1/2"-13
5.	GD5857	1	Spring
6.	GA5194	1	Sprocket, 50 Tooth
7.	G10581	1	Hex Head Cap Screw, 1/2"-13 x 2 1/4"
	GD7889	1	Bushing, 1" O.D. x 9/16" I.D. x 7/16" Long
	G10168	2	Machine Bushing, 1/2", 7 Gauge
	G10205	2	Washer, 5/8" SAE
	G10111	1	Lock Nut, 1/2"-13
8.	GA7154	1	Sprocket W/Bearing, 18 Tooth
9.	GA5113	1	Sprocket, 28 Tooth
10.	G10602	-	Spring Pin, 1/4" x 1 1/2"
11.	G3310-100	1	Chain, No. 40, 100 Pitch Including Connector Link
	GR0912	-	Connector Link, No. 40
12.	G10870	1	Clevis Pin, 3/8" x 1"
	G10860	1	Retaining Ring, 3/8"

POINT ROW CLUTCH

PRC019(TWL70d/TWL71d/TWL71/TWL18/
A10054)

**L.H. Point Row Clutch Shown
(Used On L.H. Side Of Planter)**



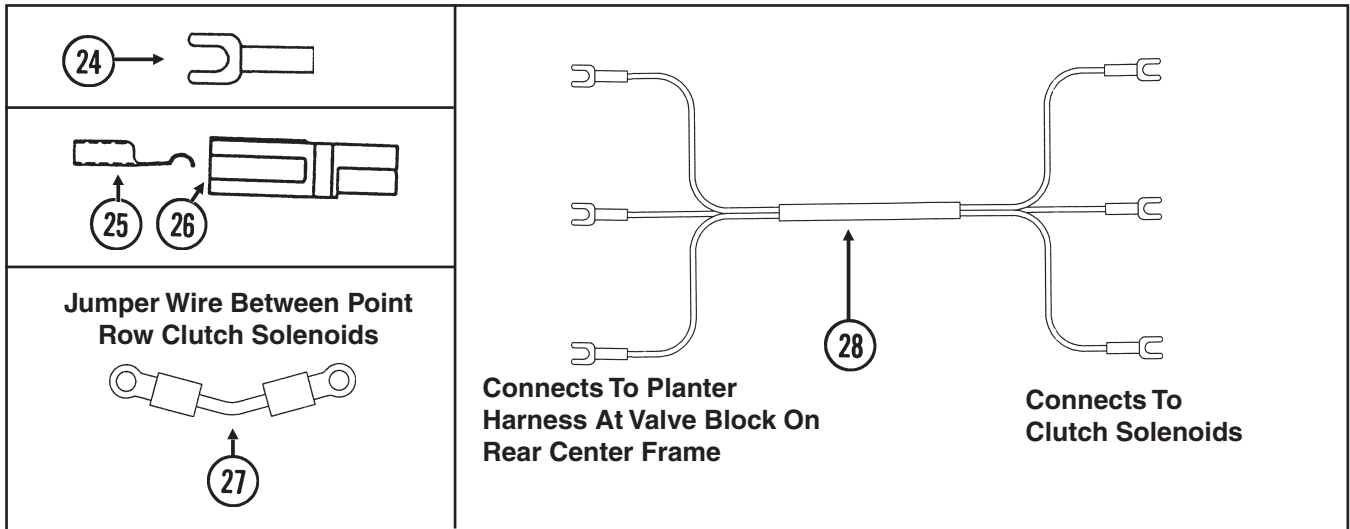
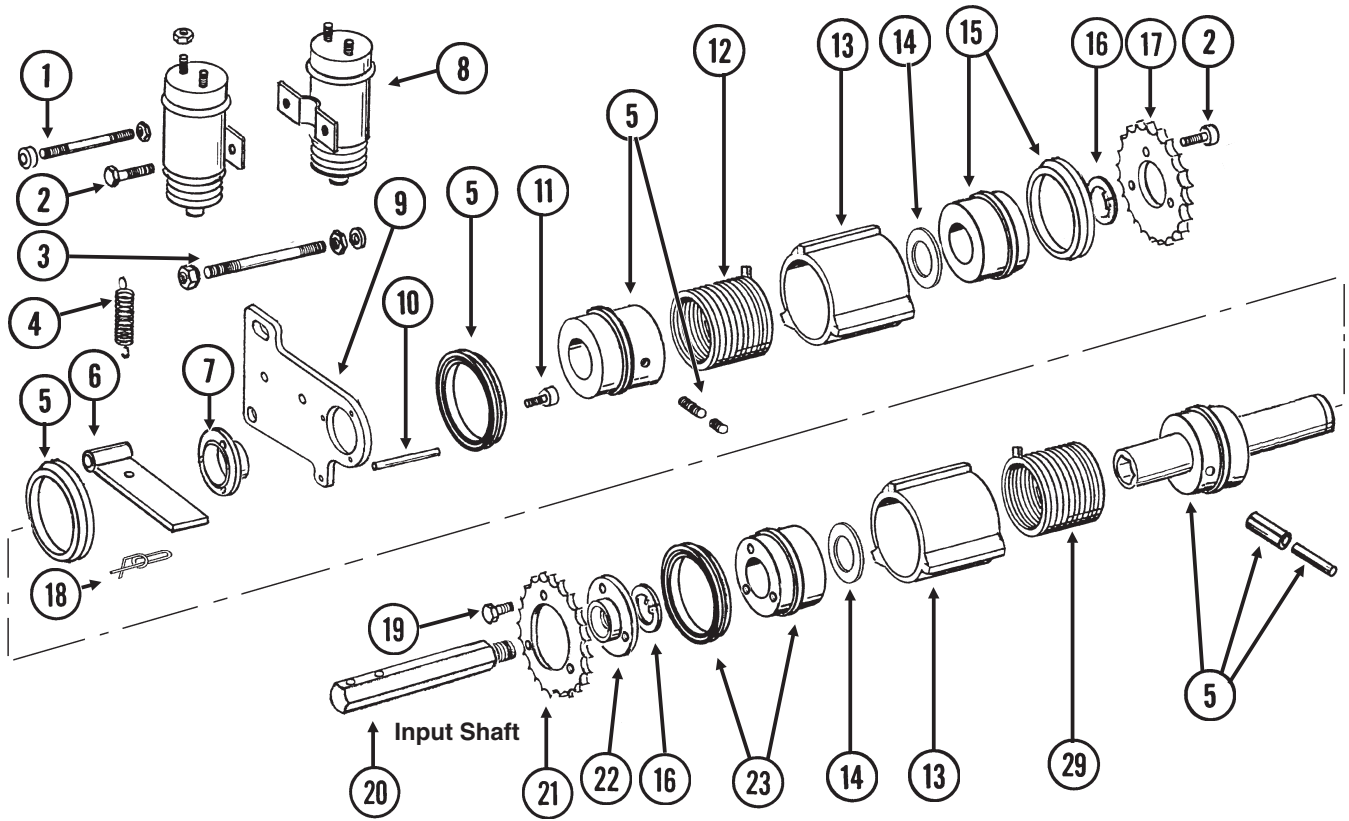
POINT ROW CLUTCH

ITEM	PART NO.	QTY. (Per Assy.)	DESCRIPTION
1.	GD10068	1	Input Shaft, R.H. Threads (Shown)
	GD10069	1	Input Shaft, L.H. Threads
2.	G10374	3	Hex Socket Head Cap Screw, 1/4"-20 x 1"
	G10227	3	Lock Washer, 1/4"
3.	G10496	2	External Inverted Snap Ring, 1 1/2"
4.	GD14512	2	V-Ring Seal
5.	GD10104	1	Input Hub
6.	GA7137	1	Hub/Sleeve Assembly W/Spring Pins
	G10765	-	Spring Pin, 1/4" x 1"
	G10804	-	Spring Pin, 5/32" x 7/8"
7.	G10023	1	Hex Head Cap Screw, 1/4"-20 x 3/4"
	G10227	1	Lock Washer, 1/4"
	G10103	1	Hex Nut, 1/4"-20
8.	GA8393	1	Solenoid Complete
	GR1306	1	Snap Ring
	GR1303	1	Spring
	GR1304	1	Boot
	GR1305	1	Plunger
9.	G10049	1	Hex Head Cap Screw, 3/8"-16 x 2 1/2"
	G10101	1	Hex Nut, 3/8"-16
	G10203	1	Washer, 3/8" SAE
	G10229	2	Lock Washer, 3/8"
	G10497	1	Hex Jam Nut, 3/8"-16, Grade 2
10.	G10900	1	Hex Socket Head Cap Screw, 1/4"-20 x 1 3/4", Grade 8
	G10227	1	Lock Washer, 1/4"
	G10103	2	Hex Nut, 1/4"-20
11.	GD10123	1	Spring
12.	GD10103	1	Mounting Plate
13.	GD9667	1	Bushing
14.	GD10070	1	Coupler W/R.H. Threads (Shown)
	GD10071	1	Coupler W/L.H. Threads
15.	GD14513	1	Felt Washer
16.	GD9671	-	Spring, L.H. (Shown)
	GD9672	-	Spring, R.H.
17.	GD10102	1	Stop Collar
18.	GD11120	1	Rue Ring Cotter, 5/16"
19.	GD10510	1	Actuator Arm
20.	G10859	1	Spring Pin, 3/16" x 2 1/4"
21.	G10253	3	Hex Socket Head Screw, No. 10-32 x 1/2"
	G10257	3	Lock Washer, No. 10
22.	GD10543	-	Hex Shaft, 7/8" x 13"
23.	GA9490	1	Wiring Harness, 192", R.H. Side, 8 Row 36"/38"
	GA9479	1	Wiring Harness, 228", L.H. Side, 8 Row 36"/38" And R.H. Side, 12 Row 30"
	GA9480	-	Wiring Harness, 264", L.H. Side, 12 Row 30"
	GA9483	-	Wiring Harness, 252", R.H. Side, 16 Row 30"
	GA9482	-	Wiring Harness, 300", L.H. Side, 16 Row 30"
24.	GA10054	-	Ground Cable, Green
25.	G10996	-	Fork Terminal
26.	GD13524-01	1	Lock Wire, 10", Stainless Steel
27.	G10546	1	Spring Pin, 3/16" x 1 1/4"
A.	GA7110	-	Point Row Clutch Assembly, R.H. (R.H. Side Of Machine) (Items 1-21, 24, 26 And 27)
	GA7111	-	Point Row Clutch Assembly, L.H. (L.H. Side Of Machine) (Items 1-21, 24, 26 And 27)

TWO-SPEED POINT ROW CLUTCH

PRC023(FF47b/A7274/TWL71/TWL18/A10054)

L.H. Two-Speed Point Row Clutch Shown (Used On L.H. Side Of Planter)

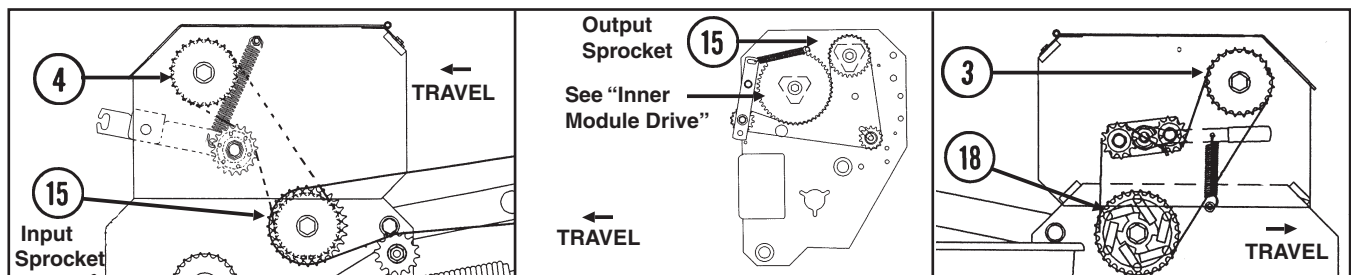
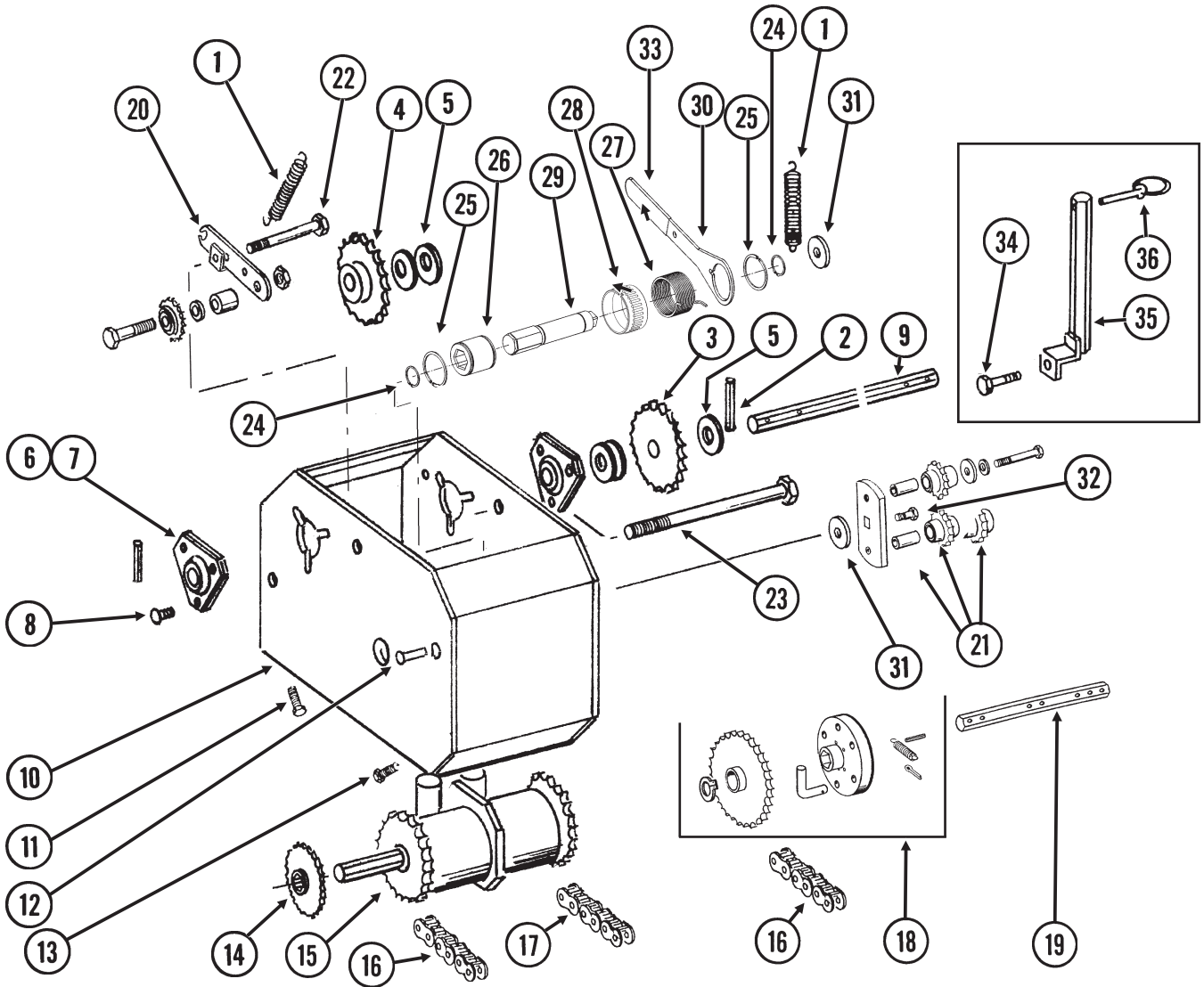


TWO-SPEED POINT ROW CLUTCH

ITEM	PART NO.	QTY. (Per Assy.)	DESCRIPTION
1.	GD10635	1	Threaded Rod, 1/4"-20 x 3 1/2"
	G10103	2	Hex Nut, 1/4"-20
	G10227	2	Lock Washer, 1/4"
	GD10282	2	Allen Nut, 1/4"-20
2.	G10023	4	Hex Head Cap Screw, 1/4"-20 x 3/4"
	G10227	4	Lock Washer, 1/4"
	G10103	1	Hex Nut, 1/4"-20
3.	GD10636	1	Threaded Rod, 3/8"-16 x 4 1/2"
	G10108	2	Lock Nut, 3/8"-16
	G10229	2	Lock Washer, 3/8"
	G10101	2	Hex Nut, 3/8"-16
4.	GD10123	2	Spring
5.	GA7463	1	Hub/Sleeve Assembly W/Seals, Sleeve, Pins And Screws
	GD10120	-	Seal
	GD10584	-	Sleeve
	G10873	-	Hex Socket Set Screw, 5/16"-18 x 3/4"
	G10872	-	Hex Socket Set Screw, 5/16"-18 x 1/4"
	G10804	-	Spring Pin, 5/32" x 7/8"
	G10765	-	Spring Pin, 1/4" x 1"
6.	GD10510	2	Actuator Arm
7.	GD10586	1	Bushing
8.	GA8393	2	Solenoid Complete
	GR1306	-	Snap Ring
	GR1303	-	Spring
	GR1304	-	Boot
	GR1305	-	Plunger
9.	GD10103	1	Mounting Plate
10.	G10859	1	Spring Pin, 3/16" x 2 1/4"
11.	G10876	3	Hex Socket Head Screw, No. 10-32 x 1/4"
12.	GD9671	2	Spring, L.H. (Shown)
13.	GD10585	2	Stop Collar
14.	GD14513	2	Felt Washer
15.	GA9572	1	Hub W/Seal
	GD10120	-	Seal
16.	G10496	2	External Inverted Snap Ring, 1 1/2"
17.	GD10579	1	Output Sprocket, 28 Tooth
18.	GD11120	2	Rue Ring Cotter, 5/16"
19.	G10374	3	Hex Socket Head Cap Screw, 1/4"-20 x 1"
	GD10588	3	Key
20.	GD10068	1	Input Shaft, R.H. Threads (Shown)
	GD10069	-	Input Shaft, L.H. Threads
21.	GD10578	1	Input Sprocket, 28 Tooth
22.	GD10638	1	Coupler W/R.H. Threads (Shown)
	GD10587	-	Coupler W/L.H. Threads
23.	GA9571	1	Hub W/Seal
	GD10120	-	Seal
24.	G10996	-	Fork Terminal
25.	GD9530	-	Contact
26.	GD9529	-	Housing, Black
	GD12726	-	Housing, Red
27.	GA7274	1	Jumper Wire W/Ring Terminals, 2 3/16"
28.	GA9479	1	Wiring Harness, 228", R.H. And L.H. Sides, 8 Row 36"/38" And R.H. Side, 12 Row 30"
	GA9480	-	Wiring Harness, 264", L.H. Side, 12 Row 30"
	GA9483	-	Wiring Harness, 252", R.H. Side, 16 Row 30"
	GA9482	-	Wiring Harness, 300", L.H. Side, 16 Row 30"
29.	GD9672	-	Spring, R.H.

TWO-SPEED POINT ROW CLUTCH WHEEL MODULE EXTENSION

(TWL77h/TWL84b/TWL79a/TWL80)



TWO-SPEED POINT ROW CLUTCH WHEEL MODULE EXTENSION

ITEM	PART NO.	QTY. (Per Assy.)	DESCRIPTION
1.	GD5857	2	Spring
2.	G10602	3	Spring Pin, 1/4" x 1 1/2"
3.	GA5109	1	Sprocket, 24 Tooth
	GA5105	1	Sprocket, 15 Tooth
	GA5106	1	Sprocket, 17 Tooth
	GA5112	1	Sprocket, 27 Tooth
	GA5108	-	Sprocket, 23 Tooth (From Transmission)
	GA5110	-	Sprocket, 25 Tooth (From Transmission)
	GA5111	-	Sprocket, 26 Tooth (From Transmission)
4.	GA5113	1	Sprocket, 28 Tooth
5.	G10233	-	Machine Bushing, 1", 10 Gauge
6.	G3400-01	-	Flangette
7.	G2100-03	-	Bearing, 7/8" Hex Bore, Spherical
8.	G10312	6	Carriage Bolt, 5/16"-18 x 3/4"
	G10232	6	Lock Washer, 5/16"
	G10106	6	Hex Nut, 5/16"-18
9.	GD10355	1	Shaft, 7/8" x 13 3/4"
10.	GA7306	1	Extension Bracket
11.	G10857	2	Hex Head Cap Screw, 1/4"-20 x 1 1/4"
	G10209	2	Washer, 1/4" USS
	G10227	2	Lock Washer, 1/4"
	G10103	2	Hex Nut, 1/4"-20
12.	G10408	1	Clevis Pin, 5/16" x 3/4"
	G10409	1	Retaining Ring, 5/16"
13.	G10064	2	Hex Head Cap Screw, 1/4"-20 x 1"
	G10209	2	Washer, 1/4" USS
	G10227	2	Lock Washer, 1/4"
	G10103	2	Hex Nut, 1/4"-20
14.		-	See "Contact Wheel And Drive Shaft(s)", Pages P76-P78
15.		-	See "Two-Speed Point Row Clutch", Pages P86 And P87
16.	G3310-74	2	Chain, No. 40, 74 Pitch Including Connector Link
	GR0912	-	Connector Link, No. 40
17.	G3310-100	1	Chain, No. 40, 100 Pitch Including Connector Link
	GR0912	-	Connector Link, No. 40
18.	GA7320	1	Overrunning Sprocket Assembly, R.H.
	GA7321	-	Overrunning Sprocket Assembly, L.H.
	G10430	1	External Retaining Ring, 1 1/4"
	GD1255	6	L-Pin
	G10546	6	Spring Pin, 3/16" x 1 1/4"
	G10470	6	Cotter Pin, 5/32" x 1"
	GD10366	6	Spring
	GA7317	1	Block
	GA7319	1	Sprocket W/Bushing, 30 Tooth
19.	GD10543	1	Hex Shaft, 7/8" x 13"
20.	GA9918	1	Idler W/Sprocket And Hardware
	GD10356	-	Bushing, 3/4" Long
	G10128	-	Machine Bushing, 1/2", 14 Gauge
	G10501	-	Hex Jam Nut, 1/2"-13, Grade 2
	G10053	-	Hex Head Cap Screw, 1/2"-13 x 2 1/2"
	GA7154	-	Sprocket W/Bearing, 18 Tooth

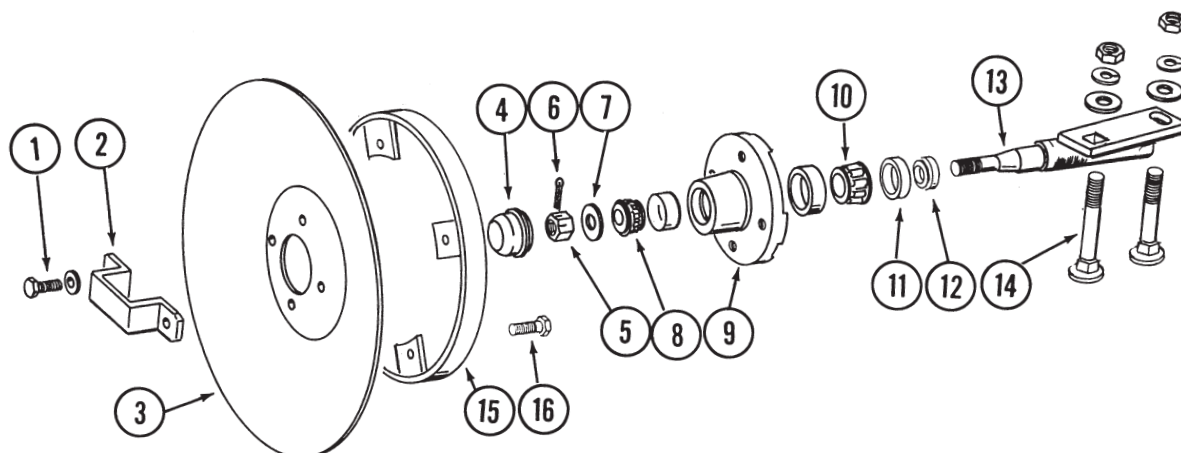
(Continued On Following Page)

TWO-SPEED POINT ROW CLUTCH WHEEL MODULE EXTENSION

ITEM	PART NO.	QTY. (Per Assy.)	DESCRIPTION
(Continued)			
21.	GA7336	1	Idler W/Bolt-On Sprockets
	GD7426	-	Sprocket, 12 Tooth
	GD1026	-	Sleeve, 1 3/16" Long
	G10210	-	Washer, 3/8" USS
	G10229	-	Lock Washer, 3/8"
	G10047	-	Hex Head Cap Screw, 3/8"-16 x 1 3/4"
22.	G10036	1	Hex Head Cap Screw, 5/8"-11 x 4"
	G10107	1	Lock Nut, 5/8"-11
	G10104	1	Hex Nut, 5/8"-11
23.	G10595	1	Hex Head Cap Screw, 3/8"-16 x 10"
	G10108	1	Lock Nut, 3/8"-16
24.	G10496	2	External Inverted Snap Ring, 1 1/2"
25.	G11075	2	External Inverted Snap Ring, 7/8"
26.	GD14432	1	Sleeve, 1 1/4"
27.	GD14414	1	Torsion Spring, R.H. (Used In L.H. Wrap Spring Wrench) (Shown)
	GD14413	-	Torsion Spring, L.H. (Used In R.H. Wrap Spring Wrench)
28.	GD19344	-	Release Collar, Gray, L.H. (Shown)
	GD19343	1	Release Collar, Blue, R.H.
29.	GD14426	1	Tightener Shaft, 3 3/8"
30.	GD14431	1	Handle
31.	G10235	2	Machine Bushing, 7/8", 14 Gauge
32.	G11100	1	Hex Socket Button Head Cap Screw, 1/4"-20 x 1/2", Grade 8
	G10227	1	Lock Washer, 1/4"
	G10209	1	Washer, 1/4" USS
33.	G11078	1	Vinyl Cap
34.	G10037	1	Hex Head Cap Screw, 1/2"-13 x 1 1/4"
	G10216	1	Washer, 1/2" USS
	G10228	1	Lock Washer, 1/2"
	G10102	1	Hex Nut, 1/2"-13
35.	GA7313	1	Sprocket Storage Rod
36.	GD2558	2	Lynch Pin, 1/4"
A.	G1K381	-	Wrap Spring Wrench Replacement Kit, Silver Collar, L.H. (Items 24-33) (Shown)
	G1K380	1	Wrap Spring Wrench Replacement Kit, Gold Collar, R.H. (Items 24-33)

ROW MARKER SPINDLE/HUB/BLADE

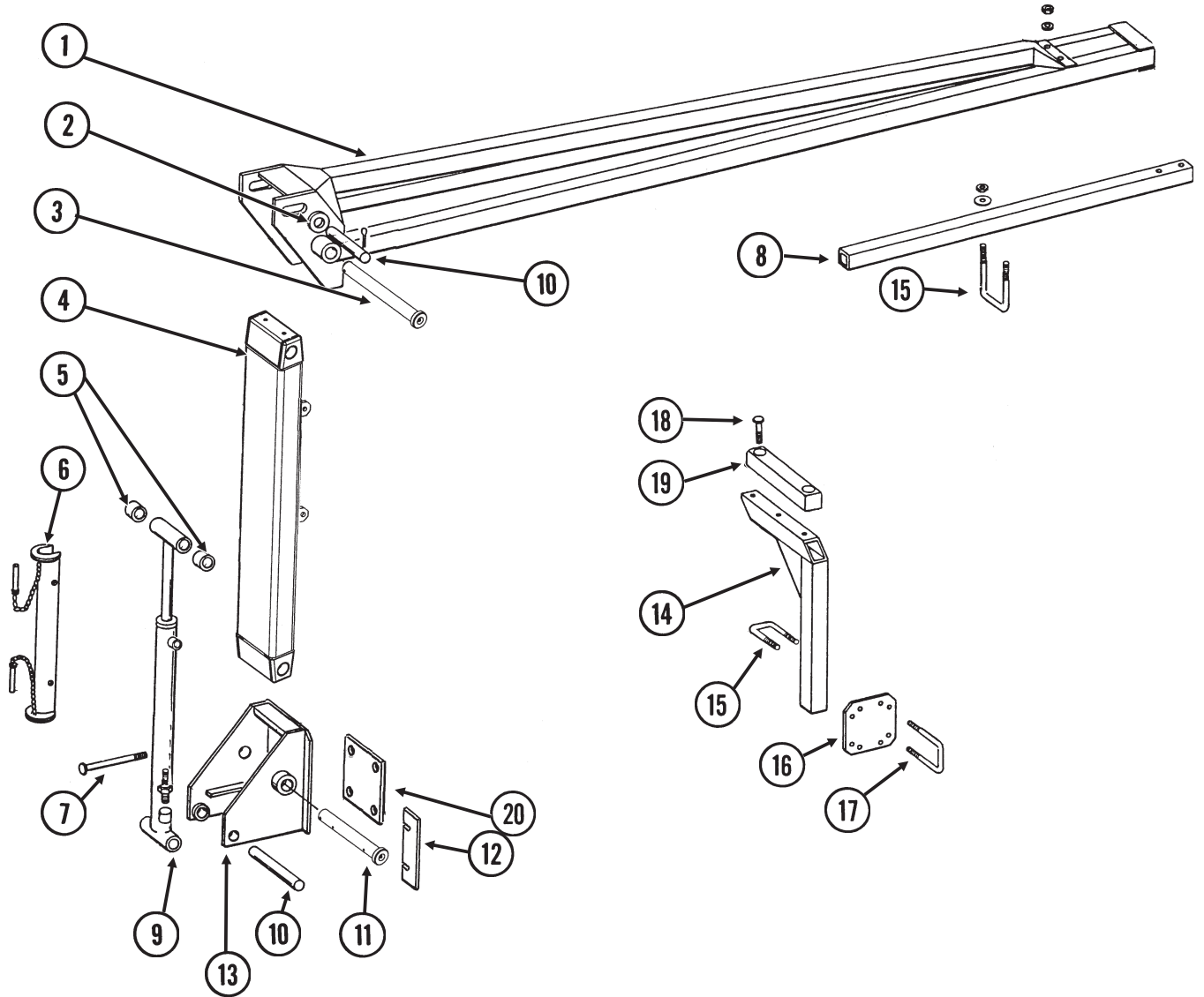
MKR020(MKR4)



ITEM	PART NO.	QTY.	DESCRIPTION
		(Per Assy.)	
1.	G10722	4	Hex Head Cap Screw, 1/2"-20 x 1"
	G10228	4	Lock Washer, 1/2"
2.	GD2597	1	Retainer
3.	GD0746	1	Disc Blade, Solid, 16" (Shown)
	GD10283	-	Disc Blade, Notched, 16" (Optional)
4.	GD0840	1	Dust Cap
5.	G10725	1	Slotted Hex Nut, 5/8"-18
6.	G10544	1	Cotter Pin, 5/32" x 1"
7.	G10724	1	Washer, 5/8" SAE
8.	GA0257	1	Bearing
9.	GA0167	1	Hub W/Cups, 4 Bolt
	GR0151	-	Outer Cup
	GR0150	-	Inner Cup
10.	GA0245	1	Bearing
11.	GA0243	1	Grease Seal
12.	GA0899	1	Rubber Seal
13.	GA1676	1	Spindle, R.H.
	GA1677	-	Spindle, L.H. (Shown)
14.	G10844	2	Carriage Bolt, 1/2"-13 x 3 1/2"
	G10168	2	Machine Bushing, 1/2", 7 Gauge
	G10228	2	Lock Washer, 1/2"
	G10102	2	Hex Nut, 1/2"-13
15.	GA5853	1	Depth Band
16.	G10019	4	Hex Head Cap Screw, 5/16"-18 x 1"
	G10109	4	Lock Nut, 5/16"-18, Grade 8
A.	GA1679	-	Hub And Spindle Assembly, L.H. (Items 1, 2 And 4-13)
	GA1678	-	Hub And Spindle Assembly, R.H. (Items 1, 2 And 4-13)

ROW MARKER ASSEMBLY, 8 ROW 36"/38" AND 12 ROW 30"

MKR019/MKR027(MKR14i/A11590)

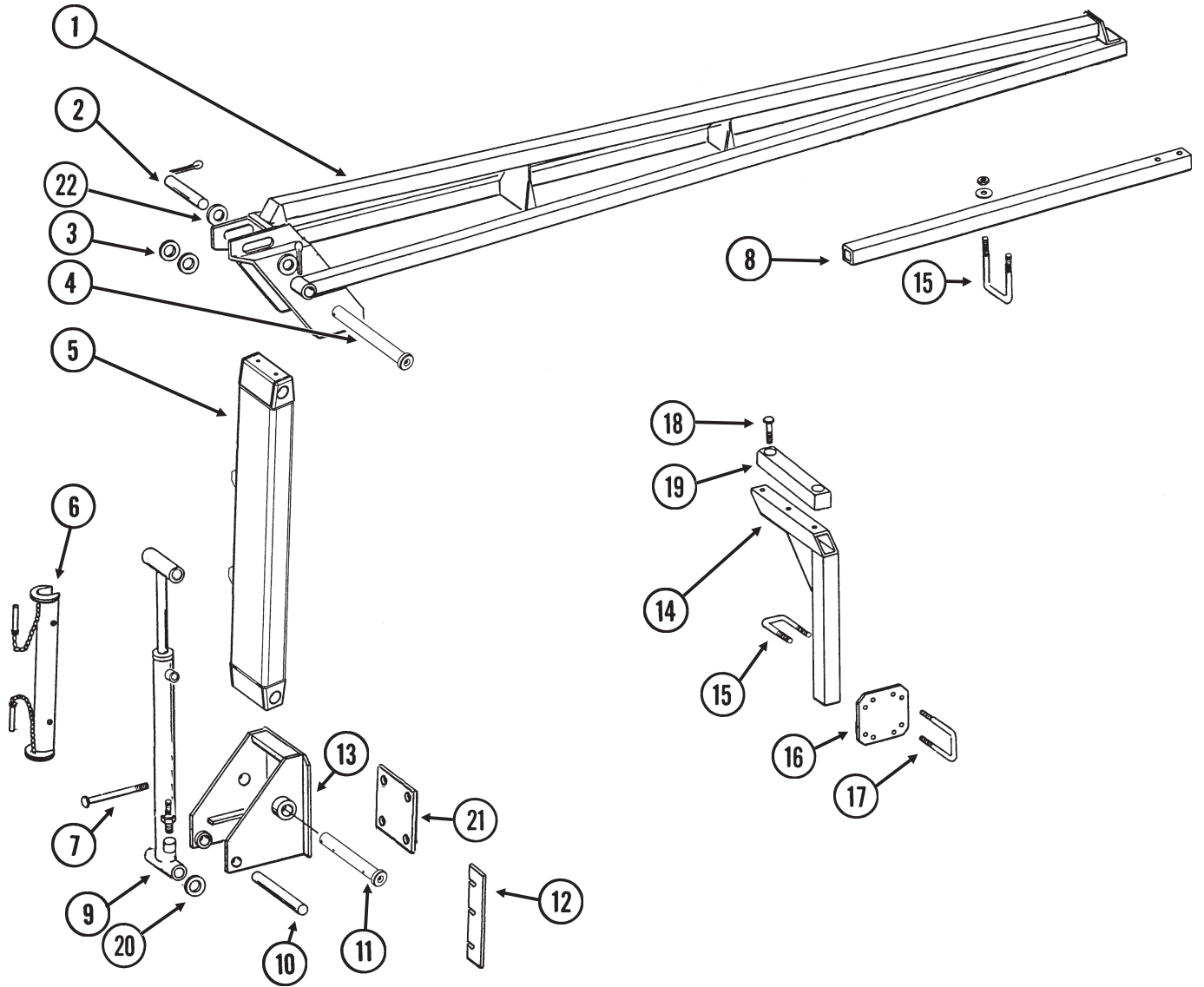


ROW MARKER ASSEMBLY, 8 ROW 36"/38" AND 12 ROW 30"

ITEM	PART NO.	QTY.	DESCRIPTION
		(Per Assy.)	
1.	GA4353	1	Arm W/Grease Fittings, Second Stage, 110", 12 Row 30"
	G10641	-	Grease Fitting, 1/8" NPT
	GA5192	-	Arm, Second Stage, 67", 8 Row 36"/38"
2.	G10226	-	Washer, 1 1/4" SAE (As Required)
	G10159	-	Machine Bushing, 1 1/4", 10 Gauge (As Required)
	G10322	-	Machine Bushing, 1 1/4", 18 Gauge (As Required)
3.	GA11766	-	Pin W/Grease Fitting, 1 1/4" x 11 13/16"
	G10640	-	Grease Fitting, 1/4"-28
	G10463	-	Cotter Pin, 1/4" x 1 1/2"
4.	GA11590	-	Arm, First Stage
5.	GD0752-41	4	Sleeve, 1"
6.	GA8170	1	Safety Lockup W/Detent Pins, 19 3/8"
	G10536	-	Detent Pin, 1/2" x 2 1/2" Grip
7.	G10011	4	Hex Head Cap Screw, 5/8"-11 x 5 1/2" (If Applicable)
	G10046	-	Hex Head Cap Screw, 5/8"-11 x 5" (If Applicable)
	G10008	-	Hex Head Cap Screw, 5/8"-11 x 2" (If Applicable)
	GD7805	8	Special Washer, 5/8", Hardened
	G10205	-	Washer, 5/8" SAE
	G10230	4	Lock Washer, 5/8"
	G10104	4	Hex Nut, 5/8"-11
8.	GD0453-07	1	Extension Tube, 45", 12 Row 30"
	GD0453-04	-	Extension Tube, 60", 12 Row 30" (L.H. Even-Row Marker) (If Applicable)
	GD0453-08	-	Extension Tube, 65", 8 Row 36"/38"
9.		-	See "Row Marker (Cushion) Cylinder", Page P103
10.	GD2161	2	Pin, 1 1/4" x 8 1/4"
	G10460	4	Cotter Pin, 1/4" x 2"
11.	GA11767	-	Pin W/Grease Fitting, 1 1/4" x 9 1/2"
	G10640	-	Grease Fitting, 1/4"-28
	G10463	-	Cotter Pin, 1/4" x 1 1/2"
12.	GD10792	-	Shim, 2 1/2" x 7 1/4", 16 Gauge (As Required)
13.	GA5130	1	Mount
14.	GA7042	1	Stand, 20" (12 Row 30" Only)
15.	GD2721	3	U-Bolt, 2" x 2" x 1/2"-13
	G10228	6	Lock Washer, 1/2"
	G10102	6	Hex Nut, 1/2"-13
16.	GD9981	1	Bar
17.	GD4743	2	U-Bolt, 3" x 3" x 1/2"-13
	G10216	4	Washer, 1/2" USS
	G10228	4	Lock Washer, 1/2"
	G10102	4	Hex Nut, 1/2"-13
18.	G10017	2	Hex Head Cap Screw, 1/2"-13 x 1 1/2"
	G10206	2	Washer, 1/2" SAE
	G10111	2	Lock Nut, 1/2"-13
19.	GA9088	-	Molded Stop, 12 1/4" Long
20.	GD13360	2	Plate, 6" x 6"

ROW MARKER ASSEMBLY, 16 ROW 30"

MKR019/MKR023MKR027(MKR15jj/A11569)

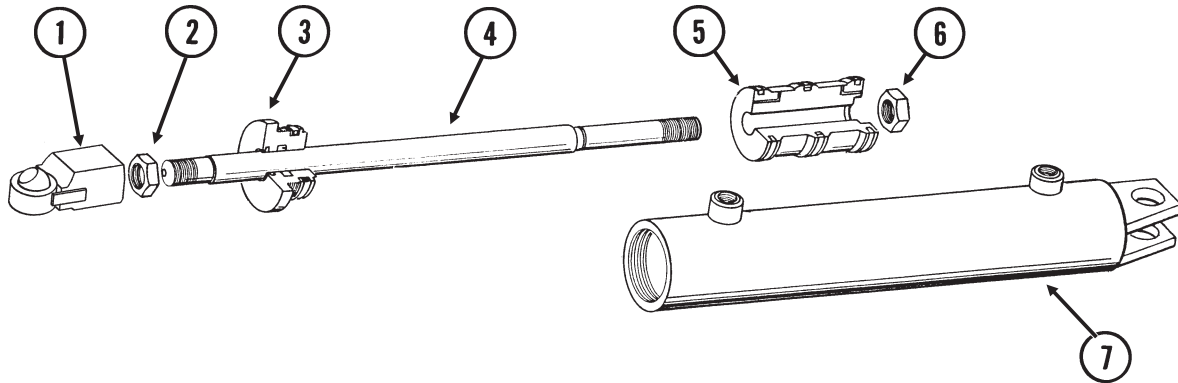


ROW MARKER ASSEMBLY, 16 ROW 30"

ITEM	PART NO.	QTY.	DESCRIPTION
		(Per Assy.)	
1.	GA7118	-	Arm, Second Stage, 172 1/4", 16 Row 30"
2.	GD1701	1	Pin, 1 1/4" x 6 1/2"
	G10460	2	Cotter Pin, 1/4" x 2"
3.	G10979	4	Special Washer, 1 1/4" (As Required)
	G10159	-	Machine Bushing, 1 1/4", 10 Gauge (As Required)
	G10322	-	Machine Bushing, 1 1/4", 18 Gauge (As Required)
4.	GA11768	-	Pin W/Grease Fitting, 1 1/4" x 13"
	G10640	-	Grease Fitting, 1/4"-28
	G10463	-	Cotter Pin, 1/4" x 1 1/2"
5.	GA11569	-	Arm, First Stage, L.H. (Shown)
	GA11568	-	Arm, First Stage, R.H.
6.	GA8170	1	Safety Lockup W/Detent Pins, 19 3/8"
	G10536	-	Detent Pin, 1/2" x 2 1/2" Grip
7.	G10012	-	Hex Head Cap Screw, 5/8"-11 x 6 1/2" (If Applicable)
	G10068	-	Hex Head Cap Screw, 5/8"-11 x 6" (If Applicable)
	G10009	-	Hex Head Cap Screw, 5/8"-11 x 2 1/2" (If Applicable)
	GD7805	8	Special Washer, 5/8", Hardened
	G10205	-	Washer, 5/8" SAE
	G10230	6	Lock Washer, 5/8"
	G10104	6	Hex Nut, 5/8"-11
8.	GD0453-09	1	Extension Tube, 75", 16 Row 30" (L.H. Even-Row Marker) (If Applicable)
	GD0453-03	-	Extension Tube, 50", 16 Row 30"
9.		-	See "Row Marker (Cushion) Cylinder", Page P103
10.	GD0652	1	Pin, 1 1/4" x 9 1/2"
	G10460	2	Cotter Pin, 1/4" x 2"
11.	GA11769	-	Pin W/Grease Fitting, 1 1/4" x 11 1/2"
	G10640	-	Grease Fitting, 1/4"-28
	G10463	-	Cotter Pin, 1/4" x 1 1/2"
12.	GD10793	-	Shim, 2 1/2" x 12 1/2", 16 Gauge (As Required) (Shown)
	GD11791	-	Shim, 2 1/2" x 8 1/4", 16 Gauge (As Required)
13.	GA4877	1	Mount
14.	GA7043	1	Stand, 30"
15.	GD2721	3	U-Bolt, 2" x 2" x 1/2"-13
	G10228	6	Lock Washer, 1/2"
	G10102	6	Hex Nut, 1/2"-13
16.	GD9981	1	Bar
17.	GD4743	2	U-Bolt, 3" x 3" x 1/2"-13
	G10216	4	Washer, 1/2" USS
	G10228	4	Lock Washer, 1/2"
	G10102	4	Hex Nut, 1/2"-13
18.	G10017	2	Hex Head Cap Screw, 1/2"-13 x 1 1/2"
	G10206	2	Washer, 1/2" SAE
	G10111	2	Lock Nut, 1/2"-13
19.	GA9088	-	Molded Stop, 12 1/4" Long
20.	G10979	4	Special Washer, 1 1/4" (As Required)
21.	GD13359	2	Plate, 7" x 7"
22.	G10226	2	Washer, 1 1/4" SAE
	G10322	2	Machine Bushing, 1 1/4", 18 Gauge

ROTATION CYLINDER, ALL SIZES

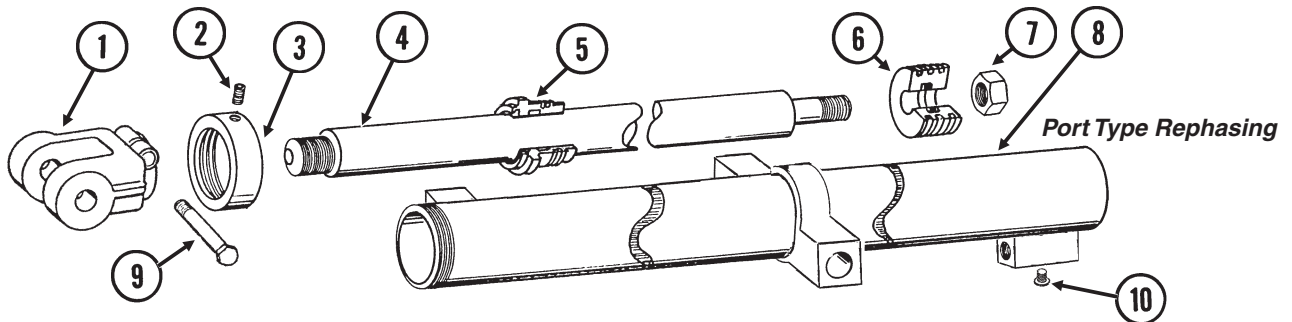
(CYL11i)



ITEM	PART NO.	QTY.	DESCRIPTION
1.	GA7221	1	Threaded Ball Joint End
2.	G10509	1	Hex Jam Nut, 1 1/4"-12, Grade 2
3.	GD11988	1	Gland
4.	GD11991	1	Rod
5.	GD11992	1	Piston
6.	G10972	1	Lock Nut, 1 1/4"-12
7.	A7220	1	Barrel (Non-Stock Item)
A.	GA8904	-	Cylinder Complete, 4" x 16" <i>(Part Number Stamped On Barrel)</i>
B.	GR1524	-	Seal Kit, Includes: (2) O-Rings, (1) U-Cup, (1) Wiper, (1) Seal, (2) Cast Iron Rings, (1) BU Ring, (1) Expander

CENTER LIFT CYLINDER, ALL SIZES

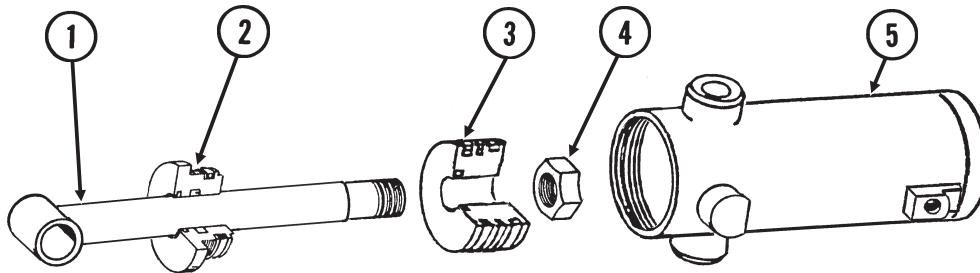
(CYL39c)



ITEM	PART NO.	QTY.	DESCRIPTION
1.	GD11951	1	Clevis
2.	G10907	1	Set Screw, 1/4"-20 x 1/4"
3.	GD11193	1	Cap
4.	GD10936	1	Rod
5.	GD10211	1	Gland
6.	GD11253	1	Piston
7.	G10958	1	Lock Nut, 1"-14
8.	GA8149	1	Barrel
9.	G10939	1	Hex Head Cap Screw, 3/8"-16 x 2 1/4"
	G10108	1	Lock Nut, 3/8"-16
10.	G6408-H04-O	1	Hex Socket Head Plug W/O-Ring, 7/16"-20 O-Ring
	GR1465	1	O-Ring
A.	GA8908	-	Cylinder Complete, 3" x 48" <i>(Part Number Stamped On Barrel)</i>
B.	GR1428	-	Seal Kit, Includes: (2) O-Rings, (2) BU Rings, (1) Wiper, (1) U-Cup, (1) Piston Seal, (2) Cast Iron Rings, (1) Expander

WING LIFT CYLINDER, 8 AND 12 ROW

CYL031/CYL011(CYL45d)

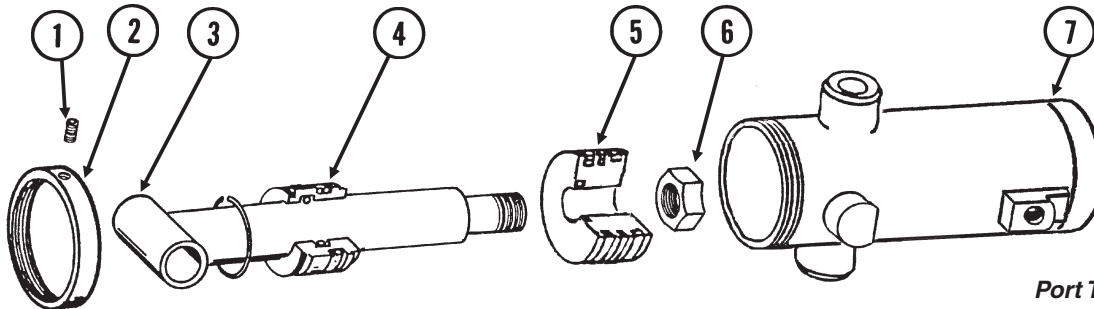


*Port Type
Rephasing*

ITEM	PART NO.	QTY	DESCRIPTION
1.	GA8320	1	Rod Assembly W/Grease Fitting
	G10640	-	Grease Fitting, 1/4"-28
2.	GD11995	1	Gland
3.	GD11994	1	Piston
4.	G10958	1	Lock Nut, 1"-14
5.	A8797	1	Barrel (Non-Stock Item)
A.	GA8909	-	Cylinder Complete, 4 1/4" x 6" (Part Number Stamped On Barrel)
B.	GR1523	-	Seal Kit, Includes: (1) Wiper, (2) O-Rings, (1) BU Ring, (1) U-Cup, (1) Seal, (2) Cast Iron Rings, (1) Expander

WING LIFT CYLINDER, 16 ROW

CYL031/CYL011(CYL41c)

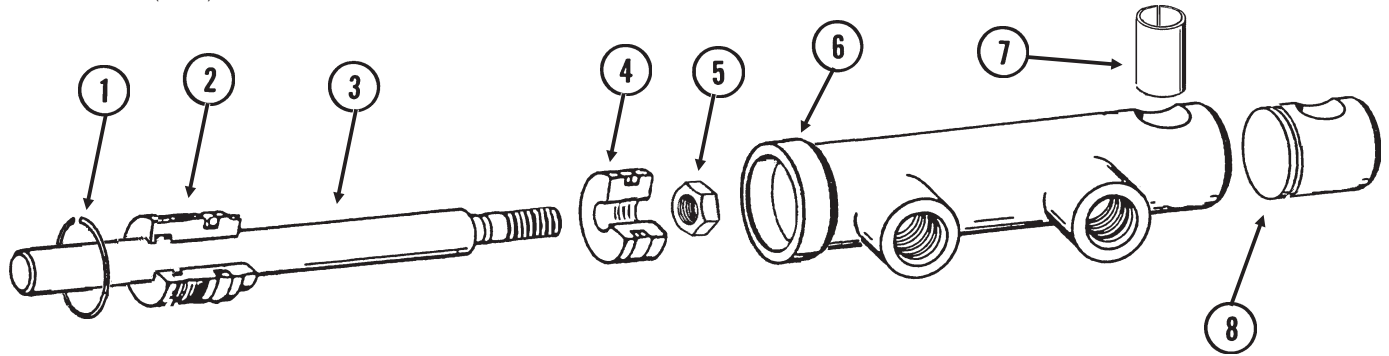


*Port Type
Rephasing*

ITEM	PART NO.	QTY.	DESCRIPTION
1.	G10907	1	Set Screw, 1/4"-20 x 1/4"
2.	GD11193	1	Cap
3.	GA8157	1	Rod Assembly W/Grease Fitting
	G10449	-	Grease Fitting, 3/16", Drive-In
4.	GD11194	1	Gland
5.	GD11253	1	Piston
6.	G10958	1	Lock Nut, 1"-14
7.	A8873	1	Barrel (Non-Stock Item)
A.	GA8874	-	Cylinder Complete, 3" x 6" (Part Number Stamped On Barrel)
B.	GR1417	-	Seal Kit, Includes: (2) O-Rings, (2) BU Rings, (1) Expander, (1) Wiper, (1) U-Cup, (1) Piston Seal, (2) Cast Iron Rings

TRANSPORT LATCH CYLINDER, ALL SIZES

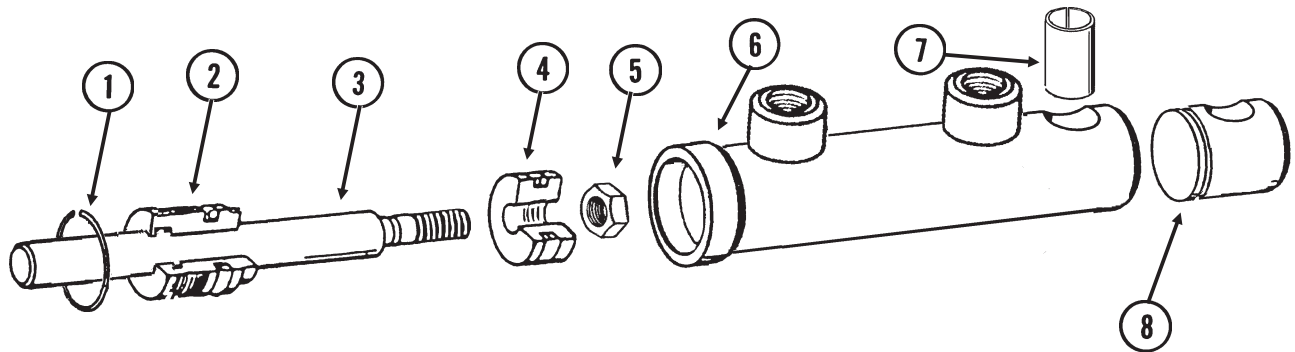
CYL035/CYL050(CYL9c)



ITEM	PART NO.	QTY.	DESCRIPTION
1.	G10770	1	Internal Retaining Ring, 1 11/16"
2.	GD13170	1	Gland
3.	GD13425	1	Rod
4.	GD13172	1	Piston
5.	G11016	1	Lock Nut, 1/2"-20
6.	D13426	1	Barrel (Non-Stock Item)
7.	GD13400	1	Tension Bushing, 1" x 2" Long
8.	GD13173	1	End Cap
A.	GA9559	-	Cylinder Complete, 1 1/2" x 2 1/2" <i>(Part Number Stamped On Barrel)</i>
B.	GR1598	-	Seal Kit, Includes: (3) O-Rings, (2) BU Rings, (1) Wiper, (1) T-Seal, (1) Bronze Bushing, (1) Seal, (1) U-Cup

TONGUE LOCK CYLINDER, ALL SIZES

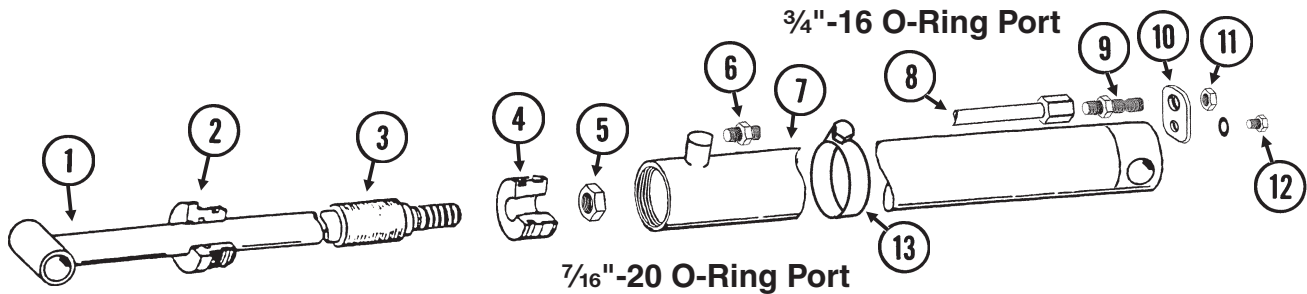
CYL035(CYL9d)



ITEM	PART NO.	QTY.	DESCRIPTION
1.	G10770	1	Internal Retaining Ring, 1 11/16"
2.	GD13170	1	Gland
3.	GD13171	1	Rod
4.	GD13172	1	Piston
5.	G11016	1	Lock Nut, 1/2"-20
6.	D13169	1	Barrel (Non-Stock Item)
7.	GD13400	1	Tension Bushing, 1" x 2" Long
8.	GD13173	1	End Cap
A.	GA9205	-	Cylinder Complete, 1 1/2" x 2 1/2" <i>(Part Number Stamped On Barrel)</i>
B.	GR1598	-	Seal Kit, Includes: (3) O-Rings, (2) BU Rings, (1) Wiper, (1) T-Seal, (1) Bronze Bushing, (1) Seal, (1) U-Cup

TONGUE CYLINDER, 8 ROW 36"/38" WITH "Y" HITCH

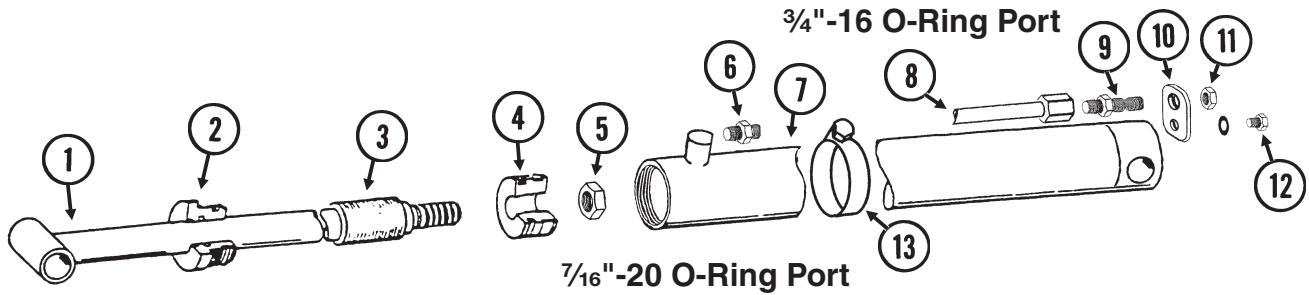
(CYL12f)



ITEM	PART NO.	QTY.	DESCRIPTION
1.	GA8867	1	Rod Assembly
2.	GD11984	1	Gland
3.	GD7147	1	Spacer
4.	GD11970	1	Piston
5.	G10972	1	Lock Nut, 1 1/4"-12
6.	G6400-08-04	1	Connector W/O-Ring, 3/4"-16 Male JIC To 7/16"-20 O-Ring
	GR1465	-	O-Ring
7.	A8869	1	Barrel (Non-Stock Item)
8.	GA8981	1	Steel Hydraulic Line, 44 11/16"
9.	G2700-08	1	Bulkhead Tube Union, 3/4"-16 Male JIC
10.	GD12597	1	Bracket
11.	G306-08	1	Lock Nut, 3/4"-16
12.	G10328	1	Hex Head Cap Screw, 3/8"-16 x 5/8"
	G10229	1	Lock Washer, 3/8"
13.	G10990	1	Hose Clamp, No. 52
A.	GA8870	-	Cylinder Complete, 3" x 36" <i>(Part Number Stamped On Barrel)</i>
B.	GR1519	-	Seal Kit, Includes: (2) O-Rings, (1) BU Ring, (1) Wear Ring, (1) Wiper, (1) U-Cup, (1) T-Seal

TONGUE CYLINDER, 12 ROW 30" WITH "Y" HITCH

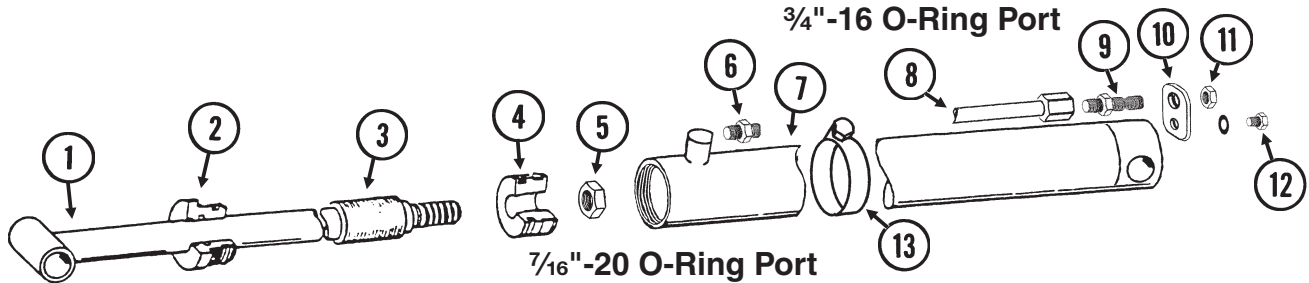
(CYL12f)



ITEM	PART NO.	QTY.	DESCRIPTION
1.	GA8893	1	Rod Assembly
2.	GD11984	1	Gland
3.	GD7147	1	Spacer
4.	GD11970	1	Piston
5.	G10972	1	Lock Nut, 1 1/4"-12
6.	G6400-08-04	1	Connector W/O-Ring, 3/4"-16 Male JIC To 7/16"-20 O-Ring
	GR1465	-	O-Ring
7.	GA8858	1	Barrel
8.	GA8978	1	Steel Hydraulic Line, 68 11/16"
9.	G2700-08	1	Bulkhead Tube Union, 3/4"-16 Male JIC
10.	GD12597	1	Bracket
11.	G306-08	1	Lock Nut, 3/4"-16
12.	G10328	1	Hex Head Cap Screw, 3/8"-16 x 5/8"
	G10229	1	Lock Washer, 3/8"
13.	G10990	1	Hose Clamp, No. 52
A.	GA8857	-	Cylinder Complete, 3" x 60" (<i>Part Number Stamped On Barrel</i>)
B.	GR1519	-	Seal Kit, Includes: (2) O-Rings, (1) BU Ring, (1) Wear Ring, (1) Wiper, (1) U-Cup, (1) T-Seal

TONGUE CYLINDER, 12 ROW 30" WITH "T" HITCH, AND 16 ROW 30" WITH "Y" HITCH

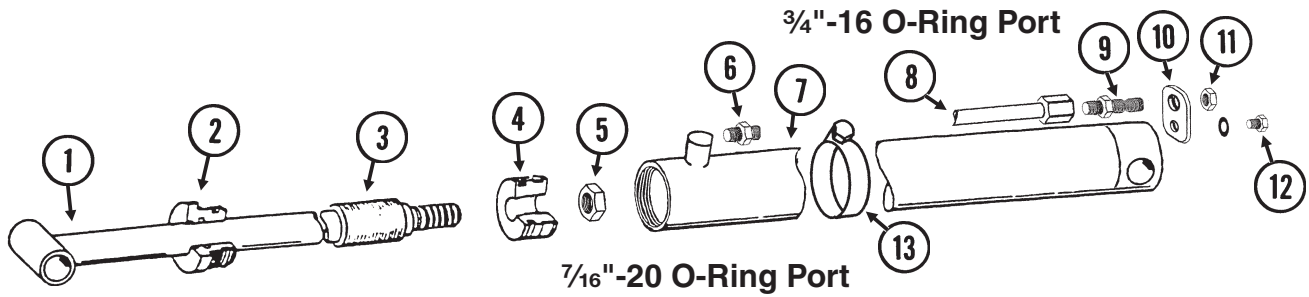
CYL036(CYL12f)



ITEM	PART NO.	QTY.	DESCRIPTION
1.	GA8859	1	Rod Assembly
2.	GD11984	1	Gland
3.	GD7147	1	Spacer
4.	GD11970	1	Piston
5.	G10972	1	Lock Nut, 1 1/4"-12
6.	G6400-08-04	1	Connector W/O-Ring, 3/4"-16 Male JIC To 7/16"-20 O-Ring
	GR1465	-	O-Ring
7.	GA8861	1	Barrel
8.	GA8979	1	Steel Hydraulic Line, 92 11/16"
9.	G2700-08	1	Bulkhead Tube Union, 3/4"-16 Male JIC
10.	GD12597	1	Bracket
11.	G306-08	1	Lock Nut, 3/4"-16
12.	G10328	1	Hex Head Cap Screw, 3/8"-16 x 5/8"
	G10229	1	Lock Washer, 3/8"
13.	G10990	1	Hose Clamp, No. 52
A.	GA8862	-	Cylinder Complete, 3" x 84" (<i>Part Number Stamped On Barrel</i>)
B.	GR1519	-	Seal Kit, Includes: (2) O-Rings, (1) BU Ring, (1) Wear Ring, (1) Wiper, (1) U-Cup, (1) T-Seal

TONGUE CYLINDER, 16 ROW 30" WITH "T" HITCH

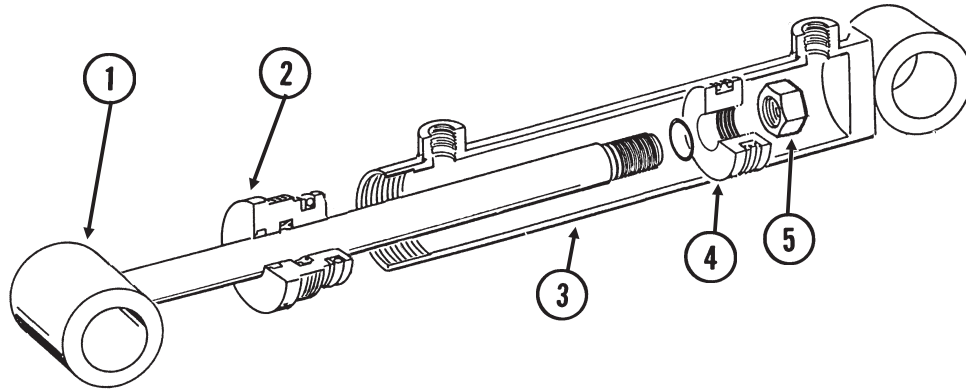
CYL036(CYL12f)



ITEM	PART NO.	QTY.	DESCRIPTION
1.	GA8863	1	Rod Assembly
2.	GD11984	1	Gland
3.	GD7147	1	Spacer
4.	GD11970	1	Piston
5.	G10972	1	Lock Nut, 1 1/4"-12
6.	G6400-08-04	1	Connector W/O-Ring, 3/4"-16 Male JIC To 7/16"-20 O-Ring
	GR1465	-	O-Ring
7.	GA8865	1	Barrel
8.	GA8980	1	Steel Hydraulic Line, 116 11/16"
9.	G2700-08	1	Bulkhead Tube Union, 3/4"-16 Male JIC
10.	GD12597	1	Bracket
11.	G306-08	1	Lock Nut, 3/4"-16
12.	G10328	1	Hex Head Cap Screw, 3/8"-16 x 5/8"
	G10229	1	Lock Washer, 3/8"
13.	G10990	1	Hose Clamp, No. 52
A.	GA8866	-	Cylinder Complete, 3" x 108" (<i>Part Number Stamped On Barrel</i>)
B.	GR1519	-	Seal Kit, Includes: (2) O-Rings, (1) BU Ring, (1) Wear Ring, (1) Wiper, (1) U-Cup, (1) T-Seal

WING LOCK CYLINDER, ALL SIZES

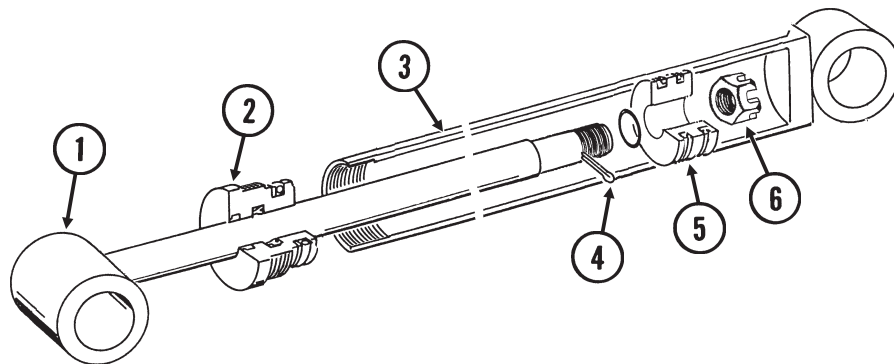
CYL032(CYL3f)



ITEM	PART NO.	QTY.	DESCRIPTION
1.	GA8898	1	Rod Assembly
2.	GD11985	1	Gland
3.	A8822	1	Barrel (Non-Stock Item)
4.	GD11986	1	Piston
5.	G10969	1	Lock Nut, 7/8"-14
A.	GA8899	-	Cylinder Complete, 2 1/2" x 20 1/16" <i>(Part Number Stamped On Barrel)</i>
B.	GR1522	-	Seal Kit, Includes: (1) T-Seal, (2) O-Rings, (1) BU Ring, (1) U-Cup, (1) Wiper

ROW MARKER (Cushion) CYLINDER, ALL SIZES

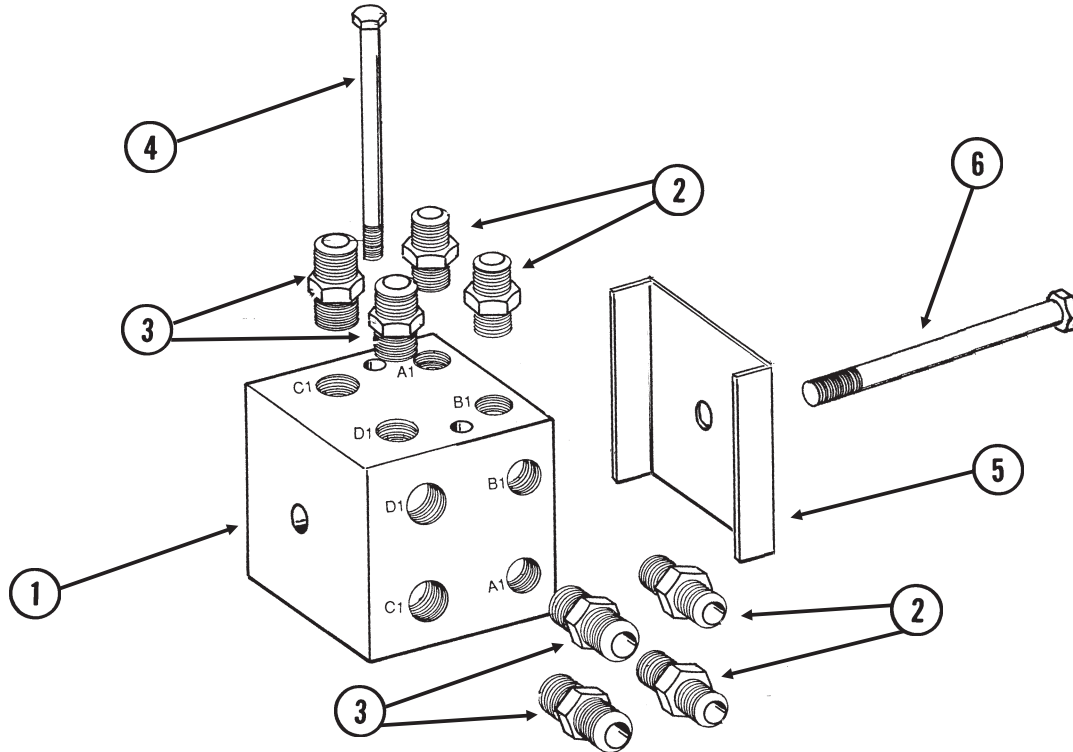
(CYL3d)



ITEM	PART NO.	QTY.	DESCRIPTION
1.	GA8871	1	Rod Assembly
2.	GD10207	1	Gland
3.	A7524	1	Barrel (Non-Stock Item)
4.	G10827	1	Cotter Pin, 1/8" x 1 3/4"
5.	GD11983	1	Piston
6.	G10962	1	Slotted Hex Nut, 7/8"-14
A.	GA8895	-	Cylinder Complete, 2 1/2" x 20 1/16" <i>(Part Number Stamped On Barrel)</i>
B.	GR1521	-	Seal Kit, Includes: (1) T-Seal, (2) O-Rings, (1) BU Ring, (1) Cast Iron Ring, (1) Wiper, (1) U-Cup

JUNCTION BLOCK - LOCATED ON R.H. SIDE OF CENTER PIVOT

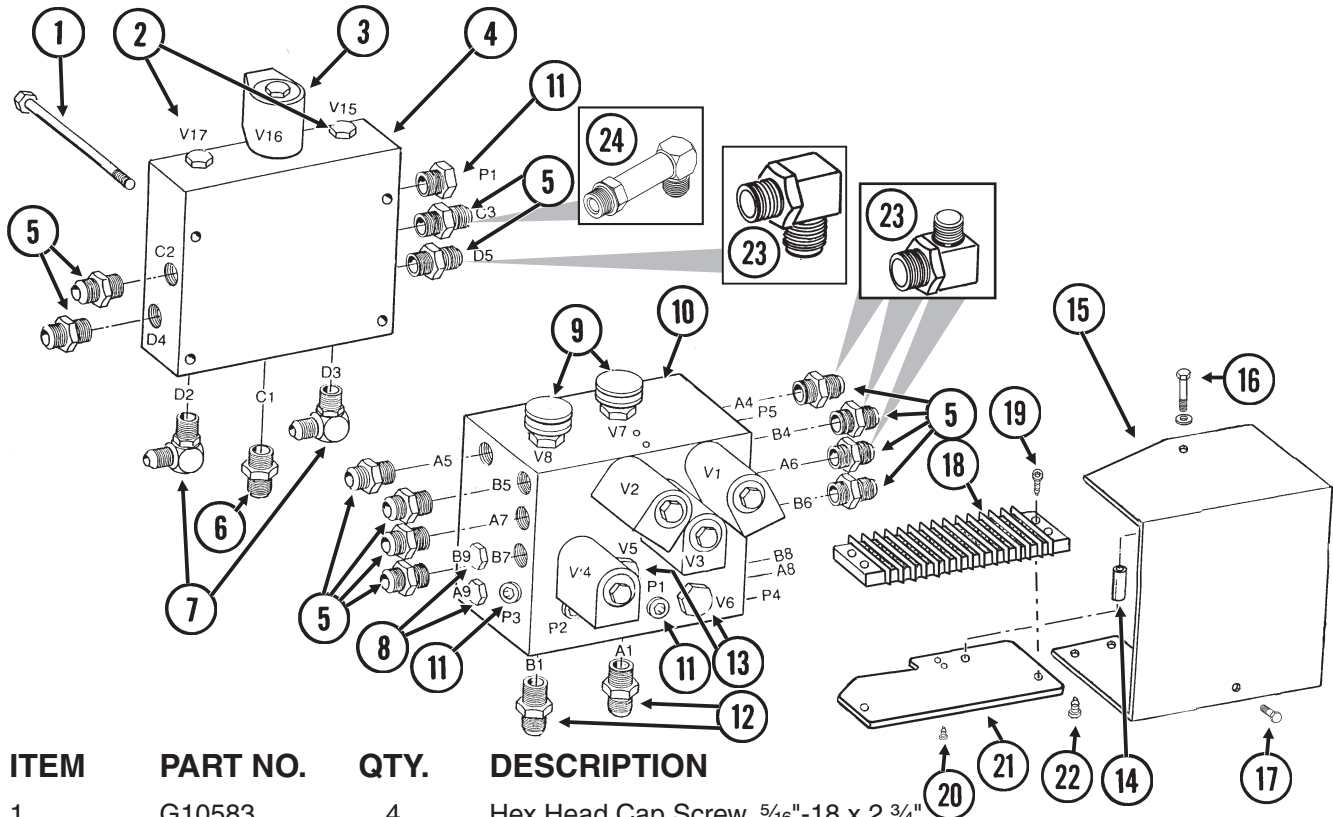
VVB036(TWL24k)



ITEM	PART NO.	QTY.	DESCRIPTION
1.	GD9971	1	Manifold Block
2.	G6400-08	4	Connector W/O-Ring, 3/4"-16 Male JIC To O-Ring
	GR1037	-	O-Ring
3.	G6400-10-08	4	Connector W/O-Ring, 7/8"-14 Male JIC To 3/4"-16 O-Ring
	GR1037	-	O-Ring
4.	G10172	2	Hex Head Cap Screw, 3/8"-16 x 5"
	G10229	2	Lock Washer, 3/8"
	G10101	2	Hex Nut, 3/8"-16
5.	GD0740	1	Hose Clamp, 3/4" x 4" x 3 1/2"
6.	G10871	1	Hex Head Cap Screw, 1/2"-13 x 6"
	G10228	1	Lock Washer, 1/2"
	G10102	1	Hex Nut, 1/2"-13

VALVE BLOCKS - LOCATED ON R.H. REAR CENTER FRAME

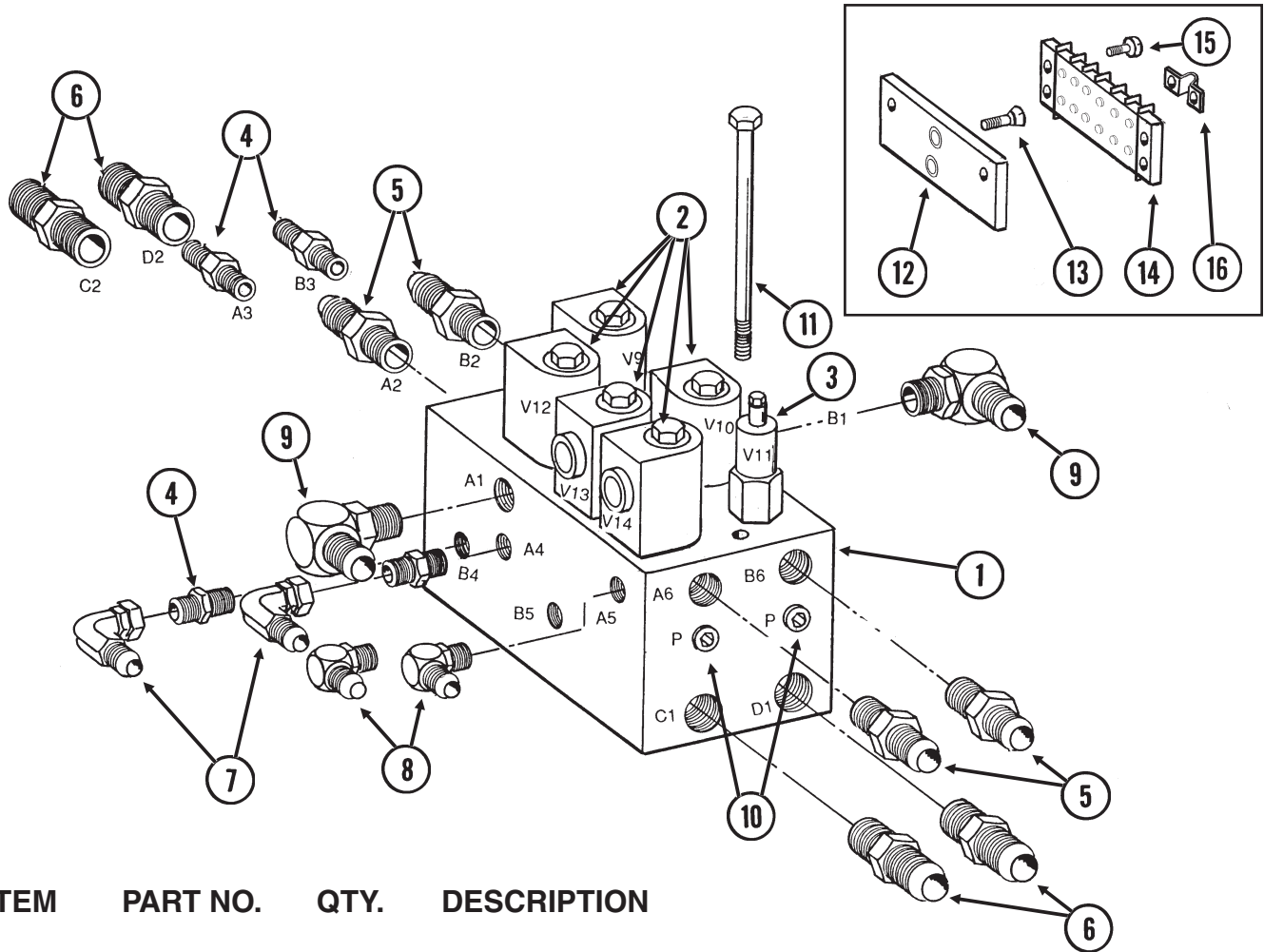
VVB034(TWL25e)



ITEM	PART NO.	QTY.	DESCRIPTION
1.	G10583	4	Hex Head Cap Screw, 5/16"-18 x 2 3/4"
	G10232	4	Lock Washer, 5/16"
2.		2	See "Check Valve", Page P109
3.		5	See "Solenoid Valve", Page P108
4.	GD9977	1	Block
5.	G6400-08	12	Connector W/O-Ring, 3/4"-16 Male JIC To O-Ring
	GR1037	-	O-Ring
6.	G6400-10	1	Connector W/O-Ring, 7/8"-14 Male JIC To O-Ring
	GR1466	-	O-Ring
7.	G6801-08-10	2	Elbow W/O-Ring, 90°, 3/4"-16 Male JIC To 7/8"-14 O-Ring
	GR1466	-	O-Ring
8.	G6408-08	4	Plug W/O-Ring, 3/4"-16 O-Ring
	GR1037	-	O-Ring
9.		2	See "Flow Control Valve", Page P108
10.	GD9533	1	Block
11.	G6408-H06-O	6	Hex Socket Head Plug W/O-Ring, 9/16"-18 O-Ring
	GR1045	-	O-Ring
12.	G6400-08-10	2	Connector W/O-Ring, 3/4"-16 Male JIC To 7/8"-14 O-Ring
	GR1466	-	O-Ring
13.	G6408-10	2	Plug W/O-Ring, 7/8"-14 O-Ring
	GR1466	-	O-Ring
14.	GD8066-02	1	Sleeve, 1" Long
15.	GD13146	1	Cover
16.	G10133	1	Hex Head Cap Screw, 5/16"-18 x 1 1/2"
	G10232	1	Lock Washer, 5/16"
17.	G10054	1	Hex Head Cap Screw, 5/16"-18 x 1/2"
	G10232	1	Lock Washer, 5/16"
	G10106	1	Hex Nut, 5/16"-18
18.	GA9097	1	Terminal Strip W/Screws, No. 6, 14 Terminal
	GR1635	-	Screw, No. 6-32 x 1/4"
19.	G11067	2	Phillips Pan Head Machine Screw, No. 8-32 x 3/4", Stainless Steel
20.	G11066	2	Phillips Pan Head Machine Screw, No. 10-24 x 3/4", Stainless Steel
21.	GA9095	1	Terminal Strip Mount
22.	G10977	2	Phillips Pan Head Machine Screw, No. 10-24 x 1/2", Stainless Steel
23.	G6801-08	3	Elbow W/O-Ring, 90°, 3/4"-16 Male JIC To O-Ring
	GR1037	-	O-Ring
24.	G6801-L-08	1	Long Elbow W/O-Ring, 90°, 3/4"-16 Male JIC To O-Ring
	GR1037	-	O-Ring

VALVE BLOCK - LOCATED ON HITCH

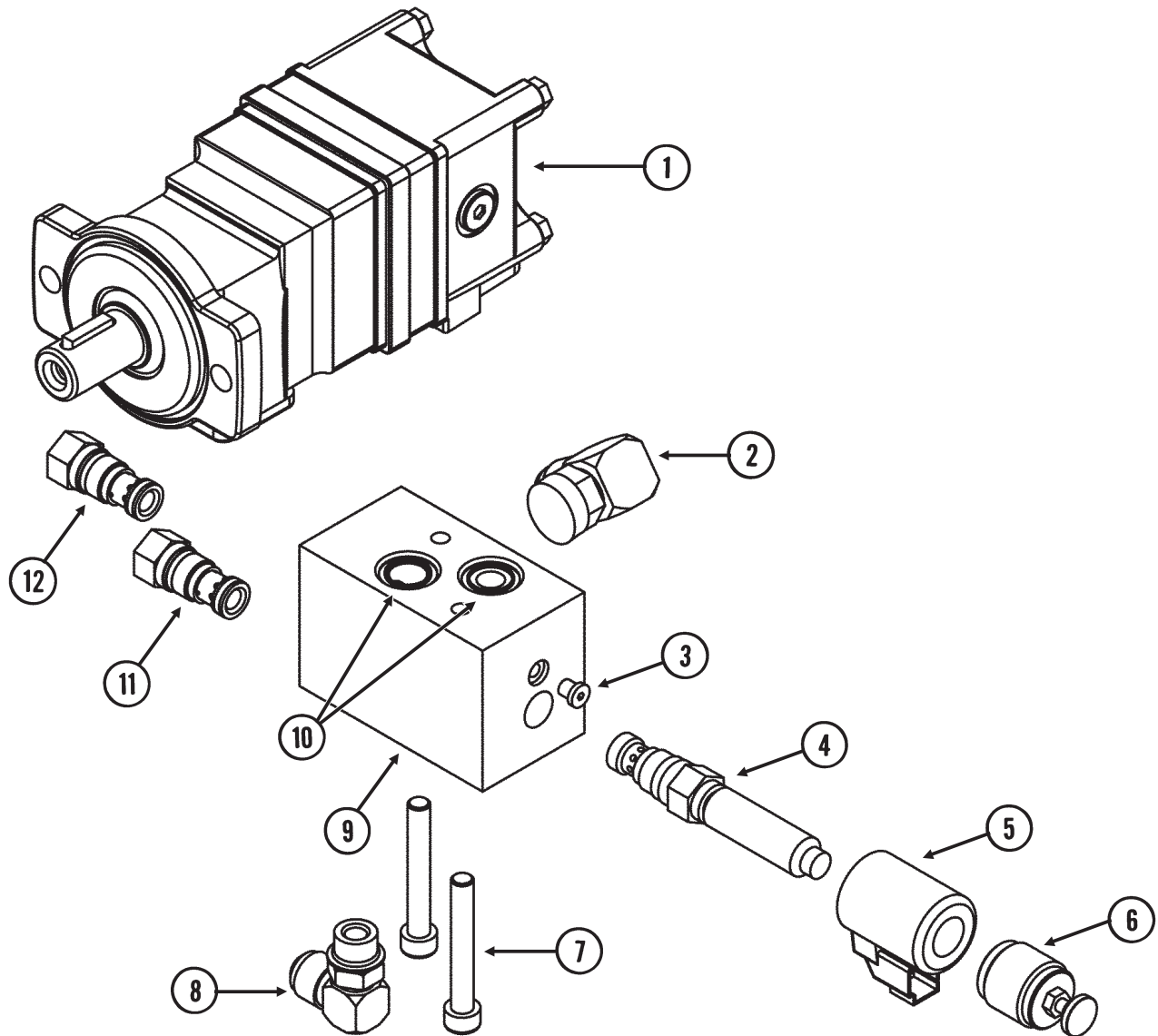
VVB035(TWL26f)



ITEM	PART NO.	QTY.	DESCRIPTION
1.	GD9905	1	Block
2.		-	See "Solenoid Valve", Page P108
3.		-	See "Pressure Relief Valve", Page P108
4.	G6400-06 GR1045	4 -	Connector W/O-Ring, 1/16"-18 Male JIC To O-Ring O-Ring
5.	G6400-08 GR1037	4 -	Connector W/O-Ring, 3/4"-16 Male JIC To O-Ring O-Ring
6.	G6400-10 GR1466	4 -	Connector W/O-Ring, 7/8"-14 Male JIC To O-Ring O-Ring
7.	G6500-06	2	Swivel Elbow, 90°, 1/16"-18 Male JIC To Female
8.	G6801-06 GR1045	2 -	Elbow W/O-Ring, 90°, 1/16"-18 Male JIC To O-Ring O-Ring
9.	G6801-08 GR1037	2 -	Elbow W/O-Ring, 90°, 3/4"-16 Male JIC To O-Ring O-Ring
10.	G6408-H06-O GR1045	2 -	Hex Socket Head Plug W/O-Ring, 1/16"-18 O-Ring O-Ring
11.		-	See "Hose Take-Up", Pages P62 And P63
12.	GD12818	-	Terminal Strip Mount
13.	G11068	2	Phillips Flat Head Machine Screw, No. 10-24 x 5/8", Stainless Steel
14.	GA9098 GR1635	- -	Terminal Strip W/Screws, No. 6, 8 Terminal Screw, No. 6-32 x 1/4"
15.	G11065	2	Phillips Pan Head Machine Screw, No. 8-32 x 5/8", Stainless Steel
16.		-	See "Electrical Components", Pages P114 And P115

VALVE BLOCK - LOCATED ON L.H. REAR CENTER FRAME

(PNE39a)

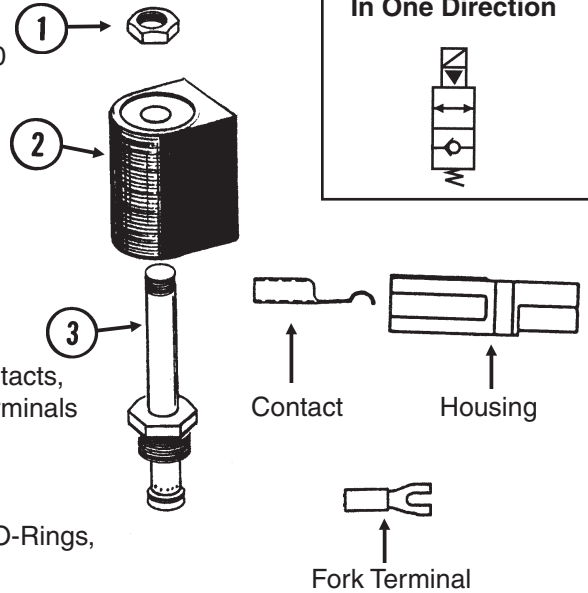


ITEM	PART NO.	QTY.	DESCRIPTION
1.	GA13220	1	Hydraulic Motor
2.	G6801-12-10	1	Elbow W/O-Ring, 90°. 1 1/16"-12 Male JIC To 7/8"-14 O-Ring
	GR1466	-	O-Ring
3.	G6408-H02-0	1	O-Ring Plug
4.	GA13221	1	Proportional Valve
5.	GA13222	1	Coil
6.	GR1847	1	Manual Override
7.	G11258	2	Hex Socket Head Cap Screw, M10-1.5 x 2.75"
8.	G6801-10-08	1	Elbow W/O-Ring, 90°, 7/8"-14 Male JIC To 3/4"-16 O-Ring
	GR1037	-	O-Ring
9.	GD18672	1	Valve Block
10.	GD12070	2	O-Ring
11.	GA13223	1	Check Valve
12.	GA13224	1	Pressure Comp. Valve

SOLENOID VALVE

VVB019(TWL27c/TWL18/PLTR75c/A9481)

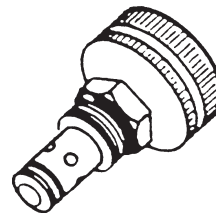
ITEM	PART NO.	QTY.	DESCRIPTION
1.	GR0761	1	Special Hex Nut, 1/2"-20
2.	G1K274	1	Coil Kit W/Contacts, Housings And Fork Terminals
	GD9529	2	Housing, Black
	GD9530	2	Contact
	G10996	2	Fork Terminal
3.	GR0763	1	Cartridge
A.	G1K275	-	Solenoid Valve Kit W/Solenoid Valve, Contacts, Housings And Fork Terminals
	GD9529	2	Housing, Black
	GD9530	2	Contact
	G10996	2	Fork Terminal
B.	GR0764	-	Seal Kit, Includes: (2) O-Rings, (1) BU Ring



FLOW CONTROL VALVE

VVB020(TWL28)

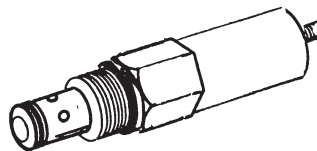
ITEM	PART NO.	QTY.	DESCRIPTION
A.	GA3413	-	Flow Control Valve
B.	GR0764	-	Seal Kit, Includes: (2) O-Rings, (1) BU Ring



PRESSURE RELIEF VALVE

VVB020(TWL29)

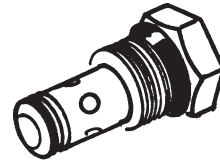
ITEM	PART NO.	QTY.	DESCRIPTION
A.	GA3407	-	Pressure Relief Valve, 1000 PSI
B.	GR0764	-	Seal Kit, Includes: (2) O-Rings, (1) BU Ring



CHECK VALVE

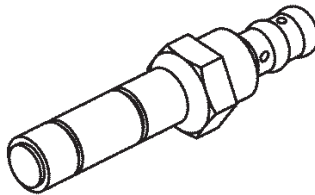
VVB020(TWL30)

ITEM	PART NO.	QTY.	DESCRIPTION
A.	GA4293	-	Check Valve
B.	GR0764	-	Seal Kit, Includes: (2) O-Rings, (1) BU Ring



PROPORTIONAL VALVE

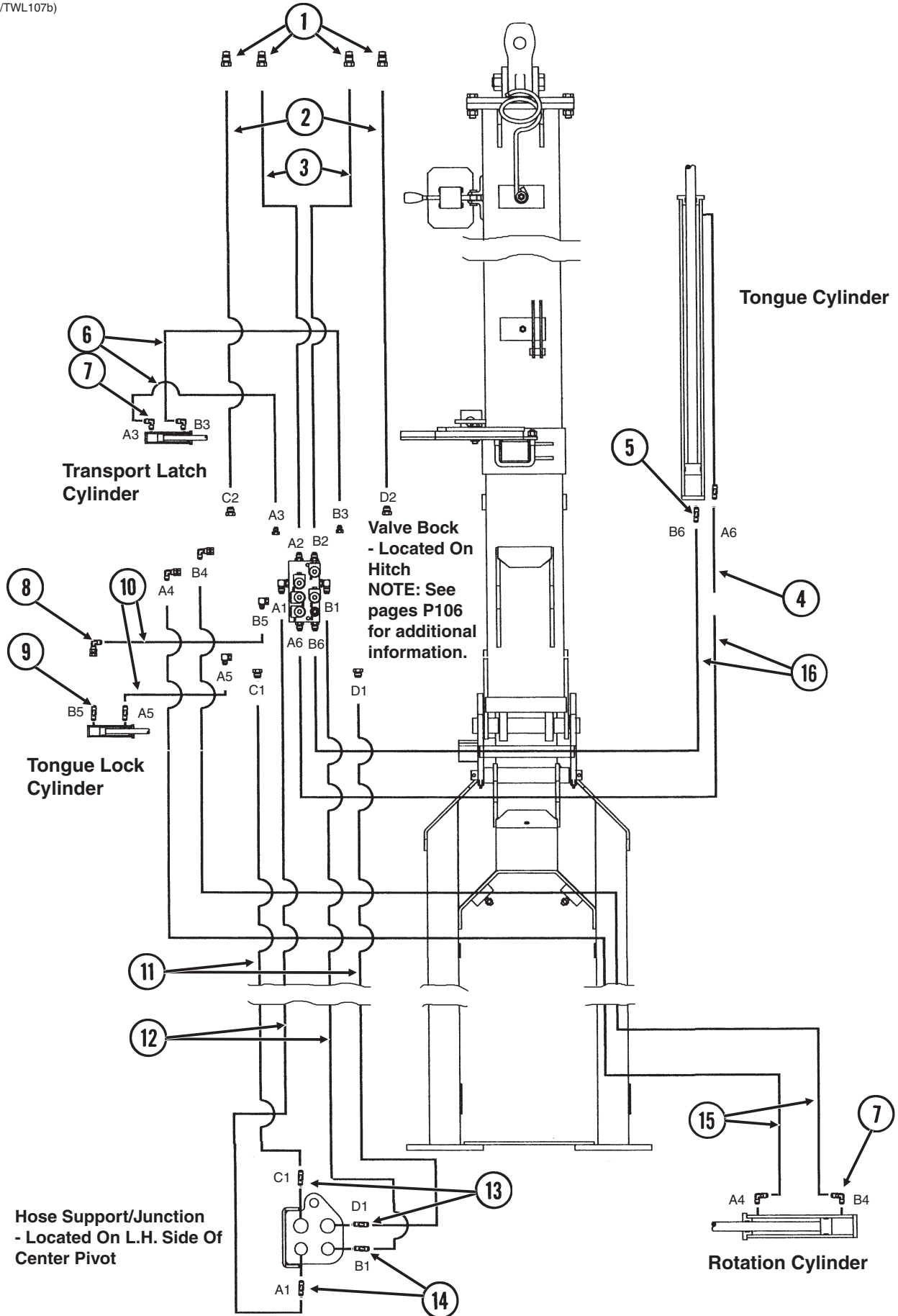
(TWL322)



ITEM	PART NO.	QTY.	DESCRIPTION
A.	GA13078	-	Proportional Valve
B.	GR0764	-	Seal Kit, Includes: (2) O-Rings, (1) BU Ring

HYDRAULIC HOSES AND FITTINGS ON HITCH

(TWL107/TWL107b)



HYDRAULIC HOSES AND FITTINGS ON HITCH

ITEM	PART NO.	QTY.	DESCRIPTION
1.	GD4086	4	ISO Coupler
2.	*A1466	2	Hose Assembly, 1/2" x 156", 8 Row 36"/38" "Y" Hitch
	*A1489	2	Hose Assembly, 1/2" x 191", 12 Row 30" "Y" Hitch
	*A1444	2	Hose Assembly, 1/2" x 250", 12 Row 30" "T" Hitch
	*A1491	2	Hose Assembly, 1/2" x 246", 16 Row 30" "Y" Hitch
3.	*A1075	2	Hose Assembly, 3/8" x 156", 8 Row 36"/38" "Y" Hitch
	*A3133	2	Hose Assembly, 3/8" x 191", 12 Row 30" "Y" Hitch
	*A1032	2	Hose Assembly, 3/8" x 240", 12 Row 30" "T" Hitch
	*A3183	2	Hose Assembly, 3/8" x 246", 16 Row 30" "Y" Hitch
4.	*A1072	1	Hose Assembly, 3/8" x 48", 8 Row 36"/38" "Y" Hitch (If Applicable)
	*A3215	1	Hose Assembly, 3/8" x 72", 12 Row 30" "Y" Hitch (If Applicable)
	*A3216	1	Hose Assembly, 3/8" x 96", 12 Row 30" "T" Hitch And 16 Row 30" "Y" Hitch (If Applicable)
5.	G6400-08	1	Connector W/O-Ring, 3/4"-16 Male JIC To O-Ring
	GR1037	-	O-Ring
6.	*A1170	2	Hose Assembly, 1/4" x 90", 8 Row 36"/38" "Y" Hitch
	*A1103	2	Hose Assembly, 1/4" x 110", 12 Row 30" "Y" Hitch
	*A1183	2	Hose Assembly, 1/4" x 157", 12 Row 30" "T" Hitch
	*A1129	2	Hose Assembly, 1/4" x 168", 16 Row 30" "Y" Hitch
7.	G6801-06-08	4	Elbow W/O-Ring, 90°, 9/16"-18 Male JIC To 3/4"-16 O-Ring
	GR1037	-	O-Ring
8.	G6502-06	1	Swivel Elbow, 45°, 9/16"-18 Male JIC To Female
9.	G6400-06-08	2	Connector W/O-Ring, 9/16"-18 Male JIC To 3/4"-16 O-Ring
	GR1037	-	O-Ring
10.	*A1181	2	Hose Assembly, 1/4" x 32", 8 Row 36"/38" "Y" Hitch
	*A1139	2	Hose Assembly, 1/4" x 40", 12 Row 30" "Y"/"T" Hitch And 16 Row 30" "Y"/"T" Hitch
11.	*A1494	2	Hose Assembly, 1/2" x 112", 8 Row 36"/38" "Y" Hitch
	*A1464	2	Hose Assembly, 1/2" x 72", 12 Row 30" "T" Hitch
	*A1467	2	Hose Assembly, 1/2" x 120", 12 Row 30" "Y" Hitch
	*A1478	2	Hose Assembly, 1/2" x 128", 16 Row 30" "Y" Hitch
12.	*A1024	2	Hose Assembly, 3/8" x 116", 8 Row 36"/38" "Y" Hitch
	*A3129	2	Hose Assembly, 3/8" x 79", 12 Row 30" "T" Hitch
	*A1011	2	Hose Assembly, 3/8" x 125", 12 Row 30" "Y" Hitch
	*A1041	2	Hose Assembly, 3/8" x 130", 16 Row 30" "Y" Hitch
13.	G2700-10	2	Bulkhead Tube Union, 7/8"-14 Male JIC
14.	G2700-08	2	Bulkhead Tube Union, 3/4"-16 Male JIC
15.	*A1105	2	Hose Assembly, 1/4" x 125", 8 Row 36"/38" "Y" Hitch
	*A1114	2	Hose Assembly, 1/4" x 85", 12 Row 30" "T" Hitch
	*A1106	2	Hose Assembly, 1/4" x 130", 12 Row 30" "Y" Hitch
	*A1116	2	Hose Assembly, 1/4" x 136", 16 Row 30" "Y" Hitch
16.	*A1022	2	Hose Assembly, 3/8" x 60", 8 Row 36"/38" "Y" Hitch
	*A3156	2	Hose Assembly, 3/8" x 68", 12 Row 30" "Y" Hitch
	*A3129	2	Hose Assembly, 3/8" x 79", 12 Row 30" "T" Hitch
	*A3118	2	Hose Assembly, 3/8" x 80", 16 Row 30" "Y" Hitch

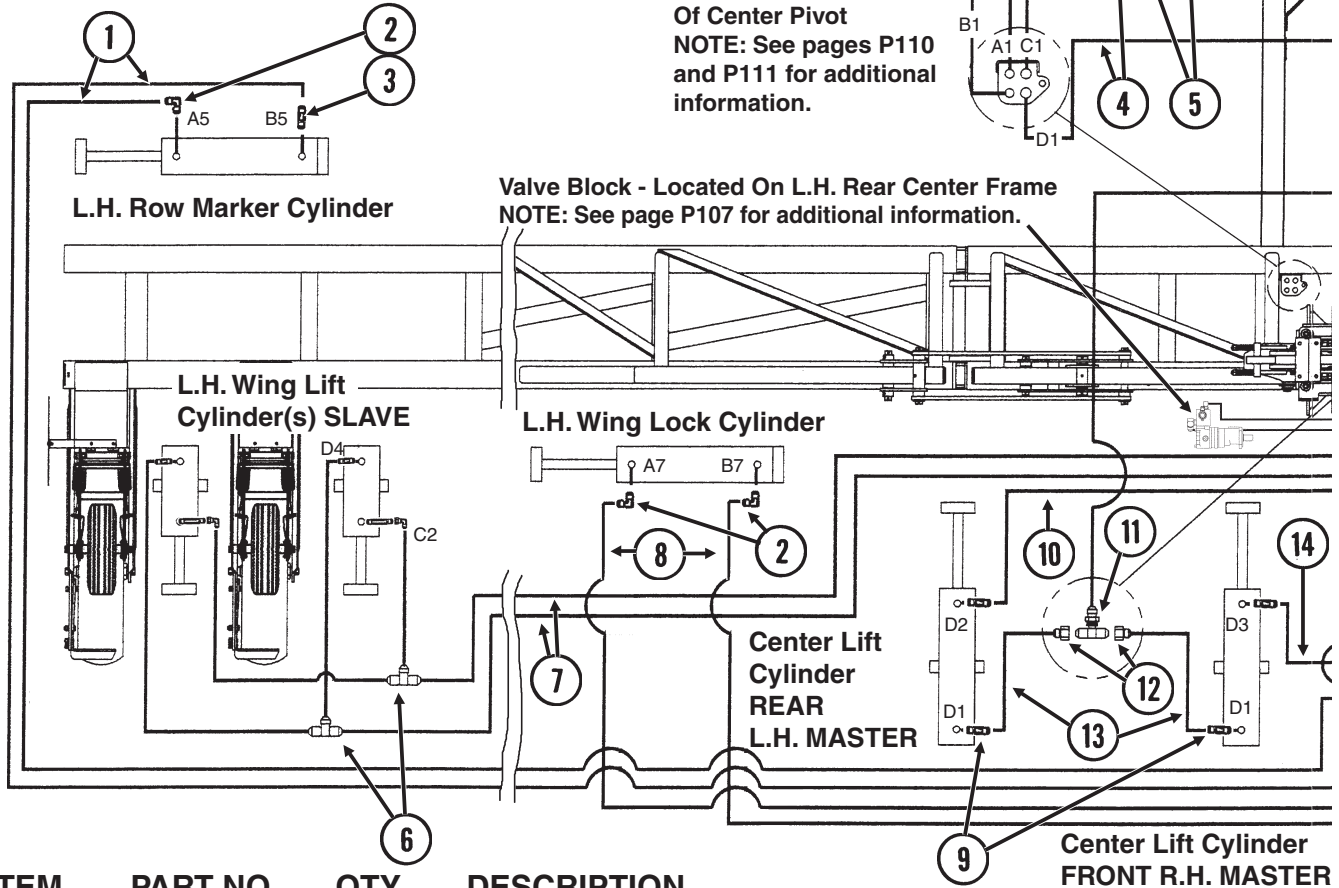
* Hydraulic hose is not stocked by KINZE® Repair Parts, but can be made available on a special order basis. Call for quote.

HYDRAULIC HOSES AND FITTINGS ON PLANTER FRAME

(TWL105b)

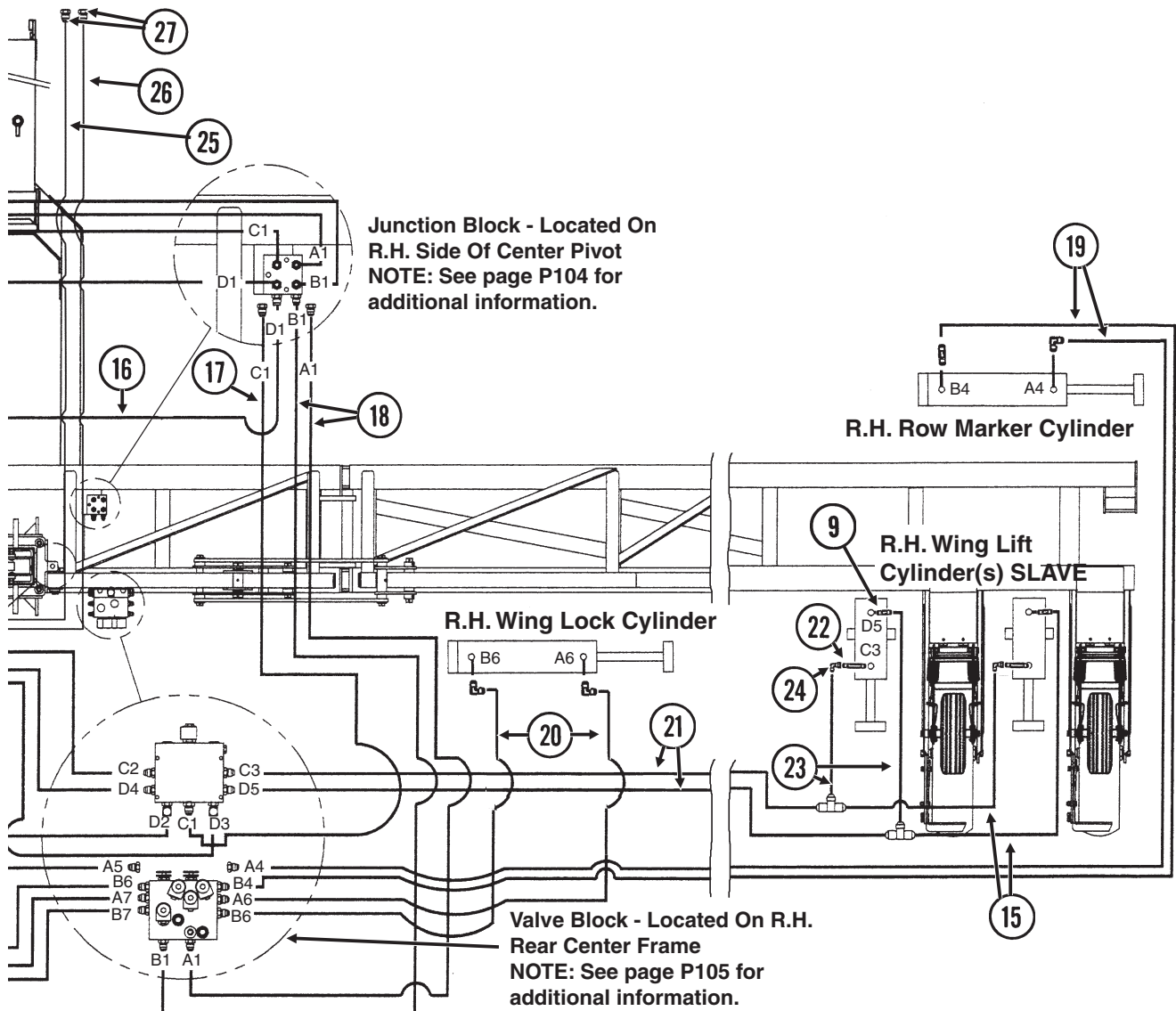
16 Row Shown (Two Wing Lift Cylinders Per Wing)
 8 And 12 Row (One Wing Lift Cylinder Per Wing)

Hose Support/Junction
 - Located On L.H. Side
 Of Center Pivot
NOTE: See pages P110
 and P111 for additional
 information.



ITEM	PART NO.	QTY.	DESCRIPTION
1.	*A3141	2	Hose Assembly, 3/8" x 260", 8 Row 36"/38"
	*A1034	2	Hose Assembly, 3/8" x 272", 12 Row 30"
	*A3181	2	Hose Assembly, 3/8" x 332", 16 Row 30"
2.	G6801-08	6	Elbow W/O-Ring, 90°, 3/4"-16 Male JIC To O-Ring
	GR1037	-	O-Ring
3.	G6400-08-04	2	Connector W/O-Ring, 3/4"-16 Male JIC To 7/16"-20 O-Ring
	GR1465	-	O-Ring
4.	*A1460	2	Hose Assembly, 1/2" x 62", 8 Row 36"/38"
	*A8267	2	Hose Assembly, 1/2" x 58", 12 Row 30" And 16 Row 30"
5.	*A3152	2	Hose Assembly, 3/8" x 62", 8 Row 36"/38"
	*A3127	2	Hose Assembly, 3/8" x 58", 12 Row 30" And 16 Row 30"
6.	G2603-08	4	Tee, 3/4"-16 Male JIC, 16 Row 30"
7.	*A1093	2	Hose Assembly, 3/8" x 230", 8 Row 36"/38"
	*A1033	2	Hose Assembly, 3/8" x 250", 12 Row 30"
	*A1034	2	Hose Assembly, 3/8" x 272", 16 Row 30"
8.	*A1055	2	Hose Assembly, 3/8" x 66"
9.	G6400-08	8	Connector W/O-Ring, 3/4"-16 Male JIC To O-Ring
	GR1037	-	O-Ring
10.	*A3131	1	Hose Assembly, 3/8" x 42"
11.	G2703-08-08-10	1	Bulkhead Tee, 7/8"-14 Male JIC To 3/4"-16 JIC
12.	G2406-10-08	2	Reducer, 7/8"-14 Female JIC To 3/4"-16 Male JIC

HYDRAULIC HOSES AND FITTINGS ON PLANTER FRAME

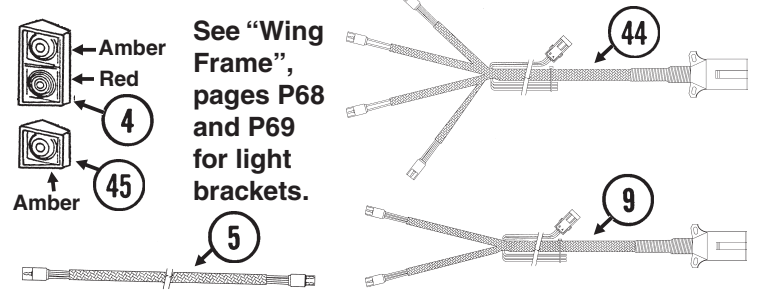
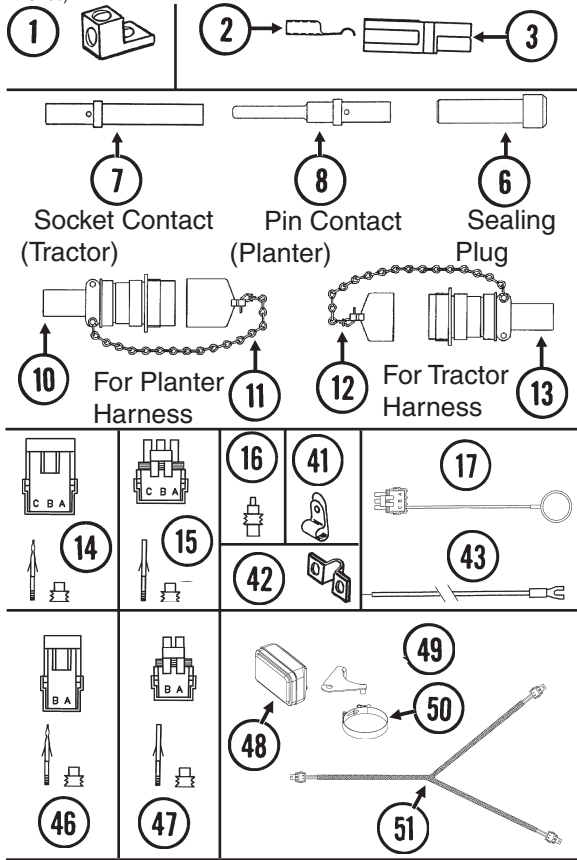


ITEM	PART NO.	QTY.	DESCRIPTION
13.	*A1076	2	Hose Assembly, 3/8" x 30"
14.	*A3128	1	Hose Assembly, 3/8" x 52"
15.	*A1018	4	Hose Assembly, 3/8" x 40", 16 Row 30"
16.	*A1404	1	Hose Assembly, 1/2" x 41"
17.	*A1424	1	Hose Assembly, 1/2" x 30"
18.	*A1076	2	Hose Assembly, 3/8" x 30"
19.	*A1054	2	Hose Assembly, 3/8" x 204", 8 Row 36"/38"
	*A3163	2	Hose Assembly, 3/8" x 225", 12 Row 30"
	*A1097	2	Hose Assembly, 3/8" x 288", 16 Row 30"
20.	*A1076	2	Hose Assembly, 3/8" x 30"
21.	*A3101	2	Hose Assembly, 3/8" x 168", 8 Row 36"/38"
	*A1028	2	Hose Assembly, 3/8" x 186", 12 Row 30"
	*A1057	2	Hose Assembly, 3/8" x 216", 16 Row 30"
22.	G6400-L-08	-	Long Connector W/O-Ring, 3/4"-16 Male JIC To O-Ring
	GR1037	-	O-Ring
23.	*A3122	4	Hose Assembly, 3/8" x 10 1/2", 16 Row 30"
24.	G6500-08	-	Swivel Elbow, 90°, 3/4"-16 Male JIC To Female
25.	GA12901	1	Hose Assembly, 3/4" x 510"
26.	GA8286	1	Hose Assembly, 1/2" x 510"
27.	GD4086	2	ISO Coupler

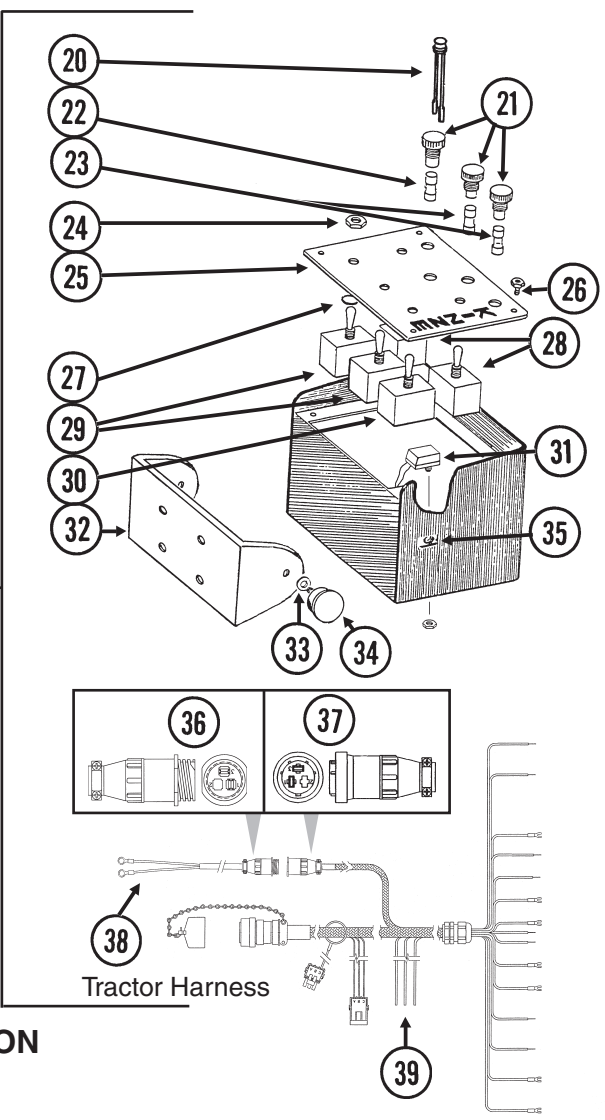
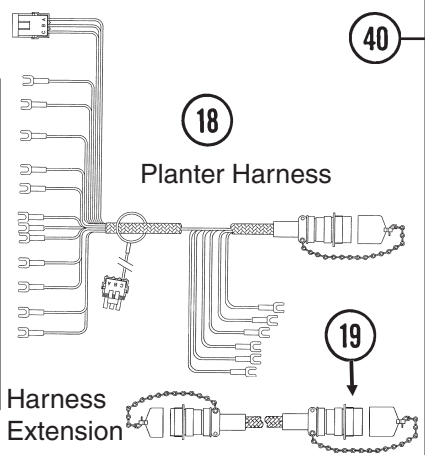
* Hydraulic hose is not stocked by KINZE® Repair Parts, but can be made available on a special order basis. Call for quote.

ELECTRICAL COMPONENTS

(TWL19a/TWL18/ELC14/ELC3a/ELC5c/MTR27a/ELC39/TWL26e/ELC8/A9481/ELC12b/MTR27/A9689b/A10924ELC4/FF27b/FF27c/ELC38/A9201a/A9202a/TWL20g/ELC34/ELC35/ELC10c)



See "Digital Vacuum Gauge, Analog Vacuum Gauge And Vacuum Fan Assembly", pages P44 and P45 for vacuum gauge electrical components.



ITEM	PART NO.	QTY.	DESCRIPTION
1.	GA3584	-	Ground Clamp
2.	GD9530	-	Contact
3.	GD9529	-	Housing, Black
	GD12726	-	Housing, Red
4.	GA6699	1	Double Light Assembly (Shown)
	GA6700	1	Double Light Assembly
	GR1203	-	Red Lens
	GR1204	-	Amber Lens
	GR1205	-	Cover
	GR1206	-	Rubber Grommet (4)
	GR1207	-	Lamp Unit
	GR1208	-	Bulb
5.	GA9096	-	Harness Extension, 42"
6.	GD8739	-	Sealing Plug, No. 12
7.	GD8740	-	Socket Contact, No. 14
8.	GD8741	-	Pin Contact, No. 14

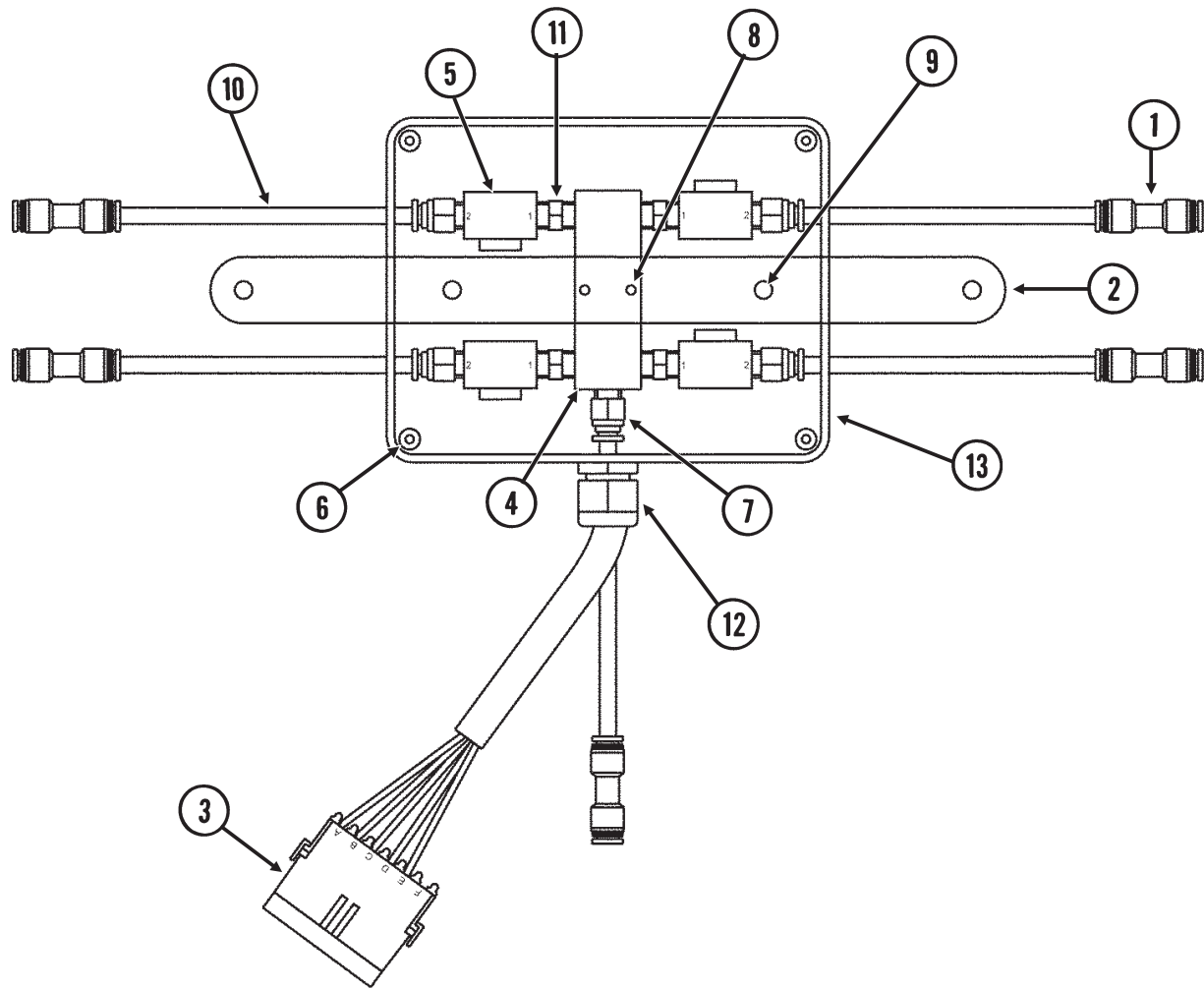
ELECTRICAL COMPONENTS

ITEM	PART NO.	QTY.	DESCRIPTION
9.	GA9202	-	Wiring Harness W/7 Terminal Female Connector, 786" (2 Light Connections), 12 Row 30"
	GA9204	-	Wiring Harness W/7 Terminal Female Connector, 882" (2 Light Connections), 16 Row 30"
	GA5385	-	7 Terminal Female Connector
10.	GA6109	1	Connector W/Cable Clamp, 23 Pin Capacity
11.	GA7862	-	Dust Cap W/Chain
12.	GA7863	-	Dust Cap W/Chain
13.	GA6108	1	Connector W/Cable Clamp, 23 Socket Capacity
14.	G1K248	-	3-Pin Female Connector Kit (Black), Includes: (3) 3-Pin Female Housings, (9) Pin Contacts, (9) Seals
15.	G1K252	-	3-Pin Male Connector Kit (Black), Includes: (3) 3-Pin Male Housings, (9) Socket Contacts, (9) Seals
16.	GD11089	-	Sealing Plug
17.	GA8047	-	Dust Plug (Black)
18.	GA9112	1	Wiring Harness W/Dust Cap, 516", 8 Row 36"/38" And 12 Row 30"
	GA9113	-	Wiring Harness W/Dust Cap, 636", 16 Row 30"
19.	GA7399	-	Harness Extension W/Dust Caps, 180"
20.	GA7077	1-4	Indicator Light
21.	GA2612	3-5	Fuse Holder W/Spade, 1 ³³ / ₅₀ "
22.	GD2829	1-2	Fuse, 15 Amp, Type AGC
23.	GD10243	2-6	Fuse, MDL 10 Amp Delay Action
24.	GR1363	5	Hex Face Nut, ¹⁵ / ₃₂ "-32
	GR1364	5	Internal Tooth Lock Washer, ¹⁵ / ₃₂ "
25.	GA8734	1	Cover Plate (Shown)
	GA8735	-	Cover Plate, Planters Equipped With Two-Speed Point Row Clutch
26.	GR1292	4	Pan Head Screw, No. 8-32 x 1/2"
27.	GD3860	-	O-Ring (If Applicable)
28.	GA2528	2	Switch, 3 Position Toggle, On-Off-On
29.	GA6978	2	Switch, 3 Position Toggle, Momentary On-Off-Momentary On
30.	GA6977	1-2	Switch, 2 Position Toggle, On-Off
31.	GA8731	1	Switch, Push Button W/Transformer
32.	GD9896	1	Mounting Bracket
33.	G10211	4	Washer, 1/4" SAE
34.	GA6975	2	Knob
35.	GR1290	2	Cage Nut, 1/4"-20
36.	G1K267	-	Console Cable Connector Kit, Includes: (1) 3-Pin Connector, (1) Cable Clamp, (3) Male Terminal Pins
37.	G1K268	-	Console Cable Connector Kit, Includes: (1) 3-Pin Connector, (1) Cable Clamp, (1) Lock Ring, (3) Female Terminal Pins
38.	GA7856	1	Power Lead Adapter
39.	GA8729	1	Wiring Harness W/Dust Cap And Power Cable
40.	G7633X	-	Backlit Control Console Assembly W/Mounting Brackets, Short Harness W/Dust Cap And Power Cable
	G7639X	-	Backlit Control Console Assembly W/Mounting Brackets, Short Harness W/Dust Cap And Power Cable (Planters Equipped With Two-Speed Point Row Clutch)
41.	GD6291	-	Insulated Clamp, ³ / ₈ "
	GD13348	-	Insulated Clamp, ¹¹ / ₁₆ "
42.	GD13310	-	Jumper, ⁷ / ₁₆ "
43.	GA9481	-	Jumper Wire W/Fork Terminal, 13"
	G10996	-	Fork Terminal
44.	GA9201	1	Wiring Harness W/7 Terminal Female Connector, 714" (4 Light Connections), 8 Row 36"/38"
	GA9203	-	Wiring Harness W/7 Terminal Female Connector, 870" (4 Light Connections), 12 Row 36"/38"
	GA5385	-	7 Terminal Female Connector
45.	GA6701	1	Single Amber Light Assembly
	GR1204	-	Amber Lens
	GR1206	-	Rubber Grommet (2)
	GR1207	-	Lamp Unit
	GR1208	-	Bulb
46.	G1K321	-	2-Pin Female Connector Kit (Black), Includes: (3) 2-Pin Female Housings, (6) Pin Contacts, (6) Seals
47.	G1K320	-	2-Pin Male Connector Kit (Black), Includes: (3) 2-Pin Male Housings, (6) Socket Contacts, (6) Seals
48.	GA9689	2	Work Light Assembly
49.	GD16046	2	Bracket, 4 1/4" x 4"
50.	G11159	1-2	T-Bolt Clamp, 3 1/2", Stainless Steel
51.	GA10924	1	Wiring Harness, 348"

NOTE: See "Point Row Clutch" or "Two-Speed Point Row Clutch" for R.H. and L.H. Wiring Harness for the point row clutches. See "KPM III Electronic Seed Monitor" for those components.

VALVE BOX MODULE

(A12554)



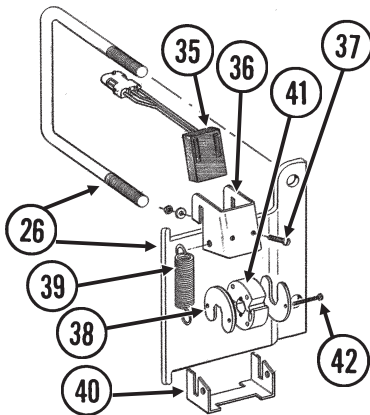
VALVE BOX MODULE

ITEM	PART NO.	QTY.	DESCRIPTION
1.	GD18395	5	Straight Union, 1/4"
2.	GD18389	1	Strap
3.	GA12861	1	Valve Box Harness
4.	GA12865	1	Manifold
5.	GA12866	4	Valve
6.	G11243	4	Slotted Flat Head Machine Screw, No. 8-32 x 1/2", Stainless Steel
7.	GD18085	5	Male Connector, 1/4"
8.	G11244	2	Phillips Flat Head Machine Screw, No. 10-24 x 1 1/2"
	G10395	2	Hex Nut, No. 10-24
9.	G10022	2	Hex Head Cap Screw, 1/4"-20 x 1/2"
	G10110	2	Lock Nut, 1/4"-20, Grade B
10.	GD17151-05	5	Nylon Tube, 1/4" O.D. x 5" Long
11.	GD18398	5	Hex Nipple, 1/8" Pipe
12.	GA9963	1	Strain Relief
13.	GD18437	1	Valve Box Cover
A.	GA12554	-	Valve Box Module Assembly, (Items 1-13)

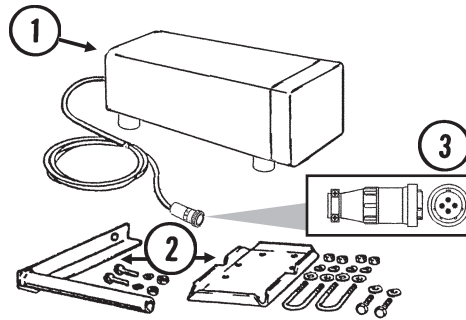
KPM III ELECTRONIC SEED MONITOR

(MTR59)

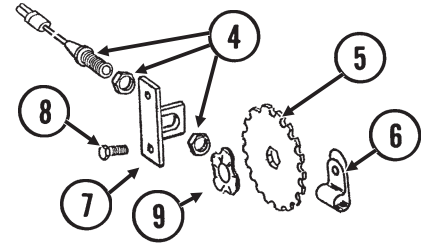
Shaft Rotation Sensor



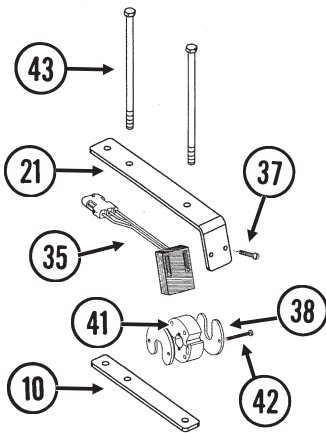
Radar Distance Sensor



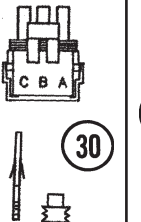
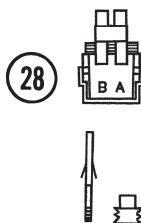
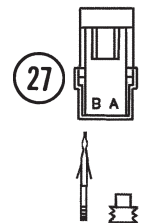
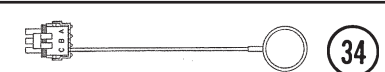
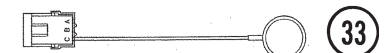
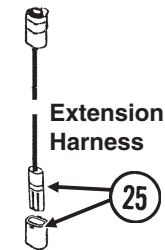
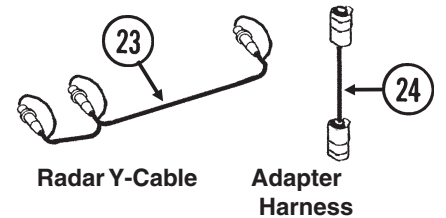
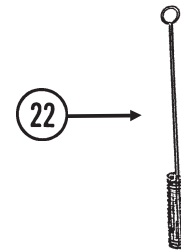
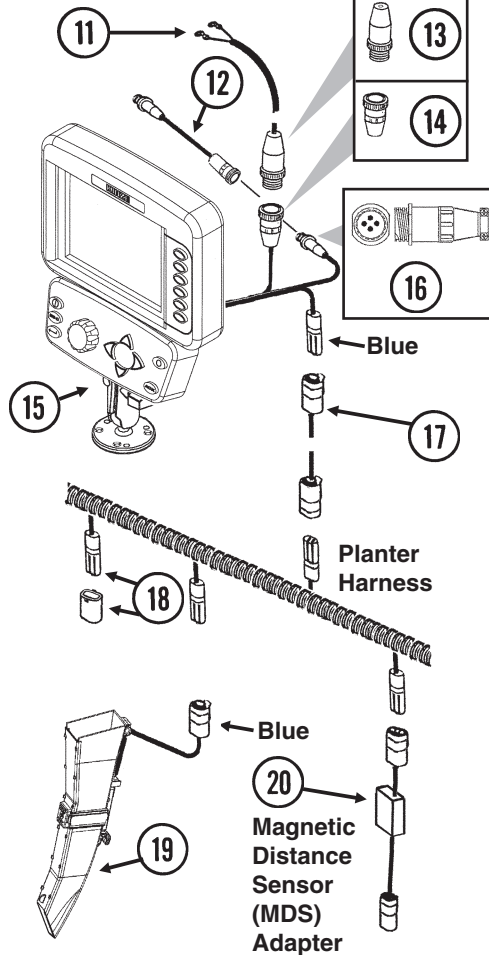
Magnetic Distance Sensor (MDS)



Shaft Rotation Sensor



Power Lead Adapter



ITEM	PART NO.	QTY.	DESCRIPTION
------	----------	------	-------------

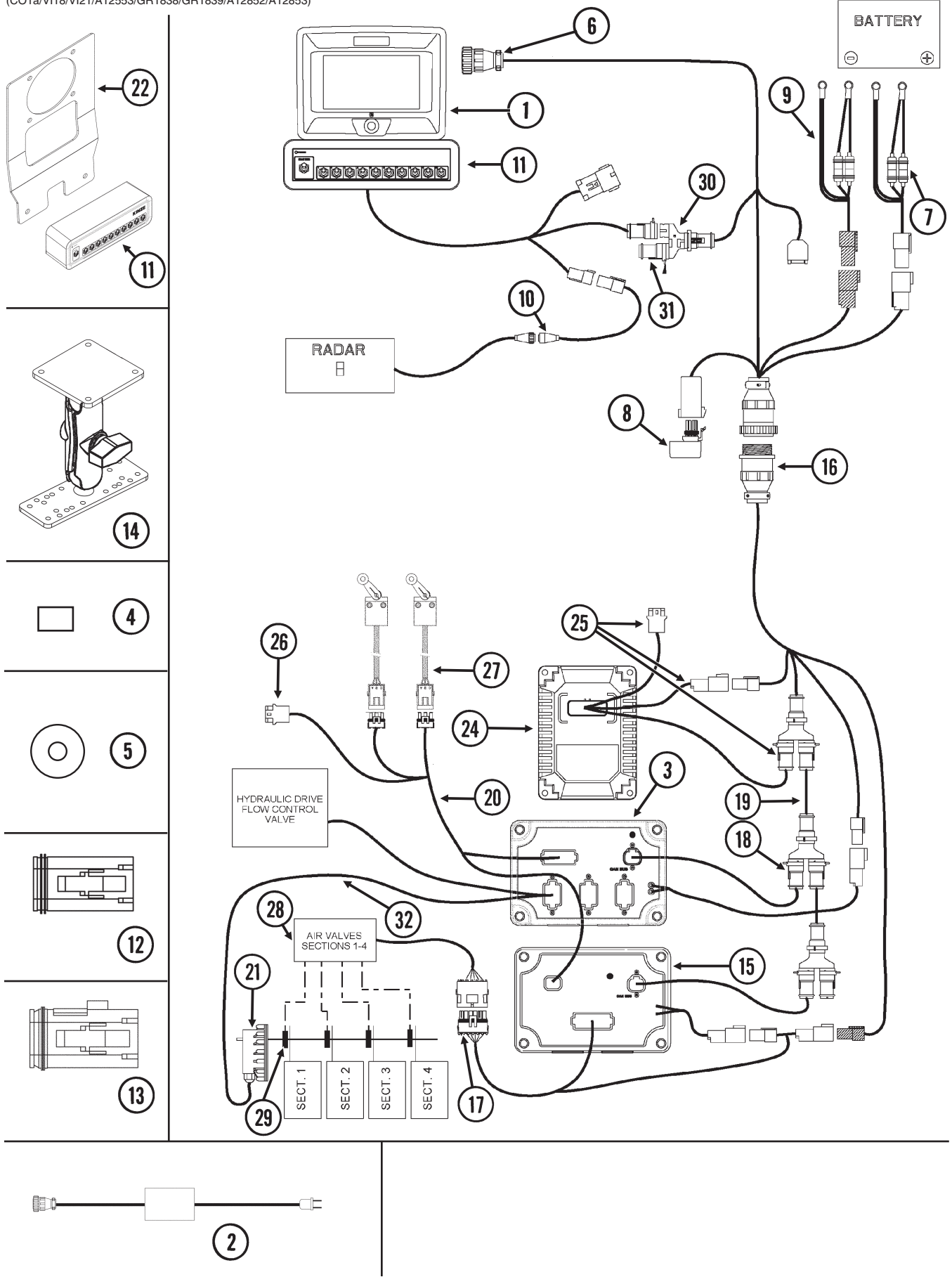
1.	GA7858	-	Radar Distance Sensor W/20' Cable
2.	GA8026	-	Radar Sensor Pipe/Mounting Bracket Package
3.	G1K323	-	4-Pin Connector Kit W/Female Housing, Includes: (4) Pins, (1) Cable Clamp
4.	GA5600	1	Magnetic Distance Sensor
5.	GD8751	-	Magnetic Distance Sensor Pulse Wheel
6.	GD6291	-	Insulated Clamp, 3/8"
7.	GD8770	1	Bracket
8.	G10001	2	Hex Head Cap Screw, 3/8"-16 x 1"
	G10229	2	Lock Washer, 3/8"
	G10101	2	Hex Nut, 3/8"-16
9.	GD8771	1	Spring Wave Washer

KPM III ELECTRONIC SEED MONITOR

ITEM	PART NO.	QTY.	DESCRIPTION
10.	GD18168	2	Mount
11.	GA7856	1	Power Lead Adapter
12.	GA9144	-	Monitor/Radar Adapter Cable, 10"
13.	G1K267	-	Console Cable Connector Kit, Includes: (1) Cable Clamp, (1) 3-Pin Connector, (3) Male Terminal Pins
14.	G1K268	-	Console Cable Connector Kit, Includes: (1) Cable Clamp, (1) 3-Pin Connector, (1) Lock Ring, (3) Female Terminal Pins
15.	GA11039	-	KPM III Backlit Console W/Brush (Item 22), Dust Plug (Item 33), Mounting Bracket Assembly, Console Mounting Bracket Hardware And Power Harness
	GA12403	-	Mounting Bracket Assembly, Includes: (2) Mounting Brackets, (2) Connector Halves, (1) Compression Spring, (1) Tension Knob, (1) 1/4"-20 x 1 3/4" Hex Head Cap Screw, (1) 1/4" Plastic Washer, (1) 1/4" Steel Washer
	GR1762	-	Console Mounting Bracket Hardware Package, Includes: (3) No. 10-32 x 5/8" Hex Socket Pan Head Screws, (3) No. 10 Lock Washers
	GR1764	-	Power Harness
16.	G1K322	-	4-Pin Connector Kit W/Male Housing, Includes: (4) Female Socket Contacts And (1) Cable Clamp
17.		-	See Tractor/Planter Wiring Harness, Items 18 And 39 On Pages P114 And P115
18.	GA8022	-	Planter Harness W/Dust Caps, 6 Row (9 Connectors)
	GA7850	-	Planter Harness W/Dust Caps, 8 Row (12 Connectors)
	GA7851	-	Planter Harness W/Dust Caps, 12 Row (16 Connectors)
	GA7852	-	Planter Harness W/Dust Caps, 16 Row (20 Connectors)
	GD11993	-	Dust Cap
19.	GA12650	-	Seed Tube W/Computerized Sensor
	GR1737	-	Sensor Only
	GA12636	-	Seed Tube (With Holes For Sensor Installation)
20.	GA7859	1	Magnetic Distance Sensor Adapter (Analog To Digital)
21.	GD18118	2	Shaft Sensor Mount
22.	GR0594	-	Brush
23.	GR0586	1	Radar Y-Cable (Used To Connect Radar Distance Sensor For Multiple Functions)
24.	GA7857	-	Adapter Harness, 1'
25.	GA7854	-	Extension Harness W/Dust Cap, 15'
	GA7855	-	Extension Harness W/Dust Cap, 30'
	GD11993	-	Dust Cap
26.	G1K364	-	Rotation Sensor Mount Kit, Includes: (2) Mounts, (2) GD11721 5" x 7" U-Bolts, (4) G10228 Lock Washers, (4) G10102 Hex Nuts, (1) Instruction
27.	G1K321	-	2-Pin Female Connector Kit (Black), Includes: (3) 2-Pin Female Housings, (6) Pin Contacts, (6) Seals
28.	G1K320	-	2-Pin Male Connector Kit (Black), Includes: (3) 2-Pin Male Housings, (6) Socket Contacts, (6) Seals
29.	G1K248	-	3-Pin Female Connector Kit (Black), Includes: (3) 3-Pin Female Housings, (9) Pin Contacts, (9) Seals
	G1K362	-	3-Pin Female Connector Kit (Blue), Includes: (3) 3-Pin Female Housings, (9) Pin Contacts, (9) Seals
30.	G1K252	-	3-Pin Male Connector Kit (Black), Includes: (3) 3-Pin Male Housings, (9) Socket Contacts, (9) Seals
	G1K363	-	3-Pin Male Connector Kit (Blue), Includes: (3) 3-Pin Male Housings, (9) Socket Contacts, (9) Seals
31.	GD11089	-	Sealing Plug
32.	G1K249	-	Acre Counter Switch Kit
33.	GA8046	-	Dust Plug (Black)
	GA9978	-	Dust Plug (Blue)
34.	GA8047	-	Dust Plug (Black)
	GA9979	-	Dust Plug (Blue)
35.	GR1415	1	Rotation Sensor
36.	GD11169	1	Mount
37.	G10757	2	Pan Head Screw, No. 10-32 x 1 1/4"
	G10243	2	Washer, No. 10 SAE
	G10758	2	Hex Nut, No. 10-32
38.	GD11474	2	Cover
39.	GD5857	2	Spring
40.	GD11170	1	Spring Mount
41.	GR1414	1	Actuator
42.	G10927	2	Pan Head Machine Screw, No. 8-32 x 1 1/4", Stainless Steel
	G10931	2	Lock Washer, No. 8, Internal/External, Stainless Steel
	G10928	2	Hex Nut, No. 8-32, Stainless Steel
43.	G10686	4	Hex Head Cap Screw, 3/8"-16 x 8"
	G10229	4	Lock Washer, 3/8"
	G10101	4	Hex Nut, 3/8"-16
A.	GA6147	-	Magnetic Distance Sensor And Mounting Package (Items 4-9)

KINZE COBALT™ DISPLAY

(CO1a/VI18/VI21/A12553/GR1838/GR1839/A12852/A12853)



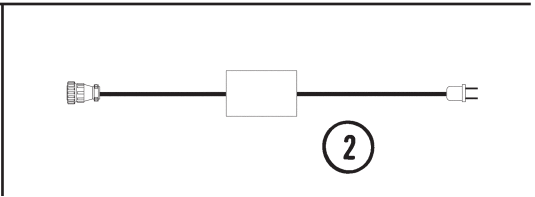
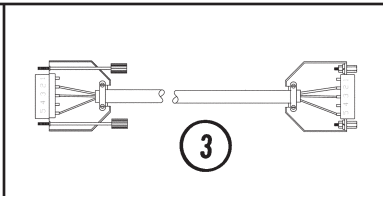
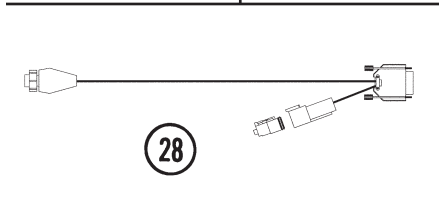
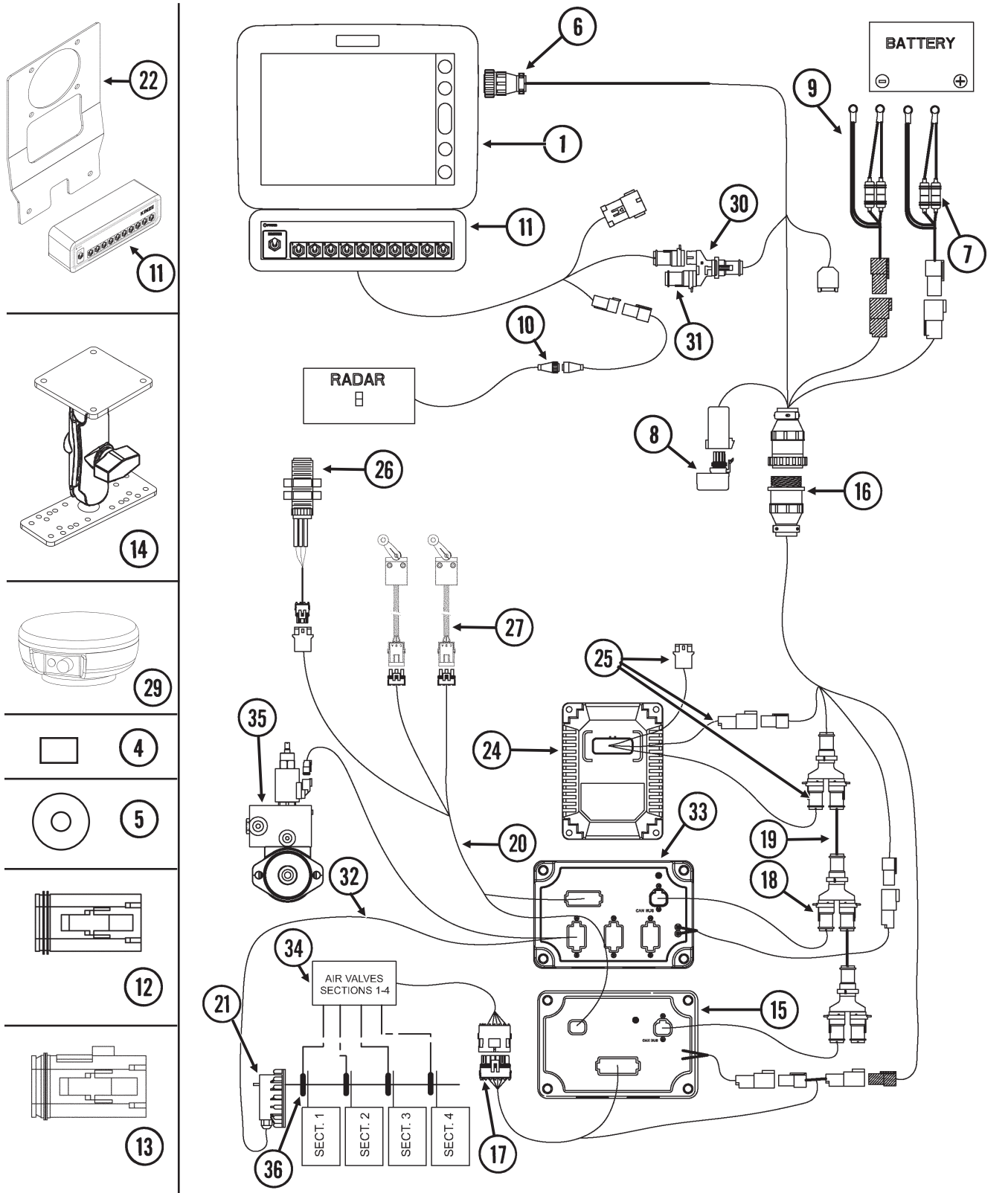
KINZE COBALT™ DISPLAY

ITEM	PART NO.	QTY.	DESCRIPTION
1.	*GA13554	1	Cobalt Display
2.	GA12852	1	Power Supply
3.	GA12564	1	Seed Rate Module
4.	GR1835	1	Flash Card
5.	GR1836	1	SMS CD
6.	GA12551	1	Display Cable
7.	GA12562	1	Power Cable
8.	GA12540	1	Power Control Relay
9.	GA12598	1	Seed Rate Power Cable
10.	GA12596	1	Radar Adapter Cable
11.	GA12539	1	Switch Box Module
12.	GR1838	1	Dust Plug
13.	GR1839	1	Dust Plug
14.	GA12868	1	Mounting Bracket Assembly
	GD18407	1	Ram Base
	GD18408	1	Ram Vesa Base
15.	GA12537	1	Clutch Control Module
16.	GA12555	1	Implement Cable (12 Row)
	GA12655	-	Implement Cable (16 Row)
17.	GA12556	1	Seed Command Cable
18.	GA12558	1	Can Stub Cable, 8"
19.	GA12559	1	Can Extension, 5"
20.	GA12560	1	Implement Switch Extension Cable
21.	GA12565	1	Encoder Module
22.	GR1916	1	Switch Box Bracket
24.		-	See "Planter Monitor Module (PMM)", Pages P124 And P125
25.		-	See "Planter Monitor Module (PMM)", Pages P124 And P125
26.	GA13204	1	Hall Effect Sensor
27.	GA13580	2	Limit Switch W/Cable
28.			See "Center Frame", Pages P64 And P65
29.			See "Pneumatic Down Pressure Package Option And Pull Row Unit, Air Clutch Package Option", Pages P6 And P7 And "Interplant Push Row Unit, Air Clutch Package", Pages P42 And P43
30.	GD18176	-	Y-Splice Connector
31.	GD18177	-	Terminator
32.	GA12568	1	Seed Rate Cable

*See alternate view for mounting bracket.

KINZE VISION® DISPLAY

(VI50a/VI18/VI21/A12553/GR1838/GR1839/A12852/A12853)



KINZE VISION® DISPLAY

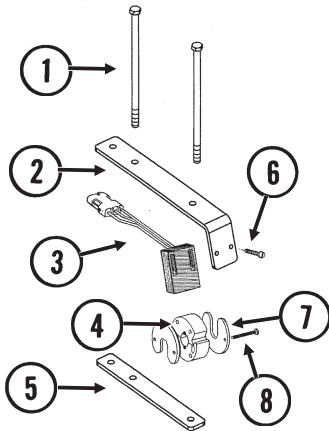
ITEM	PART NO.	QTY.	DESCRIPTION
1.	*GA12536	1	Vision Display
2.	GA12852	1	Power Supply
3.	GA12853	1	Null Modem Cable
4.	GR1835	1	Flash Card
5.	GR1836	1	SMS CD
6.	GA12551	1	Display Cable
7.	GA12562	1	Power Cable
8.	GA12540	1	Power Control Relay
9.	GA12598	1	Seed Rate Power Cable
10.	GA12596	1	Radar Adapter Cable
11.	*GA12539	1	Switch Box Module
12.	GR1838	1	Dust Plug
13.	GR1839	1	Dust Plug
14.	GA12868	1	Mounting Bracket Assembly
	GD18407	1	Ram Base
	GD18408	1	Ram Vesa Base
15.	GA12537	1	Clutch Control Module
16.	GA12555	1	Implement Cable (12 Row)
	GA12655	-	Implement Cable (16 Row)
17.	GA12556	1	Seed Command Cable
18.	GA12558	1	Can Stub Cable, 8"
19.	GA12559	1	Can Extension, 5"
20.	GA12560	1	Implement Switch Extension Cable
21.	GA12565	1	Encoder Module
22.	GR1837	1	Switch Box Bracket
24.		-	See "Planter Monitor Module (PMM)", Pages P124 And P125
25.		-	See "Planter Monitor Module (PMM)", Pages P124 And P125
26.	GA13204	1	Hall Effect Sensor
27.	GA13580	2	Limit Switch W/Cable
28.	GA12553	1	GPS Cable
29.	GA12552	1	GPS Antenna
30.	GD18176	-	Y-Splice Connector
31.	GD18177	-	Terminator
32.	GA12568	1	Seed Rate Cable
33.	GA12564	1	Seed Rate Module
34.		-	See "Center Frame", Pages P64 And P65
35.		-	See "Valve Block - Located On L.H. Rear Center Frame", Page P107
36.		-	See "Pneumatic Down Pressure Package Option", Pages P6 And P7 And "Interplant Push Row Unit, Air Clutch Package", Pages P42 And P43

*See alternate view for mounting bracket.

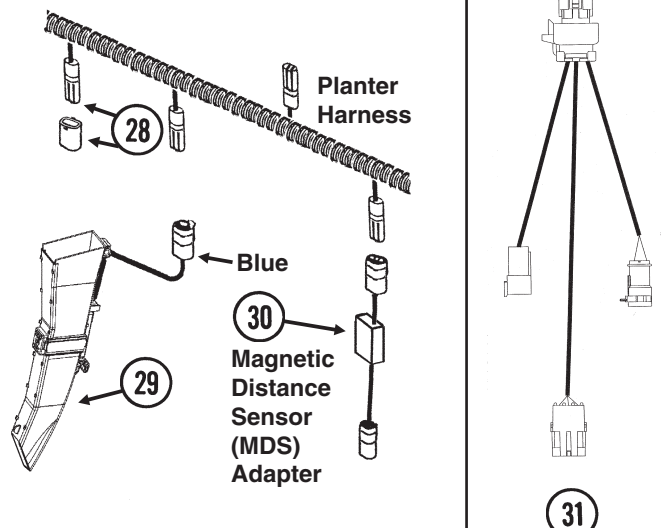
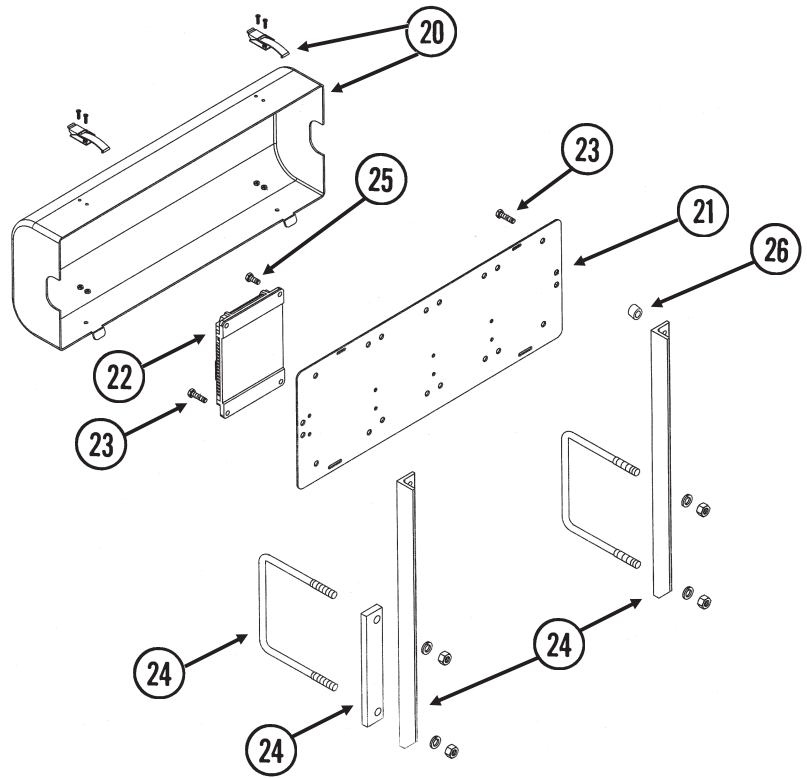
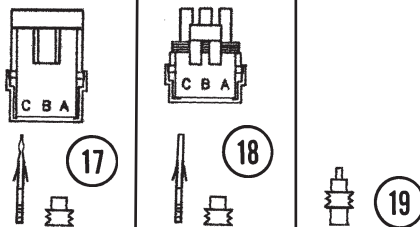
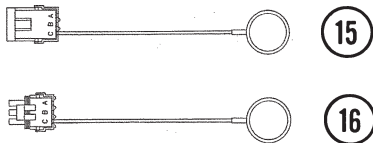
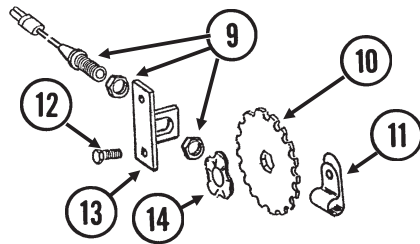
PLANTER MONITOR MODULE (PMM)

(MTR60/MTR63/PMM01/MTR65/MTR61/MTR64/MTR62/PMM02)

Shaft Rotation Sensor



Magnetic Distance Sensor (MDS)



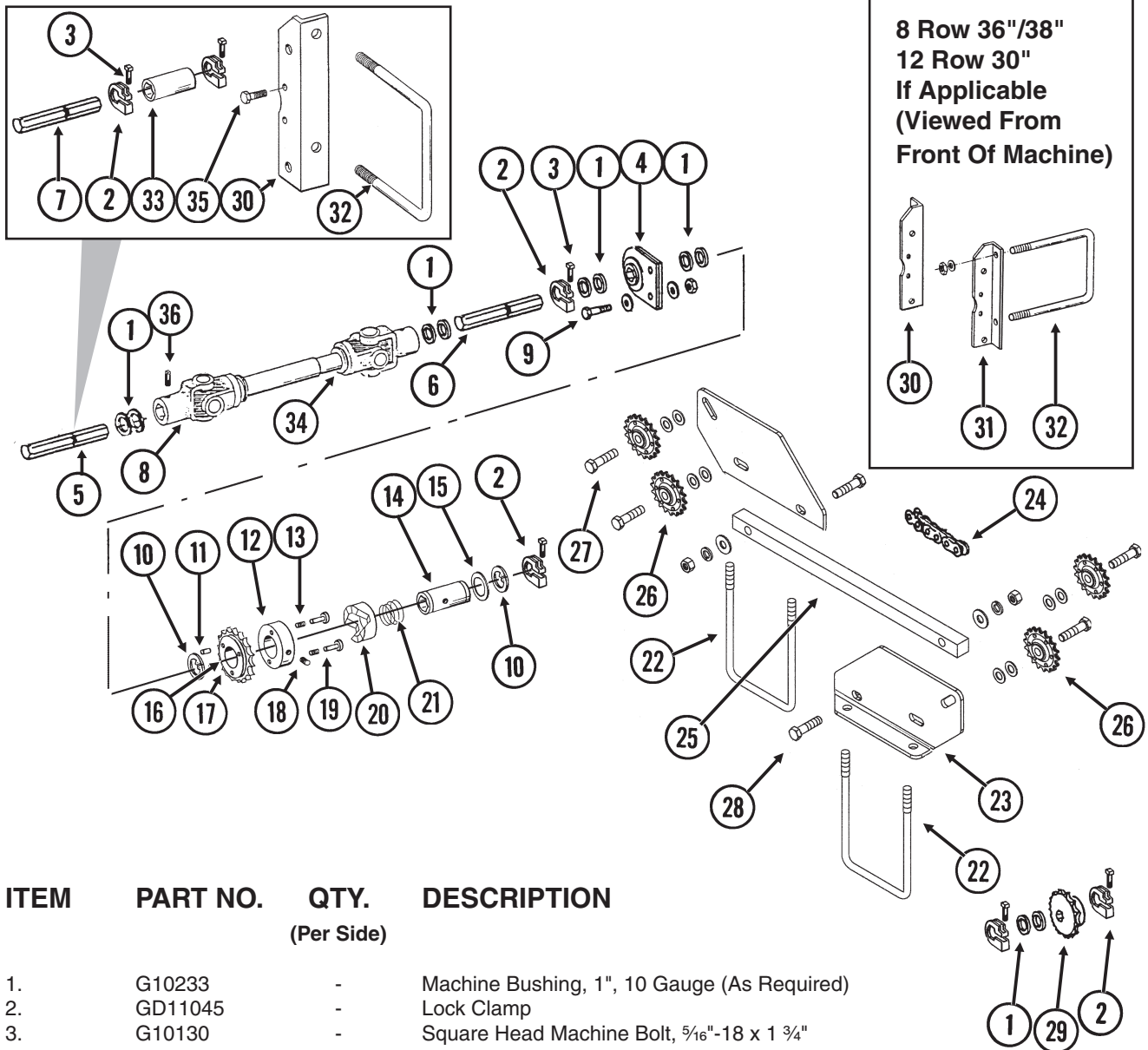
ITEM	PART NO.	QTY.	DESCRIPTION
1.	G10686	4	Hex Head Cap Screw, 3/8"-16 x 8"
	G10229	4	Lock Washer, 3/8"
	G10101	4	Hex Nut, 3/8"-16
	GD18118	2	Shaft Sensor Mount
	GR1415	1	Rotation Sensor
	GR1414	1	Actuator
	GD18168	2	Mount
	G10757	2	Pan Head Screw, No. 10-32 x 1 1/4"
2.	G10243	2	Washer, No. 10 SAE
	G10758	2	Hex Nut, No. 10-32

PLANTER MONITOR MODULE (PMM)

ITEM	PART NO.	QTY.	DESCRIPTION
7.	GD11474	2	Cover
8.	G10927	2	Pan Head Machine Screw, No. 8-32 x 1 1/4", Stainless Steel
	G10931	2	Lock Washer, No. 8, Internal/External, Stainless Steel
	G10928	2	Hex Nut, No. 8-32, Stainless Steel
9.	GA5600	1	Magnetic Distance Sensor
10.	GD8751	-	Magnetic Distance Sensor Pulse Wheel
11.	GD6291	-	Insulated Clamp, 3/8"
12.	G10001	2	Hex Head Cap Screw, 3/8"-16 x 1"
	G10229	2	Lock Washer, 3/8"
	G10101	2	Hex Nut, 3/8"-16
13.	GD8770	1	Bracket
14.	GD8771	1	Spring Wave Washer
15.	GA8046	-	Dust Plug (Black)
	GA9978	-	Dust Plug (Blue)
16.	GA8047	-	Dust Plug (Black)
	GA9979	-	Dust Plug (Blue)
17.	G1K248	-	3-Pin Female Connector Kit (Black), Includes: (3) 3-Pin Female Housings, (9) Pin Contacts, (9) Seals
	G1K362	-	3-Pin Female Connector Kit (Blue), Includes: (3) 3-Pin Female Housings, (9) Pin Contacts, (9) Seals
18.	G1K252	-	3-Pin Male Connector Kit (Black), Includes: (3) 3-Pin Male Housings, (9) Socket Contacts, (9) Seals
	G1K363	-	3-Pin Male Connector Kit (Blue), Includes: (3) 3-Pin Male Housings, (9) Socket Contacts, (9) Seals
19.	GD11089	-	Sealing Plug
20.	GA12563	1	Module Cover Assembly W/Lock Clamps
	GA12641	-	Lock Clamp
	G11065	-	Phillips Pan Head Machine Screw, No. 8-32 x 5/8", Stainless Steel
	G11202	-	Lock Nut W/Nylon Insert, No. 8-32, Stainless Steel
21.	GD18013	1	Bracket
22.	GA12538	1	Planter Monitor Module
23.	G10031	4	Hex Head Cap Screw, 5/16"-18 x 1 3/4"
	G10232	4	Lock Washer, 5/16"
	G10106	4	Hex Nut, 5/16"-18
24.			See "Manifolds And Distribution Hoses", Pages P50 And P51
25.	G10043	2	Hex Head Cap Screw, 5/16"-18 x 3/4"
	G10232	2	Lock Washer, 5/16"
	G10106	2	Hex Nut, 5/16"-18
26.	GD2971-17	4	Sleeve, 7/8" Long
27.	GR0594	-	Brush
28.	GA7850	-	Planter Harness W/Dust Caps, 8 Row (12 Connectors)
	GA7851	-	Planter Harness W/Dust Caps, 12 Row (16 Connectors)
	GA7852	-	Planter Harness W/Dust Caps, 16 Row (20 Connectors)
	GD11993	-	Dust Cap
29.	GA12650	-	Seed Tube W/Computerized Sensor
	GR1737	-	Sensor Only
	GA12636	-	Seed Tube (With Holes For Sensor Installation)
30.	GA7859	1	Magnetic Distance Sensor Adapter (Analog To Digital)
31.	GA12557	1	Planter Monitor Module Cable
A.	GA6147	-	Magnetic Distance Sensor And Mounting Package (Items 9-14)

INTERPLANT® PUSH ROW UNIT DRIVE

(RU134/TWL516)



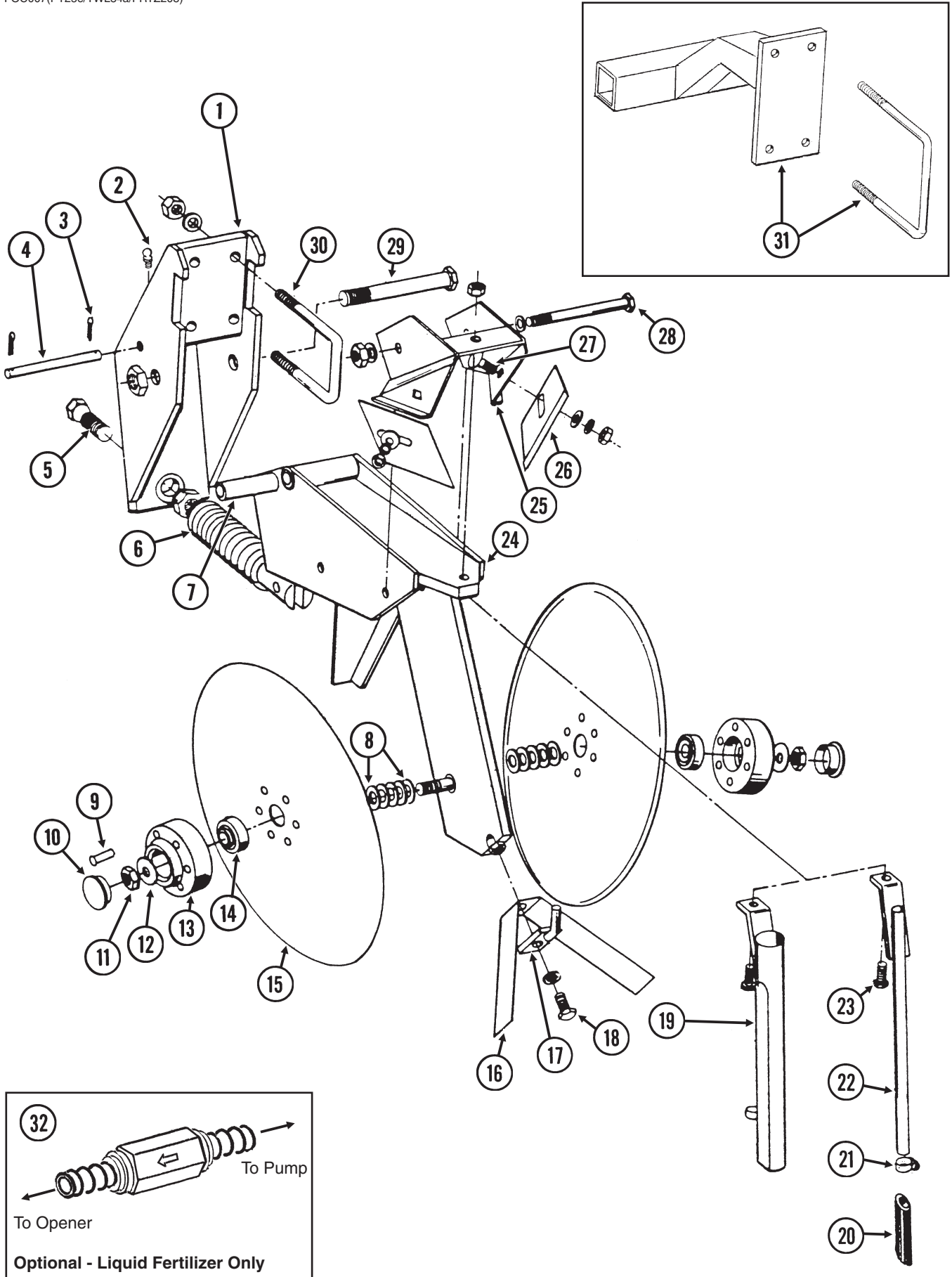
ITEM	PART NO.	QTY.	DESCRIPTION
		(Per Side)	
1.	G10233	-	Machine Bushing, 1", 10 Gauge (As Required)
2.	GD11045	-	Lock Clamp
3.	G10130	-	Square Head Machine Bolt, 5/16"-18 x 1 3/4"
	G10923	-	Flange Nut, 5/16"-18, No Serration
4.	GA2180	-	Hanger Bearing, 7/8" Hex Bore
5.	GD0914-55	1	Hex Shaft, 7/8" x 55" (No Holes), R.H. Side, 8 Row 36"/38"
	GD0914-84	1	Hex Shaft, 7/8" x 84" (No Holes), L.H. Side, 8 Row 36"/38"
	GD0914-48	-	Hex Shaft, 7/8" x 48" (No Holes), R.H. Side, 12 Row 30" And 16 Row 30"
	GD0914-66	-	Hex Shaft, 7/8" x 66" (No Holes), L.H. Side, 12 Row 30" And 16 Row 30"
6.	GD0914-49	1	Hex Shaft, 7/8" x 49" (No Holes), Both Sides, 8 Row 36"/38"
	GD0914-90	-	Hex Shaft, 7/8" x 90" (No Holes), Both Sides, 12 Row 30"
	GD0914-124	-	Hex Shaft, 7/8" x 124" (No Holes), R.H. Side, 16 Row 30"
	GD0914-138	-	Hex Shaft, 7/8" x 138" (No Holes), L.H. Side, 16 Row 30"
7.	GD0914-24	-	Hex Shaft, 7/8" x 24" (No Holes), 12 Row 30" W/Even-Row Push Row Unit
	GD0914-33	-	Hex Shaft, 7/8" x 33" (No Holes), 16 Row 30" W/Even-Row Push Row Unit
8.	GA7053	1	U-Joint W/Grease Fitting, Female, 18 1/8" Long, 8 Row 36"/38" And 12 Row 36"/38"
	GA7052	-	U-Joint W/Grease Fitting, Female, 10 1/4" Long, 12 Row 30" And 16 Row 30"
	GR1557	-	Grease Fitting, 45°, Metric
	GR1297	-	Inboard Yoke And Outer Profile (10 1/4" U-Joint)
	GR1298	-	Inboard Yoke And Outer Profile (18 1/8" U-Joint)
	GR1294	-	Cross And Bearing Kit
	GR1293	-	Yoke, 7/8" Hex

INTERPLANT® PUSH ROW UNIT DRIVE

ITEM	PART NO.	QTY. (Per Side)	DESCRIPTION
9.	G10004	-	Hex Head Cap Screw, 3/8"-16 x 1 1/4"
	G10210	-	Washer, 3/8" USS
	G10229	-	Lock Washer, 3/8"
	G10101	-	Hex Nut, 3/8"-16
10.	G10496	2	External Inverted Snap Ring, 1 1/2"
11.	G10968	1	Spring Pin, 5/32" x 7/16"
12.	GR1405	1	Lock Collar
13.	GR1413	1	Spring
14.	GR1407	1	Drive Shaft
15.	GR1411	1	Shim
16.	GR1406	1	Bushing
17.	GR1412	1	Sprocket, 19 Tooth
18.	G10535	1	Hex Socket Set Screw, 3/8"-16 x 3/4"
19.	GR1410	1	Pin
20.	GR1409	1	Knurled Collar
21.	GR1408	1	Compression Spring
22.	GD8306	2	U-Bolt, 7" x 5" x 1/2"-13
	G10228	4	Lock Washer, 1/2"
	G10102	4	Hex Nut, 1/2"-13
23.	GD18094	2	Plate (Shown)
	GD18066	-	Plate
24.	G3310-226	1	Chain, No. 40, 226 Pitch Including Connector Link
	GR0912	-	Connector Link, No. 40
25.	GD18067	1	Brace
26.	GA7154	4	Sprocket W/Bearing, 18 Tooth
27.	G10016	4	Hex Head Cap Screw, 1/2"-13 x 2"
	G10206	8	Washer, 1/2" SAE
	G10228	4	Lock Washer, 1/2"
	G10102	4	Hex Nut, 1/2"-13
28.	G10016	2	Hex Head Cap Screw, 1/2"-13 x 2"
	G10216	2	Washer, 1/2" USS
	G10228	2	Lock Washer, 1/2"
	G10102	2	Hex Nut, 1/2"-13
29.	GA5107	2	Sprocket, 19 Tooth
30.	GD11972	-	Support Angle, R.H.
31.	GD11973	-	Support Angle, L.H.
32.	GD1113	-	U-Bolt, 5" x 7" x 5/8"-11
	G10230	-	Lock Washer, 5/8"
	G10104	-	Hex Nut, 5/8"-11
33.	GD1719	-	Coupler, 4"
34.	GA7051	1	U-Joint W/Grease Fitting, Male, 12 1/4" Long
	GR1557	-	Grease Fitting, 45°, Metric
	GR1296	-	Inner Profile
	GR1295	-	Inboard Yoke
	GR1301	-	Spring Pin, 8 mm x 50 mm
	GR1294	-	Cross And Bearing Kit
	GR1293	-	Yoke, 7/8" Hex
	G10752	-	Hex Head Cap Screw, 5/8"-18 x 2 1/4"
35.	GD7805	-	Special Washer, 5/8", Hardened
	G10412	-	Lock Nut, 5/8"-18
36.	G10688	-	Square Head Set Screw, 3/8"-16 x 5/8"
A.	GA8092	-	Clutch Sprocket Assembly, 19 Tooth (Items 10-21)
B.	G1K269	-	Lock Clamp Kit (Items 2 And 3)
C.	G1K331	-	Clutch Sprocket Kit (Items 11, 16 And 17)

DOUBLE DISC FERTILIZER OPENER AND MOUNT

FOC007(PT25e/TWL34a/FRTZ208)

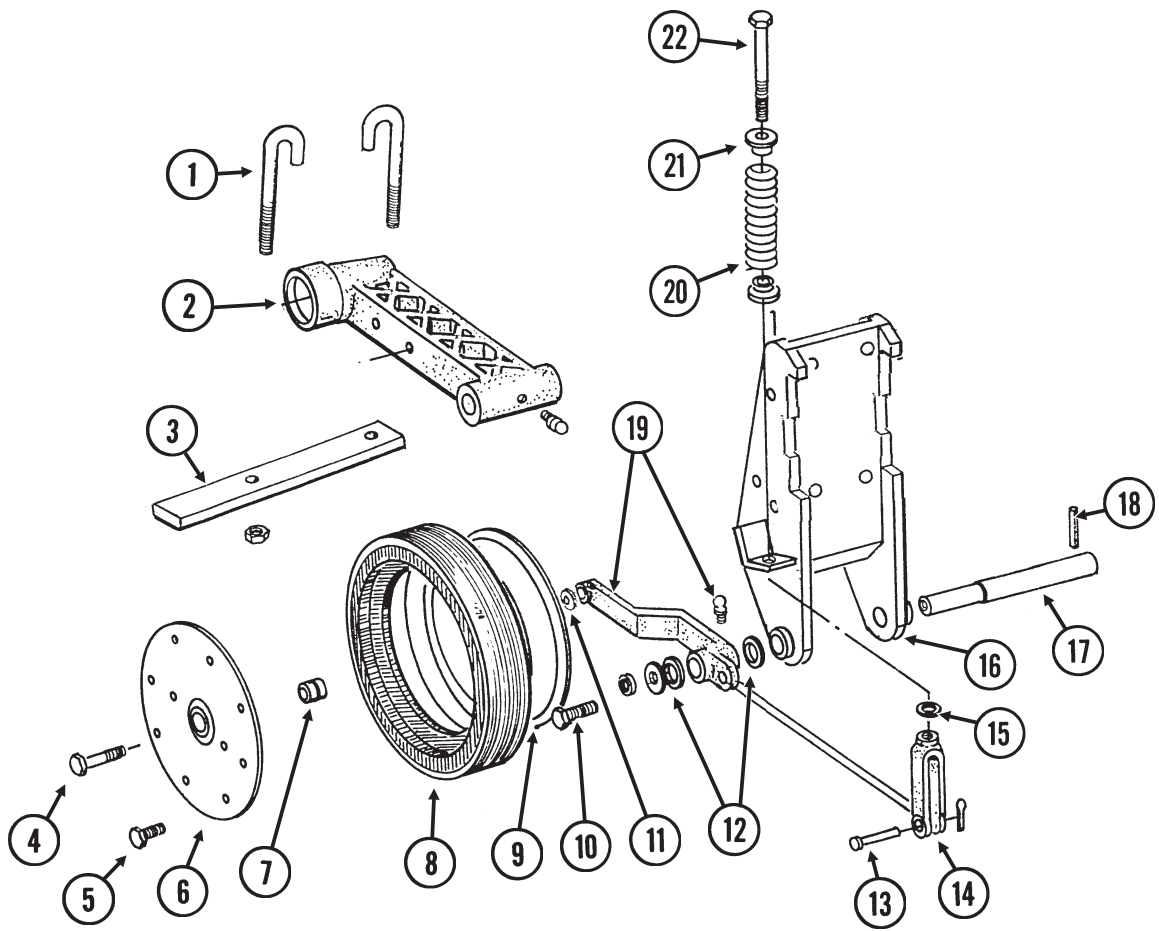


DOUBLE DISC FERTILIZER OPENER AND MOUNT

ITEM	PART NO.	QTY.	DESCRIPTION
		(Per Assy.)	
1.	GA8483	1	Bracket
2.	G10938	1	Grease Fitting, 1/4"-28, Taper Thread
3.	G10451	2	Cotter Pin, 1/8" x 1"
4.	GD1657	1	Lockup Pin
5.	GD0962	1	Hex Head Adjusting Bolt, 5/8"-18 x 3 1/4"
	G10499	1	Hex Jam Nut, 5/8"-18, Grade 2
6.	GA0328	1	Spring
7.	GD0487	1	Bushing, 4 1/64" I.D. x 3 1/2" Long
8.	G10213	-	Machine Bushing, 5/8" (.030" Thick)
9.	G10542	12	Rivet, 1/4" x 1 5/16"
10.	GD1132	2	Dust Cap
11.	G10503	1	Hex Jam Nut, 5/8"-11, Grade 2
	G10504	1	Hex Jam Nut, 5/8"-11, L.H. Threads, Grade 2
12.	G10204	2	Special Machine Bushing, 5/8" x 1" O.D.
13.	GB0134	2	Hub
14.	GA2014	2	Bearing
15.	GD11306	2	Disc Blade, 3.5 mm x 15"
16.	GD2589	1	Inner Scraper
17.	GA0312	1	Mount
18.	G10019	1	Hex Head Cap Screw, 5/16"-18 x 1"
	G10232	1	Lock Washer, 5/16"
19.	GA1369	-	Drop Tube, Dry Fertilizer
20.	GD11705	-	Extension
21.	G10681	-	Hose Clamp, No. 6
22.	GA8685	-	Drop Tube, Liquid Fertilizer
23.	G10133	1	Hex Head Cap Screw, 5/16"-18 x 1 1/2"
	G10221	1	Washer, 5/16" SAE
	G10109	1	Lock Nut, 5/16"-18, Grade 8
24.	GA9195	1	Shank
25.	GA0810	1	Scraper Mount
26.	GD1673	2	Scraper
27.	G10305	2	Carriage Bolt, 3/8"-16 x 1"
	G10210	2	Washer, 3/8" USS
	G10229	2	Lock Washer, 3/8"
	G10101	2	Hex Nut, 3/8"-16
28.	G10045	1	Hex Head Cap Screw, 1/2"-13 x 4 1/2"
	G10111	1	Lock Nut, 1/2"-13
29.	G10046	1	Hex Head Cap Screw, 5/8"-11 x 5"
	G10107	1	Lock Nut, 5/8"-11
30.	GD1138	2	U-Bolt, 2 1/2" x 2 1/2" x 1/2"-13
	G10228	4	Lock Washer, 1/2"
	G10102	4	Hex Nut, 1/2"-13
31.	GA7135	1	Mount W/U-Bolts (One Per Opener)
	GD1113	2	U-Bolt, 5" x 7" x 5/8"-11
	G10230	4	Lock Washer, 5/8"
	G10104	4	Hex Nut, 5/8"-11
32.	GA8983	-	Check Valve, Low Rate
A.	GA8845	-	Disc Blade And Bearing Assembly (Items 9 And 13-15)

HD SINGLE DISC FERTILIZER OPENER (Soil Press Wheel)

(TWL35d/TWL35b)

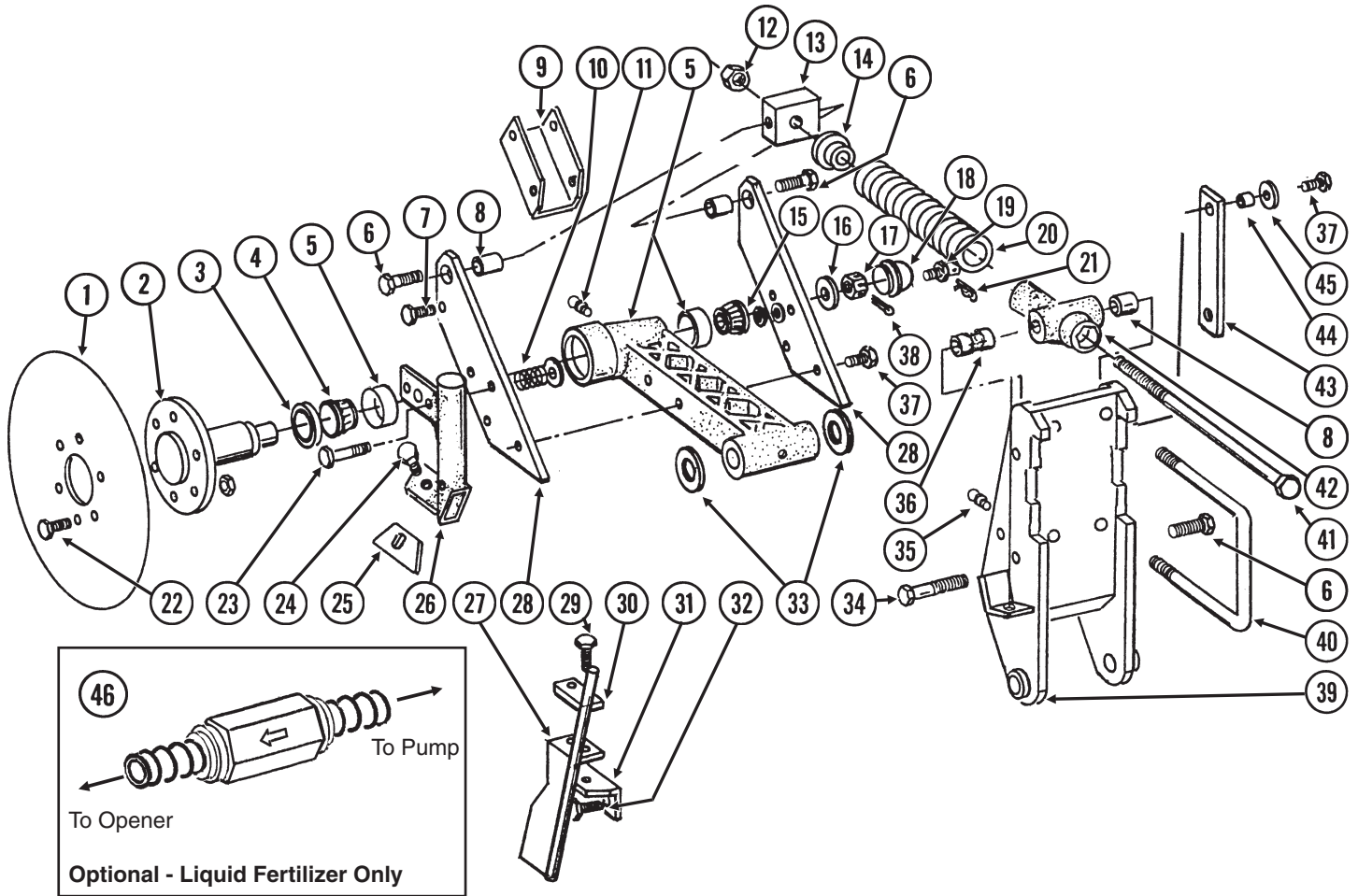


HD SINGLE DISC FERTILIZER OPENER (Soil Press Wheel)

ITEM	PART NO.	QTY.	DESCRIPTION
		(Per Assy.)	
1.	GD9705	2	J-Bolt, 1/2"-13
	G10228	2	Lock Washer, 1/2"
	G10102	2	Hex Nut, 1/2"-13
2.		-	See "HD Single Disc Fertilizer Opener (Blade And Drop Tube)", Pages P132 And P133
3.	GD9706	1	Lockup Bar
4.	G10010	1	Hex Head Cap Screw, 5/8"-11 x 3"
5.	G10961	11	Flanged Whiz Lock Screw, 5/16"-18 x 5/8", No Serration
	G10620	11	Serrated Flange Nut, 5/16"-18
6.	GD11954	1	Half Wheel Cover, Nylon
7.	GA6171	1	Bearing
8.	GD11953	1	Offset Tire
9.	GD11423	1	Half Wheel
10.	G10438	1	Hex Head Cap Screw, 1/2"-13 x 3/4"
	G10228	1	Lock Washer, 1/2"
	G10216	1	Washer, 1/2" USS
11.	G10230	1	Lock Washer, 5/8"
12.	G10526	10	Machine Bushing, 1" (.048" Thick)
13.	G10560	1	Clevis Pin, 1/2" x 1 3/4"
	G10456	1	Cotter Pin, 1/8" x 3/4"
14.	GD8218	1	Yoke
15.	G10205	1	Washer, 5/8" SAE
16.		-	See "HD Single Disc Fertilizer Opener (Blade And Drop Tube)", Pages P132 And P133
17.	GD7911	1	Pivot Pin
18.	G10610	1	Spring Pin, 3/8" x 2"
19.	GA8306	-	Wheel Arm W/Grease Fitting, R.H.
	GA8305	1	Wheel Arm W/Grease Fitting, L.H. (Shown)
	G10640	1	Grease Fitting, 1/4"-28
20.	GD8308	1	Spring
21.	GB0212	2	Spring Washer
22.	GD9709	1	Special Bolt
A.	G1K215	-	Lockup Kit (Items 1 And 3)
B.	GA8877	-	Gauge Wheel Complete (Items 5-9)

HD SINGLE DISC FERTILIZER OPENER (Blade And Drop Tube)

FOC016/FOC007/FOC019(PT27c/FRTZ208)



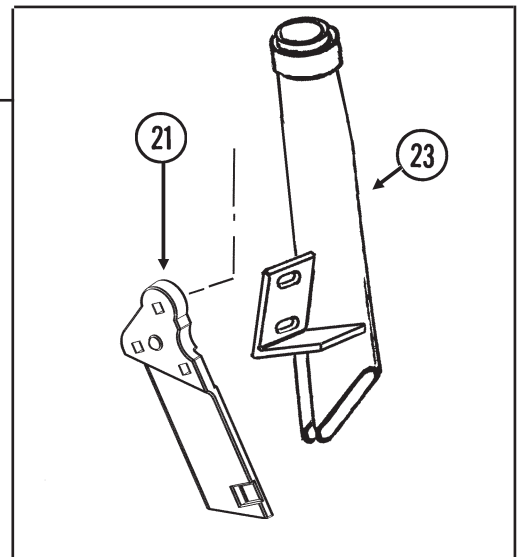
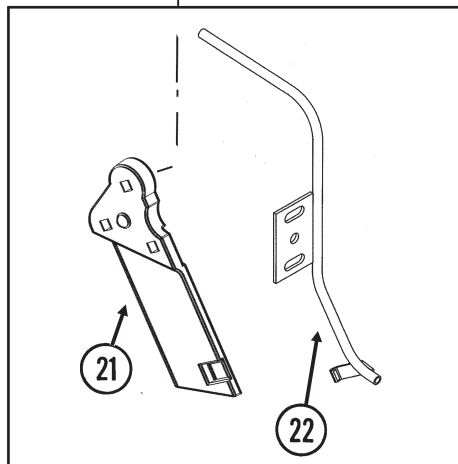
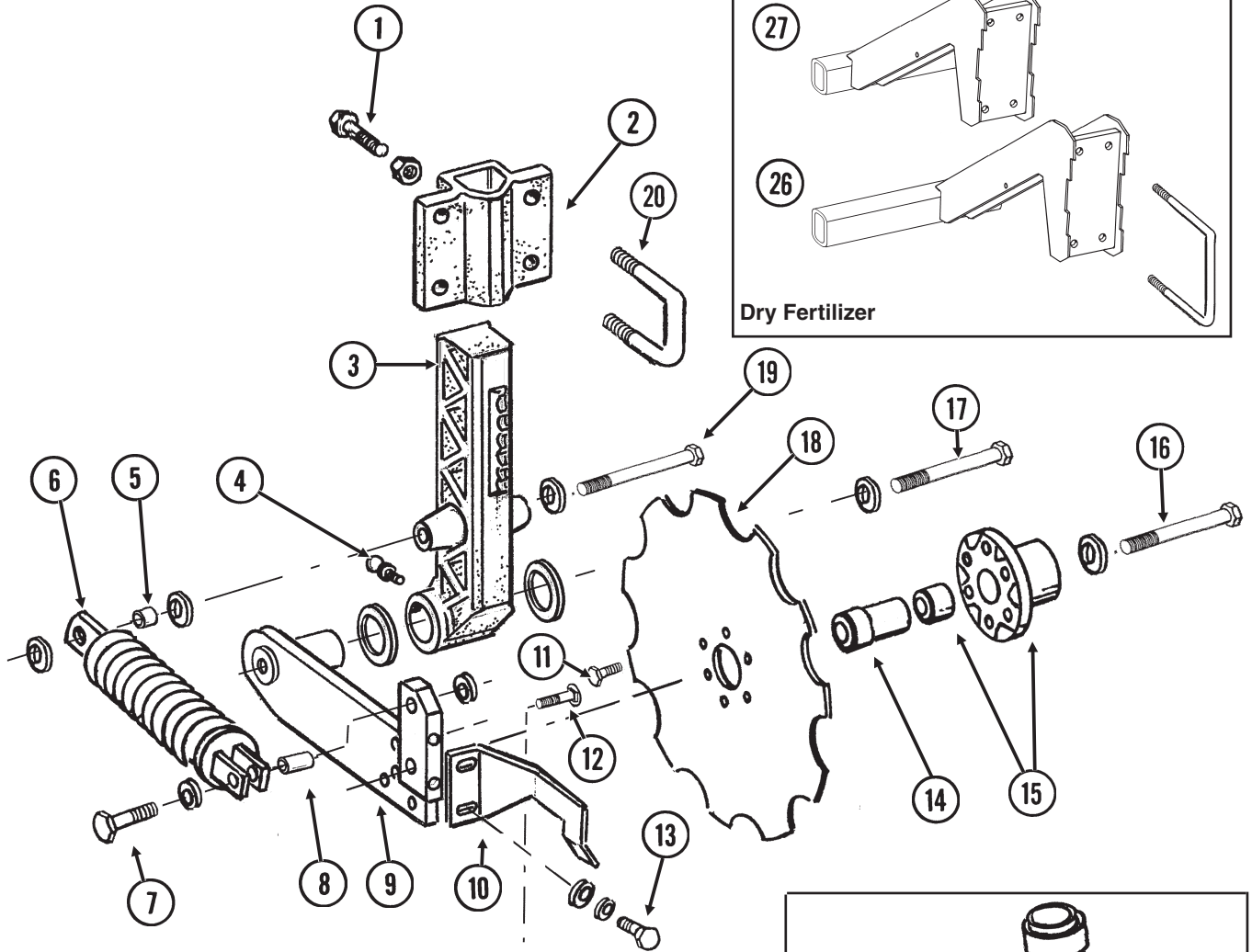
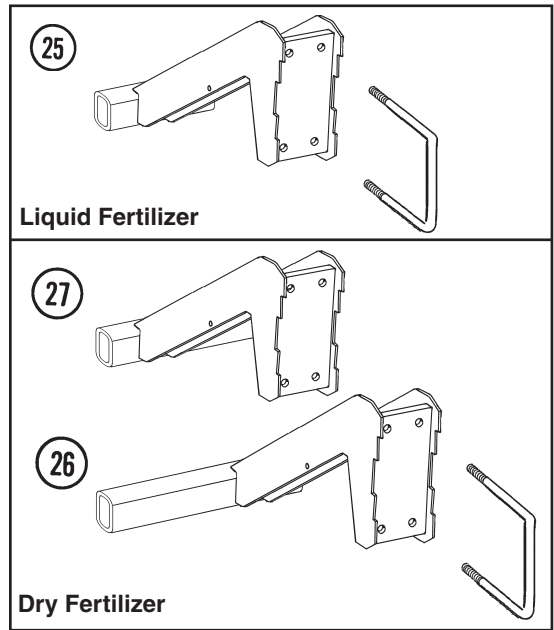
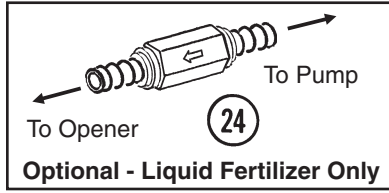
ITEM	PART NO.	QTY.	DESCRIPTION
		(Per Assy.)	
1.	GD7900	1	Disc Blade, 18"
	GD8247	-	Disc Blade, 20" (Optional)
2.	GB0205	1	Spindle
3.	GA4286	1	Seal
4.	GA4287	1	Bearing
5.	GA5887	1	Arm W/Cups And Washers
	GD6553	-	Inner Cup
	GR0188	-	Outer Cup
	G10205	3	Washer, 5/8" SAE
6.	G10007	3	Hex Head Cap Screw, 5/8"-11 x 1 1/2"
7.	G10001	2	Hex Head Cap Screw, 3/8"-16 x 1"
	G10108	2	Lock Nut, 3/8"-16
8.	GB0218	3	Bushing, 2 1/32" I.D. x 7/8" O.D. x 1 19/32" Long
9.	GD8238	1	Channel
10.	GD7962	2	Spring
11.	G10641	2	Grease Fitting, 1/8" NPT
12.	G10105	3	Hex Nut, 3/4"-10
13.	GD7908	1	Tap Block
14.	GB0213	1	Spring Seat
15.	GA0237	1	Bearing
16.	G10220	1	Machine Bushing, 1 1/16", 10 Gauge
17.	G10507	1	Slotted Nut, 1"-14
18.	GD1104	1	Dust Cap

HD SINGLE DISC FERTILIZER OPENER (Blade And Drop Tube)

ITEM	PART NO.	QTY.	DESCRIPTION
(Per Assy.)			
19.	GD8276	1	Pin
	G10237	1	Lock Washer, 7/16"
	G10100	1	Hex Nut, 7/16"-14
20.	GD10273	1	Compression Spring
21.	G10592	1	Hair Pin Clip, No. 11
22.	G10594	6	Bolt, 1/2"-13 x 1 1/2"
	G10111	6	Lock Nut, 1/2"-13
23.	G10049	2	Hex Head Cap Screw, 3/8"-16 x 2 1/2"
	G10210	2	Washer, 3/8" USS
	G10108	2	Lock Nut, 3/8"-16
24.	G10599	1	Carriage Bolt, 3/8"-16 x 1 1/4"
	G10210	1	Washer, 3/8" USS
	G10229	1	Lock Washer, 3/8"
	G10101	1	Hex Nut, 3/8"-16
25.	GD7912	1	Scraper
26.	GB0210	-	Drop Tube, R.H., Dry Fertilizer
	GB0209	1	Drop Tube, L.H., Dry Fertilizer (Shown)
27.	GA8689	1	Drop Tube, L.H., Liquid Fertilizer (Shown)
	GA8688	-	Drop Tube, R.H., Liquid Fertilizer
28.	GD8224	2	Bar
29.	G10004	2	Hex Head Cap Screw, 3/8"-16 x 1 1/4"
	G10229	2	Lock Washer, 3/8"
30.	GD10487	1	Clamp
31.	GD10304	-	Angle, R.H.
	GD10303	1	Angle, L.H. (Shown)
32.	G10016	2	Hex Head Cap Screw, 1/2"-13 x 2"
	G10111	2	Lock Nut, 1/2"-13
33.	G10322	-	Machine Bushing, 1 1/4", 18 Gauge (As Required)
34.	G10862	1	Hex Head Cap Screw, 5/8"-11 x 3 1/4"
	G10205	2	Washer, 5/8" SAE
	G10230	1	Lock Washer, 5/8"
35.	G10640	1	Grease Fitting, 1/4"-28
36.	GD10242	1	Bushing, 2 1/4"
37.	G10039	5	Hex Head Cap Screw, 1/2"-13 x 1 3/4"
	G10111	5	Lock Nut, 1/2"-13
38.	G10459	1	Cotter Pin, 3/16" x 1 1/2"
39.	GA7240	-	Opener Mount, R.H.
	GA7239	1	Opener Mount, L.H. (Shown)
40.	GD1113	2	U-Bolt, 5" x 7" x 5/8"-11
	G10230	4	Lock Washer, 5/8"
	G10104	4	Hex Nut, 5/8"-11
41.	GD7907	1	Special Bolt
42.	GB0206	1	Rod Guide
43.	GD8239	1	Storage Strap
44.	GD7904-02	1	Sleeve, 1/2" x 1/2" Long
45.	G10216	3	Washer, 1/2" USS
46.	GA8983	-	Check Valve, Low Rate

NOTCHED SINGLE DISC FERTILIZER OPENER

(FRTZ208/B0405/TWL34e/TWL34g/FRTZ268/A12108)

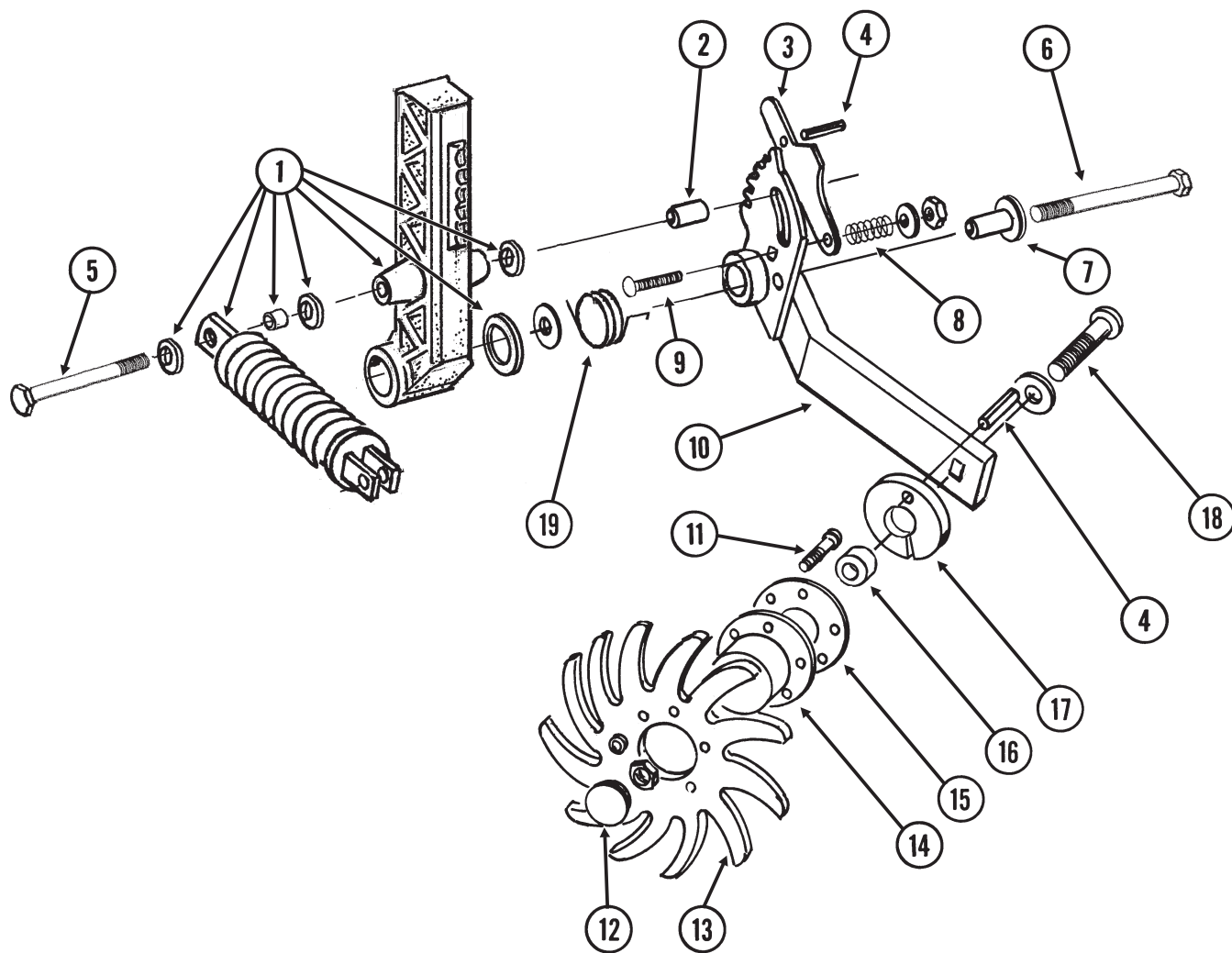


NOTCHED SINGLE DISC FERTILIZER OPENER

ITEM	PART NO.	QTY.	DESCRIPTION
		(Per Assy.)	
1.	G10017	3	Hex Head Cap Screw, 1/2"-13 x 1 1/2"
	G10102	3	Hex Nut, 1/2"-13
2.	GB0405	1	Mount, L.H.
	GB0400	-	Mount, R.H. (Shown)
3.	GB0296	1	Arm, 13 1/2"
4.	G10640	1	Grease Fitting, 1/4"-28
5.	GD12685	1	Bushing, 3/4" O.D. x 1/2" Long
6.	GA6966	1	Compression Spring Assembly
7.	G10047	1	Hex Head Cap Screw, 3/8"-16 x 1 3/4"
	G10210	2	Washer, 3/8" USS
	G10108	1	Lock Nut, 3/8"-16
8.	GD1026	1	Sleeve, 1 3/16" Long
9.	GA9433	1	Pivot Arm, L.H.
	GA9434	-	Pivot Arm, R.H. (Shown)
10.	GD11557	1	Scraper, L.H.
	GD11558	-	Scraper, R.H. (Shown)
11.	G10002	6	Hex Head Cap Screw, 3/8"-16 x 3/4"
12.	G10306	3	Carriage Bolt, 3/8"-16 x 2"
	G10108	3	Lock Nut, 3/8"-16
13.	G10991	2	Hex Head Cap Screw, 5/16"-18 x 7/8"
	G10232	2	Lock Washer, 5/16"
	G10219	6	Washer, 5/16" USS
14.	GD12679	1	Stepped Spacer, 3" Long
15.	GA9437	1	Hub W/Bearing
	GA8603	-	Bearing, Double Row
16.	G10011	1	Hex Head Cap Screw, 5/8"-11 x 5 1/2"
	GD12677	1	Washer, 1 1/2" O.D., 7 Gauge, Hardened
	G10107	1	Lock Nut, 5/8"-11
17.	G10046	1	Hex Head Cap Screw, 5/8"-11 x 5"
	G10217	1	Washer, 5/8" USS
	G10450	2	Machine Bushing, 1 1/2", 18 Gauge (As Required)
	G10107	1	Lock Nut, 5/8"-11
18.	GD12676	1	Disc Blade, Notched, 16 3/4"
19.	G10871	1	Hex Head Cap Screw, 1/2"-13 x 6"
	G10206	3	Washer, 1/2" SAE
	G10111	1	Lock Nut, 1/2"-13
20.	GD13287	2	U-Bolt, 1 1/2" x 2 1/2" x 1/2"-13
	G10228	4	Lock Washer, 1/2"
	G10102	4	Hex Nut, 1/2"-13
21.	GB0323	1	Knife, L.H.
	GB0322	-	Knife, R.H. (Shown)
22.	GA12108	1	Drop Tube, Liquid Fertilizer (Shown)
	GA12109	-	Drop Tube, Liquid Fertilizer
23.	GA10047	-	Drop Tube, L.H., Dry Fertilizer
	GA10048	1	Drop Tube, R.H., Dry Fertilizer (Shown)
24.	GA8983	-	Check Valve, Low Rate
25.	GA9565	1	Mount W/U-Bolts, Liquid Fertilizer
	GD1113	2	U-Bolt, 5" x 7" x 5/8"-11
	G10230	4	Lock Washer, 5/8"
	G10104	4	Hex Nut, 5/8"-11
26.	GA9821	-	Mount W/U-Bolts, L.H., Dry Fertilizer
	GD1113	2	U-Bolt, 5" x 7" x 5/8"-11
	G10230	4	Lock Washer, 5/8"
	G10104	4	Hex Nut, 5/8"-11
27.	GA9822	-	Mount W/U-Bolts, R.H., Dry Fertilizer
	GD1113	2	U-Bolt, 5" x 7" x 5/8"-11
	G10230	4	Lock Washer, 5/8"
	G10104	4	Hex Nut, 5/8"-11

RESIDUE WHEEL ATTACHMENT FOR NOTCHED SINGLE DISC FERTILIZER OPENER

DFC024(FRTZ165)

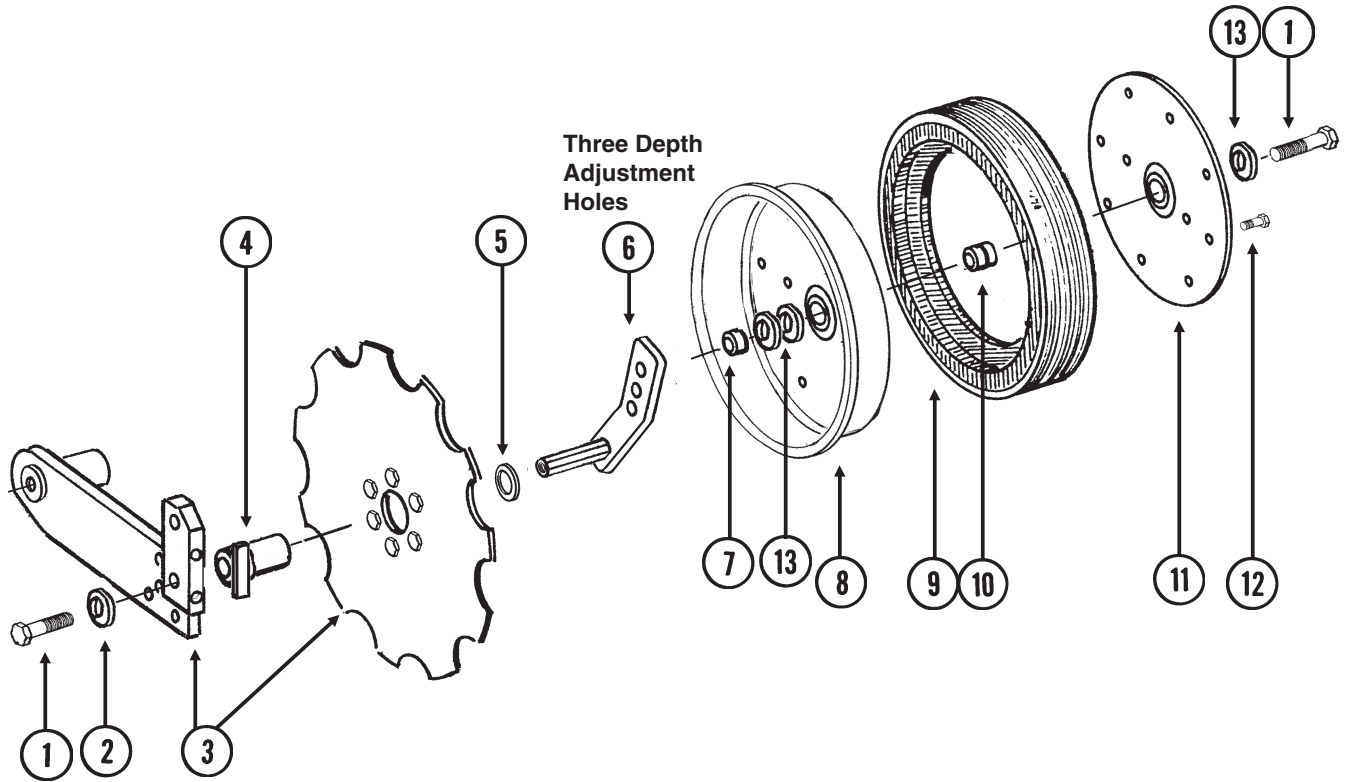


RESIDUE WHEEL ATTACHMENT FOR NOTCHED SINGLE DISC FERTILIZER OPENER

ITEM	PART NO.	QTY. (Per Assy.)	DESCRIPTION
1.		-	See "Notched Single Disc Fertilizer Opener", Pages P134 And P135
2.	GD12684	1	Bushing, 1 1/3" Long
3.	GD11178	1	Adjustment Lever
4.	G10603	2	Spring Pin, 1/4" x 1 1/4"
5.	G11034	1	Hex Head Cap Screw, 1/2"-13 x 7"
	G10111	1	Lock Nut, 1/2"-13
6.	G10830	1	Hex Head Cap Screw, 5/8"-11 x 7 1/2"
	GD7805	1	Special Washer, 5/8", Hardened
	G10107	1	Lock Nut, 5/8"-11
7.	GD11836	1	Sleeve, 2 1/8" Long
8.	GD7962	1	Spring
9.	G10306	1	Carriage Bolt, 3/8"-16 x 2"
	G10203	1	Washer, 3/8" SAE
	G10108	1	Lock Nut, 3/8"-16
10.	GA7999	1	Mount W/Grease Fitting, L.H. (Shown)
	GA7998	-	Mount W/Grease Fitting, R.H.
	G10640	-	Grease Fitting, 1/4"-28
11.	G10133	6	Hex Head Cap Screw, 5/16"-18 x 1 1/2"
	G10109	6	Lock Nut, 5/16"-18, Grade 8
12.	GD1132	2	Dust Cap
13.	GD10552	2	Wheel, 12 Tine, 3/8" x 12"
14.	GA5654	1	Hub W/Bearings
	GA2014	-	Bearing
15.	GD9724	1	Backing Plate
16.	GD7817-04	1	Spacer, 1 1/16" I.D. x 1/2" Long
17.	GD11188	1	Spacer
18.	G10908	1	Carriage Bolt, 5/8"-11 x 3"
	G10503	1	Hex Jam Nut, 5/8"-11, Grade 2
19.	GD11265	1	Spring, L.H. (Shown)
	GD11266	-	Spring, R.H.
A.	GA7445	-	Wheel Assembly, 12 Tine, L.H. (Items 11 And 13-15)(Shown)
	GA7446	-	Wheel Assembly, 12 Tine, R.H. (Items 11 And 13-15)

DEPTH/GAUGE WHEEL ATTACHMENT FOR NOTCHED SINGLE DISC FERTILIZER OPENER

(FRTZ256)

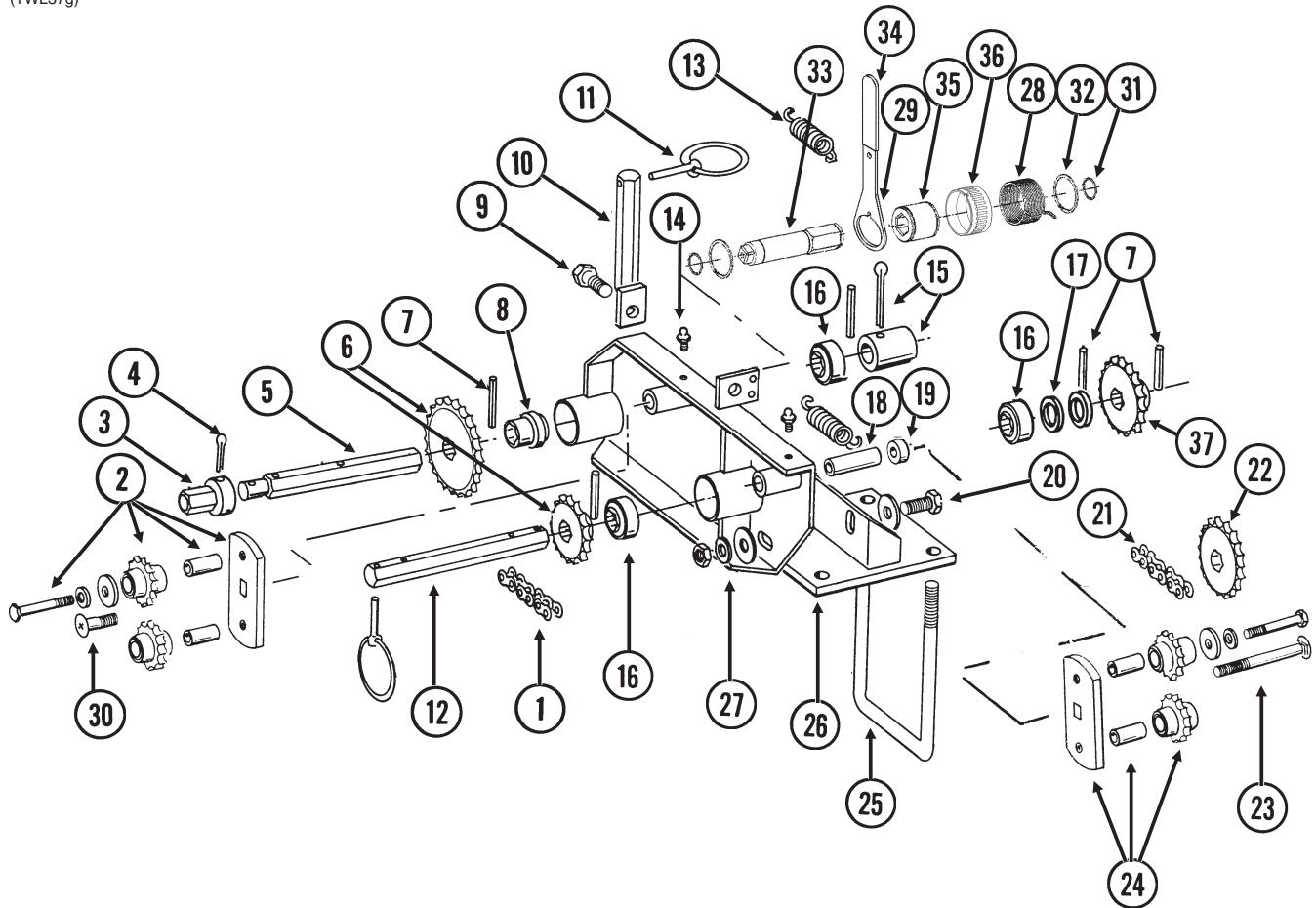


DEPTH/GAUGE WHEEL ATTACHMENT FOR NOTCHED SINGLE DISC FERTILIZER OPENER

ITEM	PART NO.	QTY.	DESCRIPTION
		(Per Assy.)	
1.	G10010	2	Hex Head Cap Screw, 5/8"-11 x 3"
2.	GD7805	1	Special Washer, 5/8", Hardened
3.		-	See "Notched Single Disc Fertilizer Opener", Pages P130 And P131
4.	GA9472	1	Blade Mount
5.	G10233	1	Machine Bushing, 1", 10 Gauge
6.	GA10037	1	Wheel Mount, L.H. (Shown)
	GA10036	1	Wheel Mount, R.H.
7.	GD13309	1	Spacer
8.	GD11423	1	Half Wheel
9.	GD11953	1	Offset Tire
10.	GA6171	1	Bearing
11.	GD11954	1	Half Wheel Cover, Nylon
12.	G10961	11	Flanged Whiz Lock Screw, 5/16"-18 x 3/4", No Serration
	G10620	11	Serrated Flange Nut, 5/16"-18
13.	G10204	-	Special Machine Bushing, 5/8" x 1" O.D. (As Required)
A.	GA8877	-	Gauge Wheel Complete (Items 8-12)

DRY FERTILIZER DRIVE

(TWL37g)



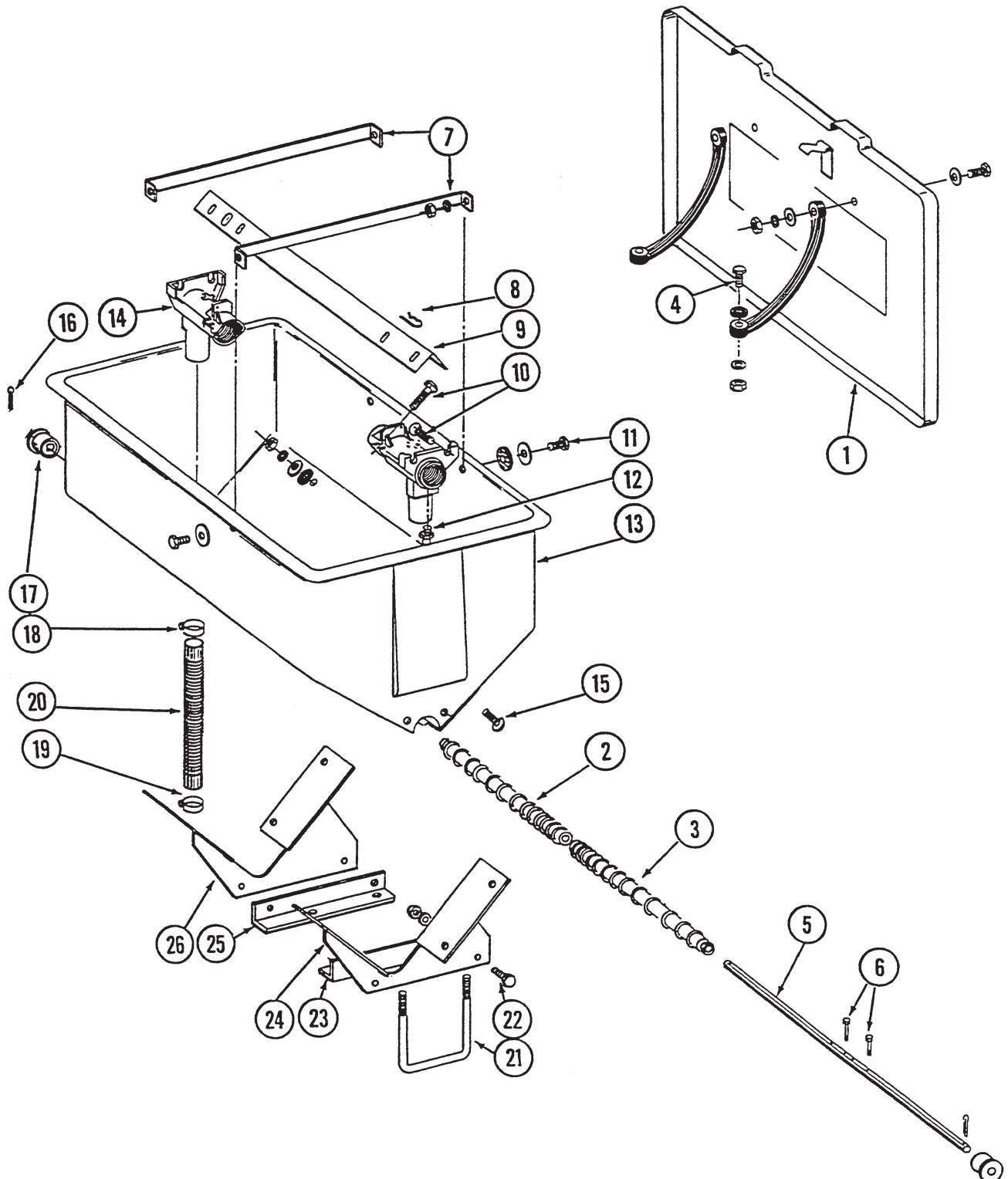
ITEM	PART NO.	QTY.	DESCRIPTION
		(Per Side)	
1.	G3310-88	1	Chain, No. 40, 88 Pitch Including Connector Link
	GR0912	-	Connector Link, No. 40
2.	GA7336	1	Idler W/Bolt-On Sprockets
	GD7426	-	Sprocket, 12 Tooth
	GD1026	-	Sleeve, 1 3/16" Long
	G10210	-	Washer, 3/8" USS
	G10229	-	Lock Washer, 3/8"
	G10047	-	Hex Head Cap Screw, 3/8"-16 x 1 3/4"
3.	GD7127	1	Shear Coupler
4.	G10462	1	Cotter Pin, 3/16" x 2"
5.	GD7866	1	Shaft, 7/8" x 7 1/2"
6.	GA5105	1	Sprocket, 15 Tooth
	GA5107	1	Sprocket, 19 Tooth
	GA5114	1	Sprocket, 30 Tooth
	GA5115	1	Sprocket, 33 Tooth
	GA6337	1	Sprocket, 35 Tooth
7.	G10602	6	Spring Pin, 1/4" x 1 1/2"
8.	GA5624	1	Special Bearing, 7/8" Hex Bore x 1.6"
9.	G10037	1	Hex Head Cap Screw, 1/2"-13 x 1 1/4"
	G10111	1	Lock Nut, 1/2"-13

DRY FERTILIZER DRIVE

ITEM	PART NO.	QTY. (Per Side)	DESCRIPTION
10.	GA5229	1	Sprocket Storage Rod
11.	GD2558	3	Lynch Pin, 1/4"
12.	GD10119	1	Shaft, 7/8" x 7 7/16"
13.	GD5857	2	Spring
14.	G10640	2	Grease Fitting, 1/4"-28
15.		-	See "Dry Fertilizer Couplers/Shafts", Pages P144 And P145
16.	GA5116	3	Bearing, 7/8" Hex Bore, Cylindrical
17.	G10233	2	Machine Bushing, 1", 10 Gauge
18.	GD3180-10	1	Sleeve, 5/8" I.D. x 7/8" O.D. x 3 1/4" Long
19.	GD2734-08	1	Sleeve, 1 1/4" O.D. x 5/8" Long
20.	G10017	2	Hex Head Cap Screw, 1/2"-13 x 1 1/2"
	G10206	4	Washer, 1/2" SAE
	G10228	2	Lock Washer, 1/2"
	G10102	2	Hex Nut, 1/2"-13
21.	G3310-130	1	Chain, No. 40, 130 Pitch Including Connector Link
	GR0912	-	Connector Link, No. 40
22.	GA5114	1	Sprocket, 30 Tooth
23.	G10419	1	Carriage Bolt, 1/2"-13 x 4 1/2"
	G10206	1	Washer, 1/2" SAE
	G10111	1	Lock Nut, 1/2"-13
24.	GA7396	1	Idler W/Bolt-On Sprockets
	GD7426	-	Sprocket, 12 Tooth
	GD1026	-	Sleeve, 1 3/16" Long
	G10210	-	Washer, 3/8" USS
	G10229	-	Lock Washer, 3/8"
	G10047	-	Hex Head Cap Screw, 3/8"-16 x 1 3/4"
	G10049	-	Hex Head Cap Screw, 3/8"-16 x 2 1/2"
	G10108	-	Lock Nut, 3/8"-16
25.	GD1134	2	U-Bolt, 7" x 5" x 5/8"-11
	G10230	4	Lock Washer, 5/8"
	G10104	4	Hex Nut, 5/8"-11
26.	GA7129	1	Mount, L.H. (Shown)
	GA7130	-	Mount, R.H.
27.	GA5671	1	Transmission Plate, L.H. (Shown)
	GA5672	-	Transmission Plate, R.H.
28.	GD14413	-	Torsion Spring, L.H. (Used In R.H. Wrap Spring Wrench) (Shown)
	GD14414	1	Torsion Spring, R.H. (Used In L.H. Wrap Spring Wrench)
29.	GD14431	1	Handle
30.	G11100	1	Hex Socket Button Head Cap Screw, 1/4"-20 x 1/2", Grade 8
	G10227	1	Lock Washer, 1/4"
	G10209	1	Washer, 1/4" USS
31.	G11075	2	External Inverted Snap Ring, 7/8"
32.	G10496	2	External Inverted Snap Ring, 1 1/2"
33.	GD14427	1	Tightener Shaft, 4 7/8"
34.	G11078	1	Vinyl Cap
35.	GD14432	1	Sleeve, 1 1/4"
36.	GD19343	1	Release Collar, Blue, R.H. (Shown)
	GD19344	-	Release Collar, Gray, L.H.
37.	GA12192	1	Sprocket, 22 Tooth
A.	G1K378	1	Wrap Spring Wrench Replacement Kit, Blue Collar, R.H. (Items 28-36) (Shown)
	G1K379	-	Wrap Spring Wrench Replacement Kit, Gray Collar, L.H. (Items 28-36)

DRY FERTILIZER HOPPER AND MOUNTS

DFC009/DFC018(TWL36)

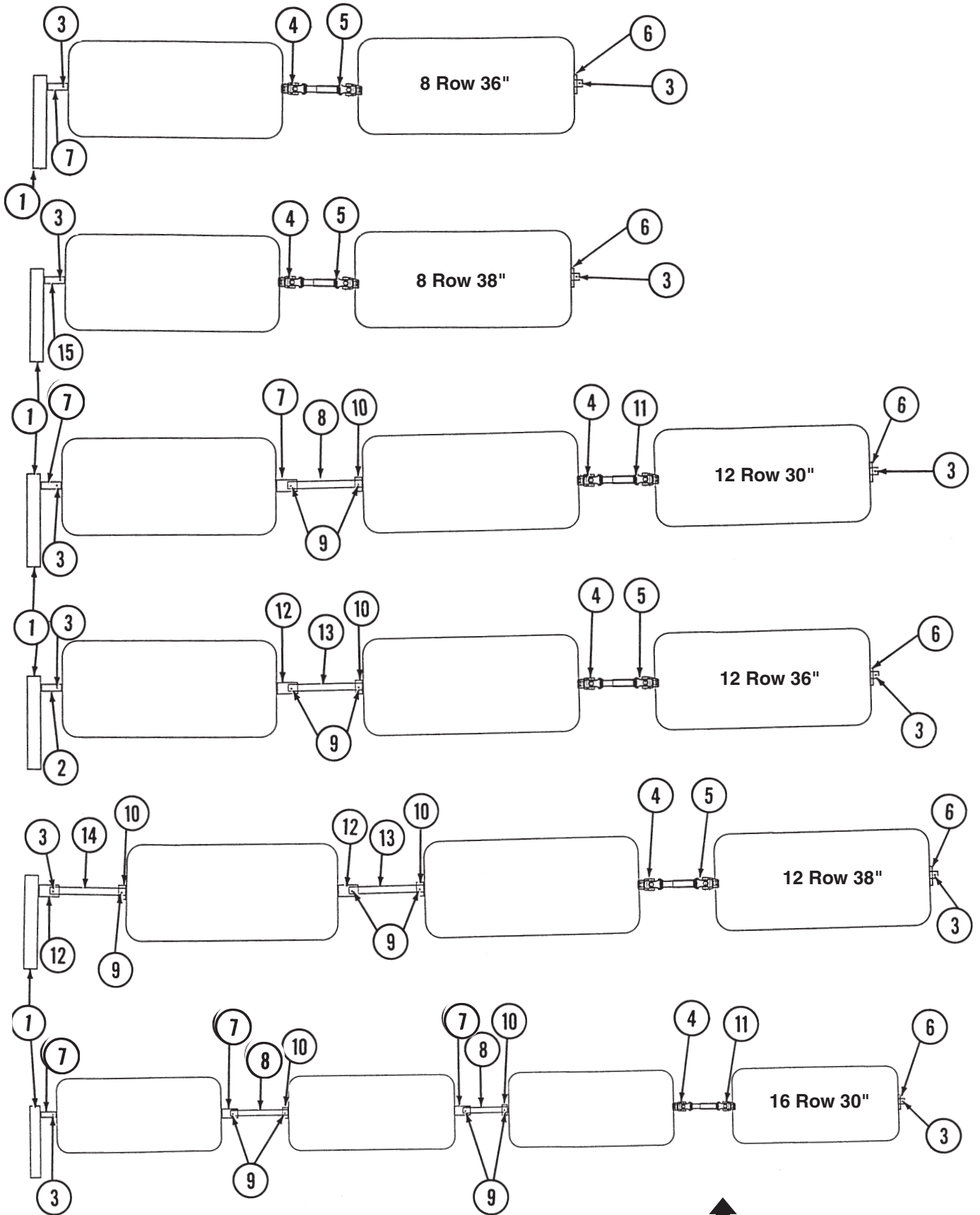


DRY FERTILIZER HOPPER AND MOUNTS

ITEM	PART NO.	QTY.	DESCRIPTION
		(Per Hopper)	
1.	GA0898	1	Lid W/Retainers, Clips, Rivets, Rubber Straps And Hardware
	GD1380	-	Front Clip
	GD2412	-	Rear Retainer
	G10655	-	Rivet, 3/16" x 1 3/32"
	GD1210	-	Rubber Strap
	G10171	-	Hex Head Cap Screw, 5/16"-18 x 1 1/4"
	G10219	-	Washer, 5/16" USS
	G10232	-	Lock Washer, 5/16"
	G10106	-	Hex Nut, 5/16"-18
2.	GB0198	1	Auger, R.H.
3.	GB0199	1	Auger, L.H.
4.	G10133	2	Hex Head Cap Screw, 5/16"-18 x 1 1/2"
	G10219	2	Washer, 5/16" USS
	G10232	2	Lock Washer, 5/16"
	G10106	2	Hex Nut, 5/16"-18
5.	GD7848	1	Shaft
6.	G10587	2	Hex Head Cap Screw, 1/4"-20 x 2", Stainless Steel
	G10588	2	Hex Nut, 1/4"-20, Stainless Steel
7.	GD1209	2	Strap
8.	G10670	2	Hair Pin Clip, No. 3
9.	GD1207	1	Baffle
10.	G10303	8	Carriage Bolt, 5/16"-18 x 1"
	G10219	8	Washer, 5/16" USS
	G10232	8	Lock Washer, 5/16"
	G10106	8	Hex Nut, 5/16"-18
11.	G10171	4	Hex Head Cap Screw, 5/16"-18 x 1 1/4"
	G10201	4	Special Washer, 3/8" x 1 1/2" O.D.
	GD1213	4	Rubber Washer
	G10232	4	Lock Washer, 5/16"
	G10106	4	Hex Nut, 5/16"-18
12.	G10641	2	Grease Fitting, 1/8" NPT
13.	GD1379	1	Hopper
14.	GD1200	2	Outlet Housing
15.	G10303	8	Carriage Bolt, 5/16"-18 x 1"
	G10171	-	Hex Head Cap Screw, 5/16"-18 x 1 1/4" (If Applicable)
	G10219	-	Washer, 5/16" USS (If Applicable)
	G10201	8	Special Washer, 3/8" x 1 1/2" O.D.
	GD1213	8	Rubber Washer
	G10232	8	Lock Washer, 5/16"
	G10106	8	Hex Nut, 5/16"-18
16.	G10460	2	Cotter Pin, 1/4" x 2"
17.	GB0200	2	Bearing
18.	G10676	2	Hose Clamp, No. 36, Stainless Steel
19.	G10672	2	Hose Clamp, No. 28
20.	GD3790	2	Rubber Tube
21.	GD1134	2	U-Bolt, 7" x 5" x 5/8"-11
	G10230	4	Lock Washer, 5/8"
	G10104	4	Hex Nut, 5/8"-11
22.	G10017	4	Hex Head Cap Screw, 1/2"-13 x 1 1/2"
	G10228	4	Lock Washer, 1/2"
	G10102	4	Hex Nut, 1/2"-13
23.	GD9131	1	Angle, L.H.
24.	GA6437	1	Mount, L.H.
25.	GD9132	1	Angle, R.H.
26.	GA6436	1	Mount, R.H.
27.	GD8722	-	Holder, Rubber Tube (As Required)
A.	GA6503	-	Hopper Sub-Assembly (Items 8, 10 And 12-15)
B.	GA5667	-	Hopper Hardware Box (Items 2-7, 9, 11, 16 And 17)

DRY FERTILIZER COUPLERS/SHAFTS

RH100594(TWL38a)



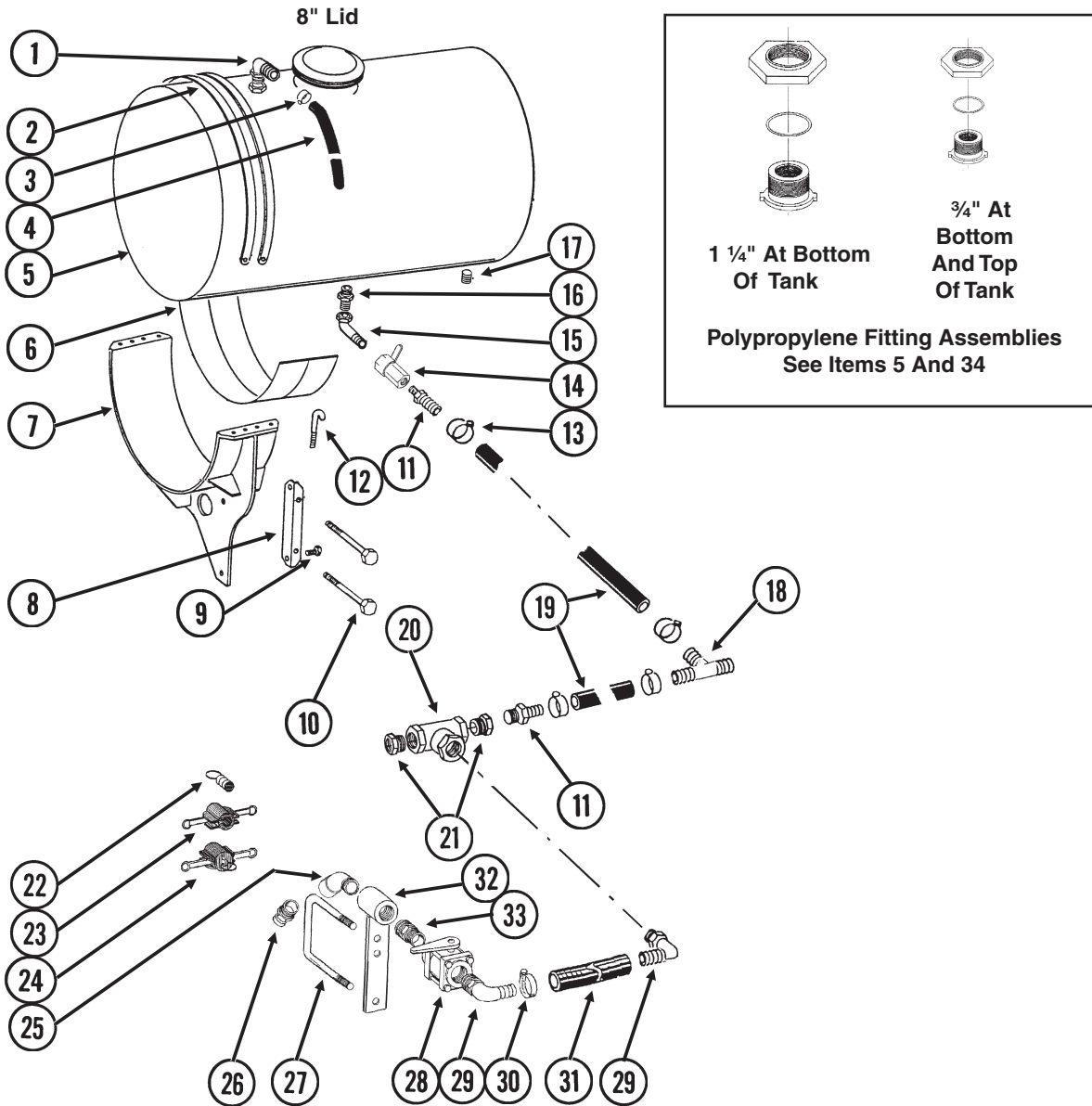
L.H. Side Of Machine Shown

DRY FERTILIZER COUPLERS/SHAFTS

ITEM	PART NO.	QTY.	DESCRIPTION
1.		-	See "Dry Fertilizer Drive", Pages P140 And P141
2.	GD10109	-	Coupler, 6"
3.	G10460	-	Cotter Pin, 1/4" x 2"
4.	GA7051	-	U-Joint W/Grease Fitting, Male, 12 1/4" Long
	GR1293	-	Yoke, 7/8" Hex
	GR1294	-	Cross And Bearing Kit
	GR1295	-	Inboard Yoke
	GR1296	-	Inner Profile
	GR1557	-	Grease Fitting, 45°, Metric
	GR1301	-	Spring Pin, 8 mm x 50 mm
5.	GA7146	-	U-Joint W/Grease Fitting, Female, 22 1/16" Long
	GR1293	-	Yoke, 7/8" Hex
	GR1294	-	Cross And Bearing Kit
	GR1299	-	Inboard Yoke And Outer Profile
	GR1557	-	Grease Fitting, 45°, Metric
6.	G10233	-	Machine Bushing, 1", 10 Gauge
7.	GD7867	-	Coupler, 3"
8.	GD2548-15.5	-	Hex Shaft, 7/8" x 15 1/2" (1 Hole)
9.	G10602	-	Spring Pin, 1/4" x 1 1/2"
10.	GD5886	-	Coupler, 1 3/4"
11.	GA7052	-	U-Joint W/Grease Fitting, Female, 10 1/4" Long
	GR1293	-	Yoke, 7/8" Hex
	GR1294	-	Cross And Bearing Kit
	GR1297	-	Inboard Yoke And Outer Profile
	GR1557	-	Grease Fitting, 45°, Metric
12.	GD10126	-	Coupler, 4"
13.	GD2548-24.5	-	Hex Shaft, 7/8" x 24 1/2" (1 Hole)
14.	GD2548-13.5	-	Hex Shaft, 7/8" x 13 1/2" (1 Hole)
15.	GD10773	-	Coupler, 10 3/4"
16.	G10688	-	Square Head Set Screw, 3/8"-16 x 5/8"

LIQUID FERTILIZER TANKS, SADDLES, SADDLE MOUNTS AND HOSES

LFC021/LFC023/LFC030/LFC012(FRTZ201g)



ITEM	PART NO.	QTY.	DESCRIPTION
1.	G10917	2	Elbow, 90°, 3/4" NPT To Barb
2.	GD1520	-	Band, 30" (4 Per Tank)
3.	G10278	2	Hose Clamp, No. 16
4.	G4205-11	-	Hose, 3/4" x 72" (One Per Tank)
5.	GA9905	-	Tank W/Lid And Fittings, 30" x 150 Gallon, 8 Row Sizes (Qty. 2), 12/16 Row Sizes (Qty. 4)
	GR1678	-	Lid W/Vent, 8" (Top Of Tank)
	GR0513	-	3/4" Polypropylene Fitting Assembly (Overflow Fitting, Nut, Bushing And O-Ring) (Top And Bottom Of Tank)
	GR1397	-	Overflow Fitting
	GR0508	-	1 1/4" Polypropylene Fitting Assembly (Nut, Bushing And O-Ring) (Bottom Of Tank)

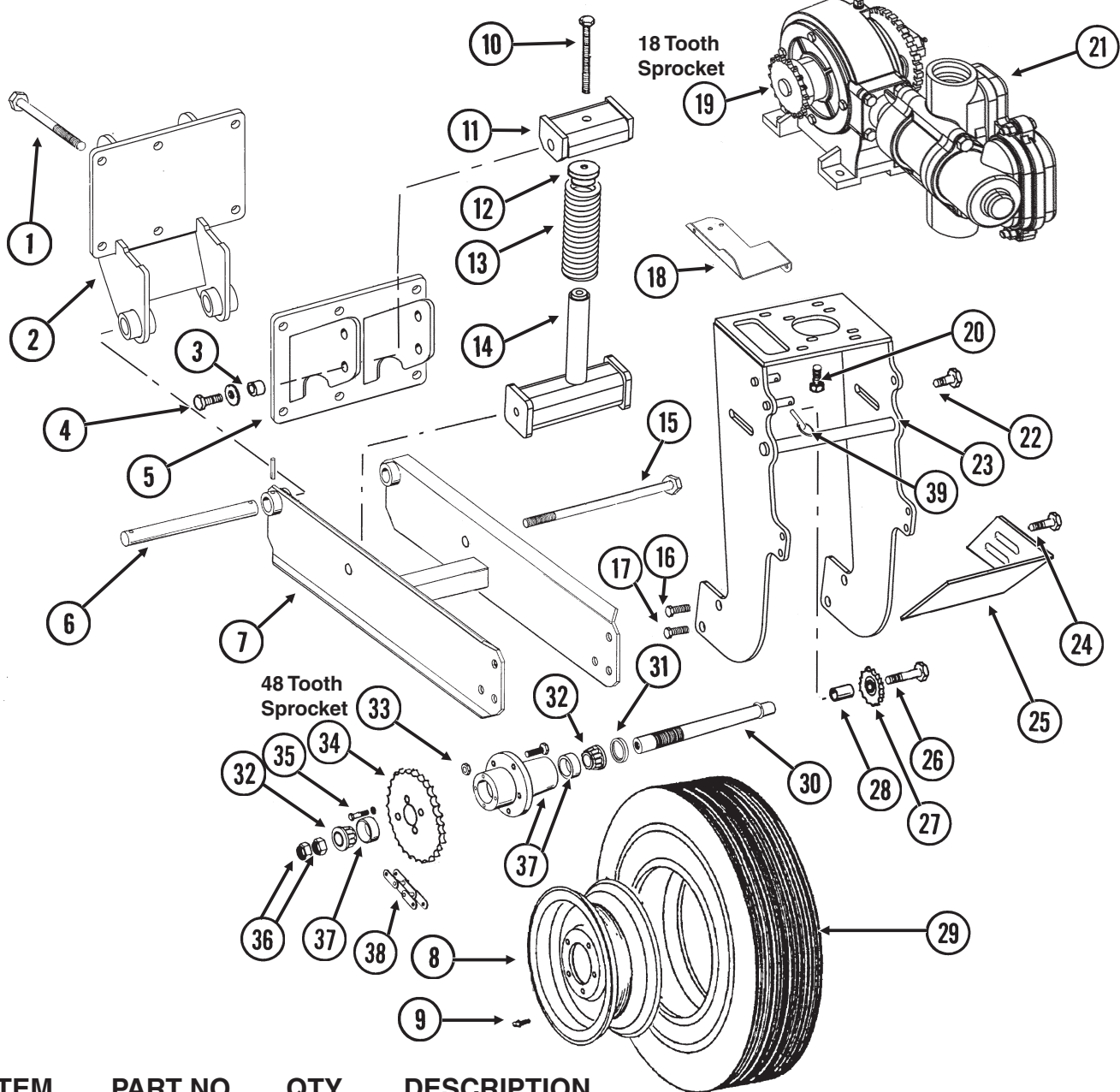
LIQUID FERTILIZER TANKS, SADDLES, SADDLE MOUNTS AND HOSES

ITEM	PART NO.	QTY.	DESCRIPTION
6.	GD1862	-	Pad, 8" x 14' (For Two 30" Tanks)
7.	GA7133	-	Tank Mount (2 Per Tank)
8.	GD10110	-	Mounting Angle (2 Per Tank)
9.	G10007	-	Hex Head Cap Screw, 5/8"-11 x 1 1/2"
	G10230	-	Lock Washer, 5/8"
	G10104	-	Hex Nut, 5/8"-11
10.	G10342	-	Hex Head Cap Screw, 3/4"-10 x 8"
	G10218	-	Washer, 3/4" USS
	G10231	-	Lock Washer, 3/4"
	G10105	-	Hex Nut, 3/4"-10
11.	G10626	-	Adapter, 1 1/4" NPT To Barb
12.	GD1337	-	J-Bolt, 5/16"-18 (8 Per Tank)
	G11182	-	Lock Nut W/Nylon Insert, 5/16"-18, Grade 8 (8 Per Tank)
13.	G10674	-	Hose Clamp, No. 24
14.	GA4976	-	Shutoff Valve, 1 1/4" NPT
	GR1015	-	Body O-Ring
	GR1016	-	Stem O-Ring
	GR1017	-	Teflon Seat
	GR1018	-	Ball
	GR1019	-	Handle
15.	G10887	-	Elbow, 90°, 1 1/4" Male NPT To Female
16.	G10619	-	Close Nipple, 1 1/4" NPT
17.	G10096	-	Pipe Plug, 3/4" NPT
18.	G10633	-	Tee, 1 1/4" Barb
19.	G4200-03	1	Hose, 1 1/4" x 32', 8 Row 36"/38" And 12 Row 30"
	G4200-06	-	Hose, 1 1/4" x 40', 16 Row 30"
20.	G10888	-	Tee, 2" Female NPT
21.	G10616	-	Reducing Bushing, 2" Male NPT To 1 1/4" Female
22.	GD10777	-	Dust Plug, 2" Male Cam Lock
23.	GD3622	-	Adapter, 2" Female NPT To Cam Lock
24.	GD3951	-	Dust Cap, 2" Cam Lock
25.	G10889	-	Elbow, 45°, 2" Male NPT To Female
26.	GD3623	-	Adapter, 2" Male NPT To Cam Lock
27.	GD1113	-	U-Bolt, 5" x 7" x 5/8"-11
	G10230	-	Lock Washer, 5/8"
	G10104	-	Hex Nut, 5/8"-11
28.	GA2660	-	Shutoff Valve, 2" NPT
29.	G10630	-	Elbow, 90°, 2" NPT To Barb
30.	G10676	-	Hose Clamp, No. 36, Stainless Steel
31.	G4201-02	-	Hose, 2" x 12', 8 Row
	G4201-03	-	Hose, 2" x 18', 12/16 Row
32.	GA7845	-	Quick Fill Mount, 2"
33.	G10623	-	Close Nipple, 2" NPT

LIQUID FERTILIZER PISTON PUMP MOUNT AND GROUND DRIVE WHEEL

(TWL219rr)

48 Tooth Drive Sprocket And 18 Tooth Driven Sprocket



ITEM	PART NO.	QTY.	DESCRIPTION
1.	G10830	6	Hex Head Cap Screw, 5/8"-11 x 7 1/2"
	G10230	6	Lock Washer, 5/8"
	G10104	6	Hex Nut, 5/8"-11
2.	GA10624	1	Wheel Arm Mount
3.	GB0218	2	Bushing, 2 1/32" I.D. x 7/8" O.D. x 1 9/32" Long
4.	G10005	2	Hex Head Cap Screw, 5/8"-11 x 1 3/4"
	GD7805	2	Special Washer, 5/8", Hardened
	G10107	2	Lock Nut, 5/8"-11
5.	GA10622	1	Spring Mount
6.	GD2681	1	Pin, 1 1/4" x 13 1/2"
	G10460	2	Cotter Pin, 1/4" x 2"
7.	GA10621	1	Arm W/Grease Fittings
	G10641	2	Grease Fitting, 1/8" NPT
8.	GA0241	1	Wheel, 5" x 15"
9.	GD1166	1	Valve Stem

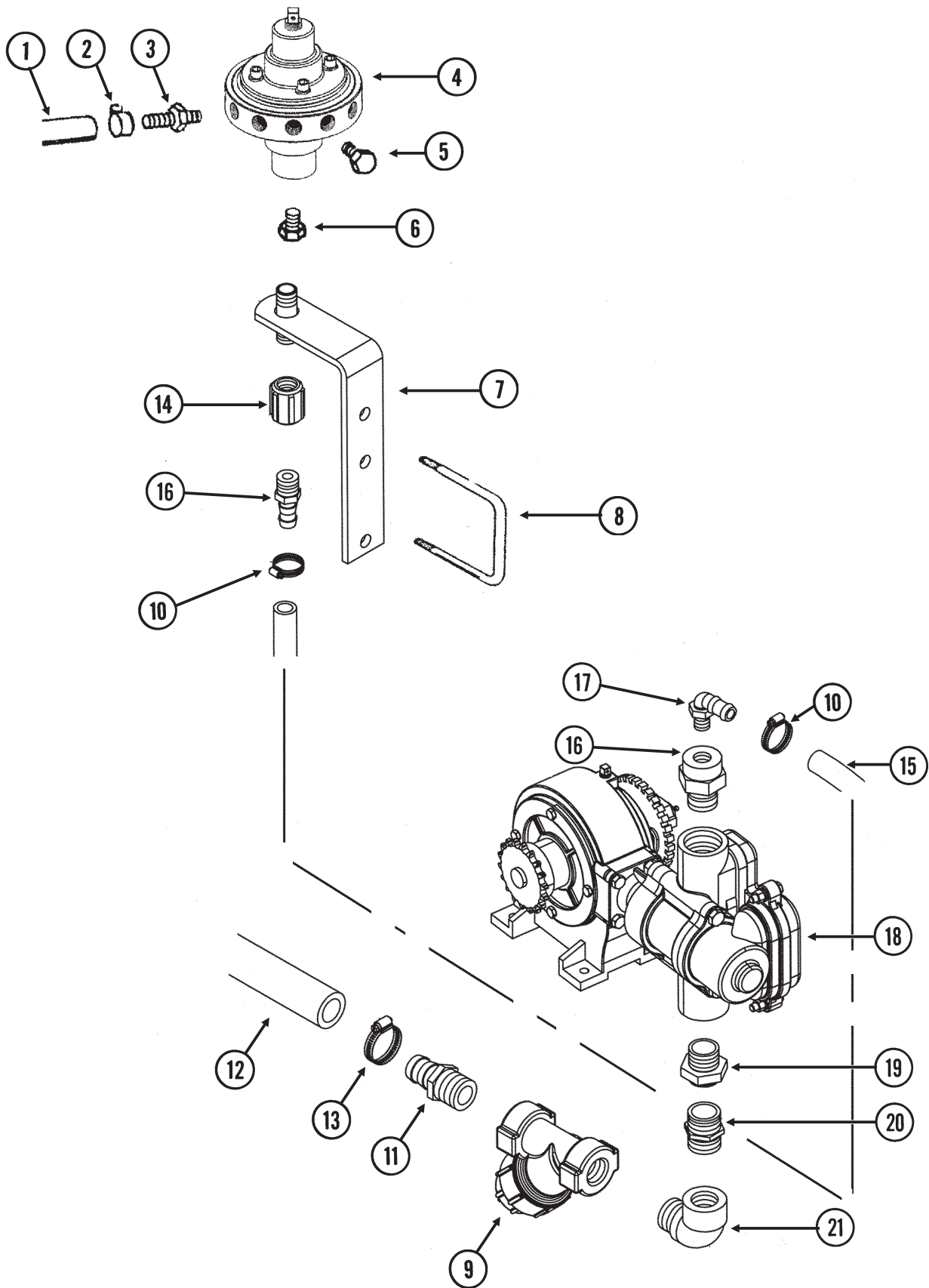
LIQUID FERTILIZER PISTON PUMP MOUNT AND GROUND DRIVE WHEEL

ITEM	PART NO.	QTY.	DESCRIPTION
10.	G10012	1	Hex Head Cap Screw, 5/8"-11 x 6 1/2"
	GD7805	1	Special Washer, 5/8", Hardened
11.	GA10908	1	Spring Mount
12.	GB0196	1	Washer
13.	GD7831	1	Compression Spring
14.	GA10907	1	Spring Guide
15.	G11122	1	Hex Head Cap Screw, 5/8"-11 x 12"
	G10107	1	Lock Nut, 5/8"-11
16.	G10026	2	Hex Head Cap Screw, 3/4"-10 x 2"
	G10231	2	Lock Washer, 3/4"
17.	G11042	2	Hex Head Cap Screw, 3/4"-10 x 1 3/4"
	G10231	2	Lock Washer, 3/4"
	G10105	2	Hex Nut, 3/4"-10
18.	GD13744	1	Hose Holder
19.	GR1146	1	Sprocket, 18 Tooth
20.	G10003	4	Hex Head Cap Screw, 3/8"-16 x 1 1/2"
	GR1122	4	Mounting Pad
	G10210	8	Washer, 3/8" USS
	G10229	4	Lock Washer, 3/8"
	G10101	4	Hex Nut, 3/8"-16
	GR0200	1	Offset Link, No. 2050
21.		-	See "Liquid Fertilizer Piston Pump", Pages P152 And P153
22.	G10007	2	Hex Head Cap Screw, 5/8"-11 x 1 1/2"
	G10217	2	Washer, 5/8" USS
	G10230	2	Lock Washer, 5/8"
	G10104	2	Hex Nut, 5/8"-11
23.	GA10894	1	Pump Mount
24.	G10017	2	Hex Head Cap Screw, 1/2"-13 x 1 1/2"
	G10216	2	Washer, 1/2" USS
	G10228	2	Lock Washer, 1/2"
	G10102	2	Hex Nut, 1/2"-13
25.	GD13328	1	Scraper
26.	G10013	1	Hex Head Cap Screw, 5/8"-11 x 3 1/2"
	G10205	1	Washer, 5/8" SAE
	G10230	1	Lock Washer, 5/8"
	G10104	1	Hex Nut, 5/8"-11
27.	GA0262	1	Idler Sprocket W/Bearing, 15 Tooth
28.	GD7817-05	1	Spacer, 1 1/16" I.D. x 1 1/4" Long
29.	GD0844	1	Tire, 7.60" x 15", 8 Ply (Specify Brand*)
30.	GA2559	1	Spindle
31.	GA0252	2	Seal
32.	GA0251	2	Bearing
33.	GR0267	5	Lug Nut, 1/2"-20
34.	G2500-84	1	Sprocket, 48 Tooth
35.	G10019	4	Hex Head Cap Screw, 5/16"-18 x 1"
	G10232	4	Lock Washer, 5/16"
36.	GD0831	2	Shoulder Nut, 1 1/4"-12 UNF-2A
37.	GA0547	1	Hub W/Cups And Studs, 5 Bolt
	GR0190	2	Cup
	GR0204	5	Stud
38.	G3200-63	-	Chain, No. 2050, 63 Pitch Including Connector And Offset Link, Used With NGP-7075 Piston Pump
	GR0195	-	Connector Link, No. 2050
	GR0200	-	Offset Link, No. 2050
39.	GD2558	1	Lynch Pin, 1/4"

* Specific brand requests will be supplied only as available from current KINZE® Repair Parts stock. If a specific brand requested is not in stock, the brand available will be supplied. Different brand tires may have different diameters. Change in tire brand may affect rates. Field checks are recommended after any change in tires.

LIQUID FERTILIZER FLOW DIVIDER MOUNT AND HOSES

(FRTZ280/FRTZ298)



LIQUID FERTILIZER FLOW DIVIDER MOUNT AND HOSES

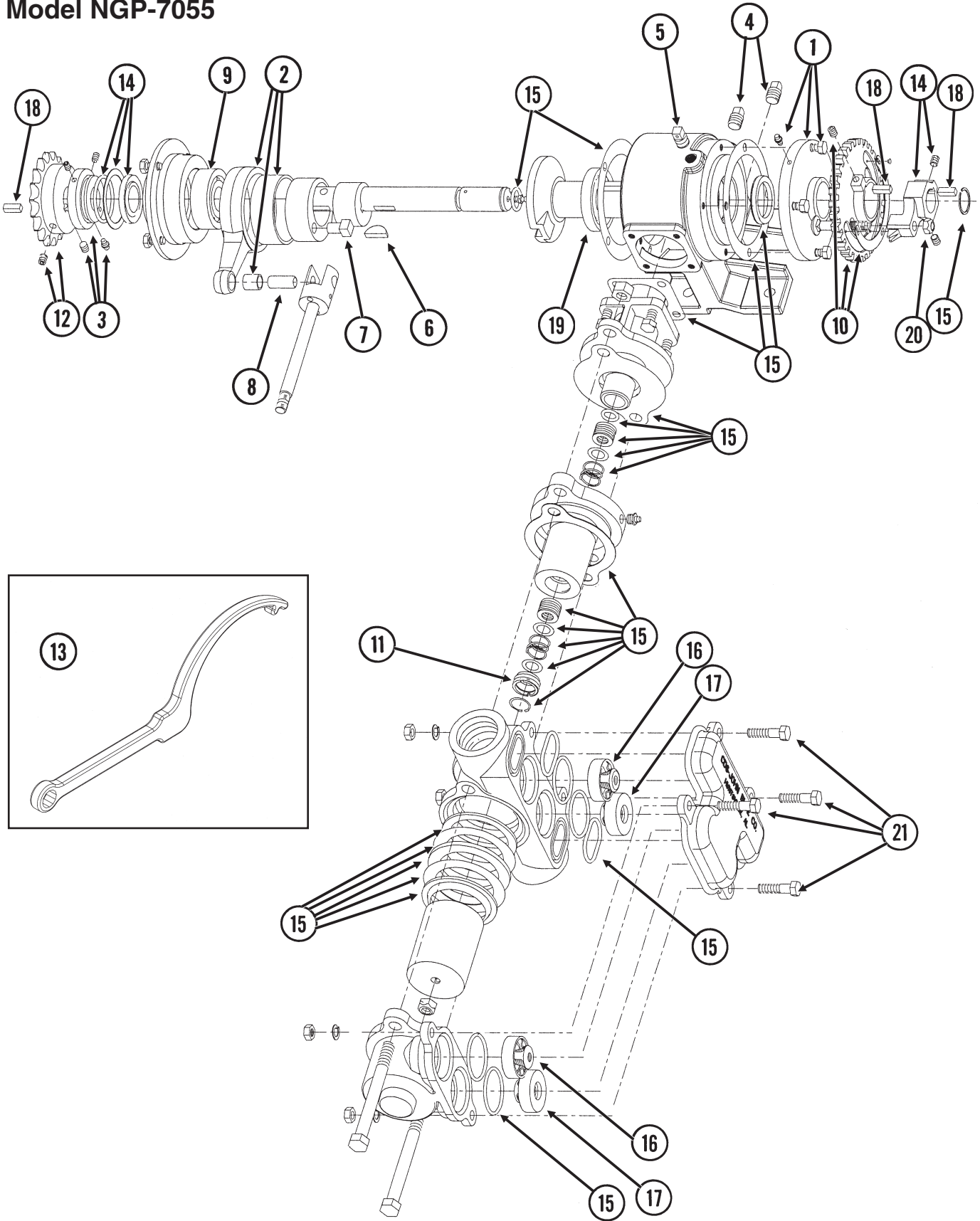
ITEM	PART NO.	QTY.	DESCRIPTION
1.	G4301-06	1	Hose, 3/8" x 160', 12 Row
	G4301-05	1-2	Hose, 3/8" x 120', 16 Row
2.	G10681	-	Hose Clamp, No. 6
3.	GD11700	-	Adapter, 1/4" NPT To 3/8" Barb
4.		-	See "Liquid Fertilizer Piston Pump Flow Divider", Pages P154 And P155
5.	G10292	-	Pipe Plug, 1/4" NPT
6.	G10995	1	Reducing Bushing, 1" Male NPT To 3/4" Female, Stainless Steel (If Applicable)
7.	GA6527	1	Mount, 3/4" NPT
8.	GD1113	1	U-Bolt, 5" x 7" x 5/8"-11
	G10230	2	Lock Washer, 5/8"
	G10104	2	Hex Nut, 5/8"-11
9.	GA3893	1	Strainer Complete
	GR0880	-	Screen, No. 40 Mesh
	GR0881	-	Gasket
	GR0882	-	Y-Body
	GR0883	-	End Cap
10.	G10278	-	Hose Clamp, No. 16
11.	G10626	2	Adapter, 1 1/4" NPT To Barb
12.		-	See "Liquid Fertilizer Tanks, Saddles, Saddle Mounts And Hoses", Pages P146 And P147
13.	G10674	2	Hose Clamp, No. 24
14.	G11083	1	Coupler, 3/4" Female NPT
15.	G4205-10	-	Hose, 3/4" x 200"
16.	G11237	1	Reducing Bushing, 1 1/2" Male NPT To 3/4" Female
17.	G10917	1	Elbow, 90°, 3/4" NPT To Barb
18.		-	See "Liquid Fertilizer Piston Pump", Pages P152 And P153
19.	G10615	1	Reducing Bushing, 1 1/2" Male NPT To 1 1/4" Female
20.	G10619	1	Close Nipple, 1 1/4" NPT
21.	G10887	1	Elbow, 90°, 1 1/4" Male NPT To Female

LIQUID FERTILIZER PISTON PUMP

Uses 18 Tooth Sprocket

(A12335a/GR1808)

Model NGP-7055



LIQUID FERTILIZER PISTON PUMP

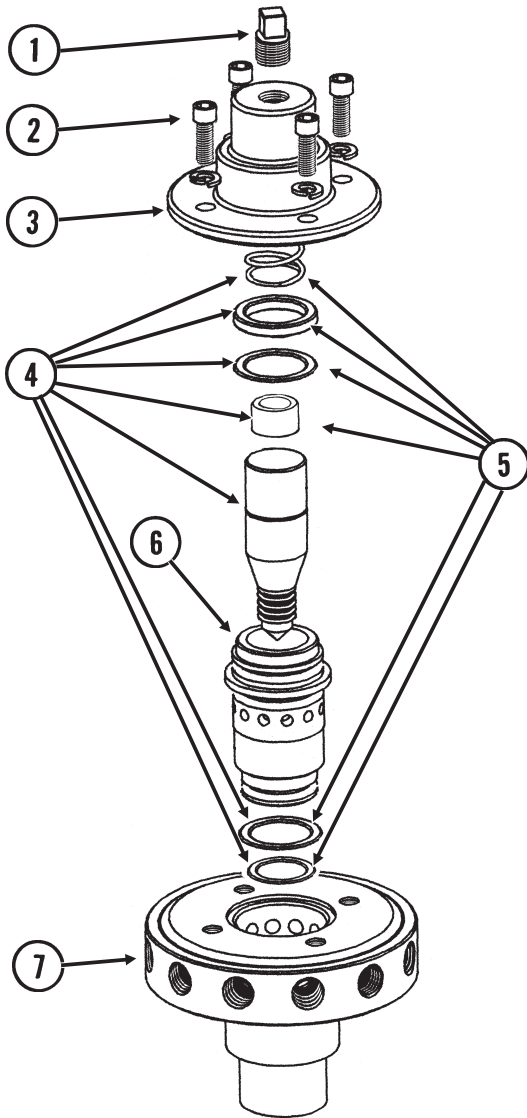
Uses 18 Tooth Sprocket

ITEM	PART NO.	QTY.	DESCRIPTION
1.	GR1804	1	Flange Cover Assembly
	G10991	4	Hex Head Cap Screw, 5/16"-18 x 7/8"
2.	GR1803	1	Connecting Rod Assembly
3.	GR1801	1	Spacer Assembly
	G10693	3	Hex Socket Head Set Screw, 5/16"-18 x 3/8"
4.	GR1123	2	Plug
5.	GR1543	1	Vent Plug
6.	GR1112	1	Woodruff Key
7.	GR1120	1	Eccentric Pin
8.	GR1124	1	Pin
9.	GR1104	1	Bearing
10.	GR1805	1	Setting Hub Assembly
11.	GR1134	1	Stuffing Box Insert
12.	GR1146	1	Sprocket, 18 Tooth
13.	GR1808	1	Adjustment Wrench
14.	GR1806	1	Setting Pointer Assembly
15.	GR1796	1	Repair Kit, Includes: (6) Gaskets, (9) O-Rings, (4) Washers, (1) Retaining Ring, (2) Oil Seals, (1) Snap Ring, (1) Thrust Washer, (1) Rod Bushing, (2) Flange Plunger Packings, (2) Packing Springs, (2) Rod Vee Packing Sets
16.	GR1800	2	Discharge Valve Assembly
17.	GR1798	2	Suction Valve Assembly
18.	GR1118	3	Setting Arm Key
19.	GR1116	1	Bearing
20.	G10306	1	Carriage Bolt, 3/8"-16 x 2"
	G10108	1	Lock Nut, 3/8"-16
21.	G10003	4	Hex Head Cap Screw, 3/8"-16 x 1 1/2"
	G10210	4	Washer, 3/8" USS
	G10229	4	Lock Washer, 3/8"
	G10101	4	Hex Nut, 3/8"-16
A.	GA12335	-	Piston Pump Complete W/18 Tooth Sprocket (Model NGP-7055)

LIQUID FERTILIZER PISTON PUMP FLOW DIVIDER

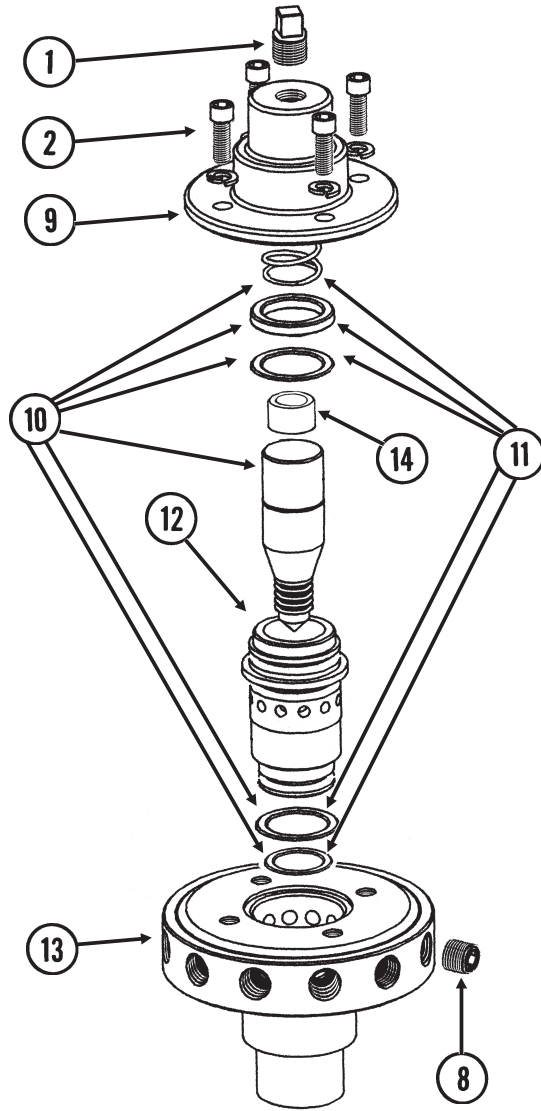
(FRTZ159/PT40a/FRTZ202c)

Model FD-1200 Flow Divider, 12 Outlet



3/4" NPT

Model FD-2000 Flow Divider, 20 Outlet



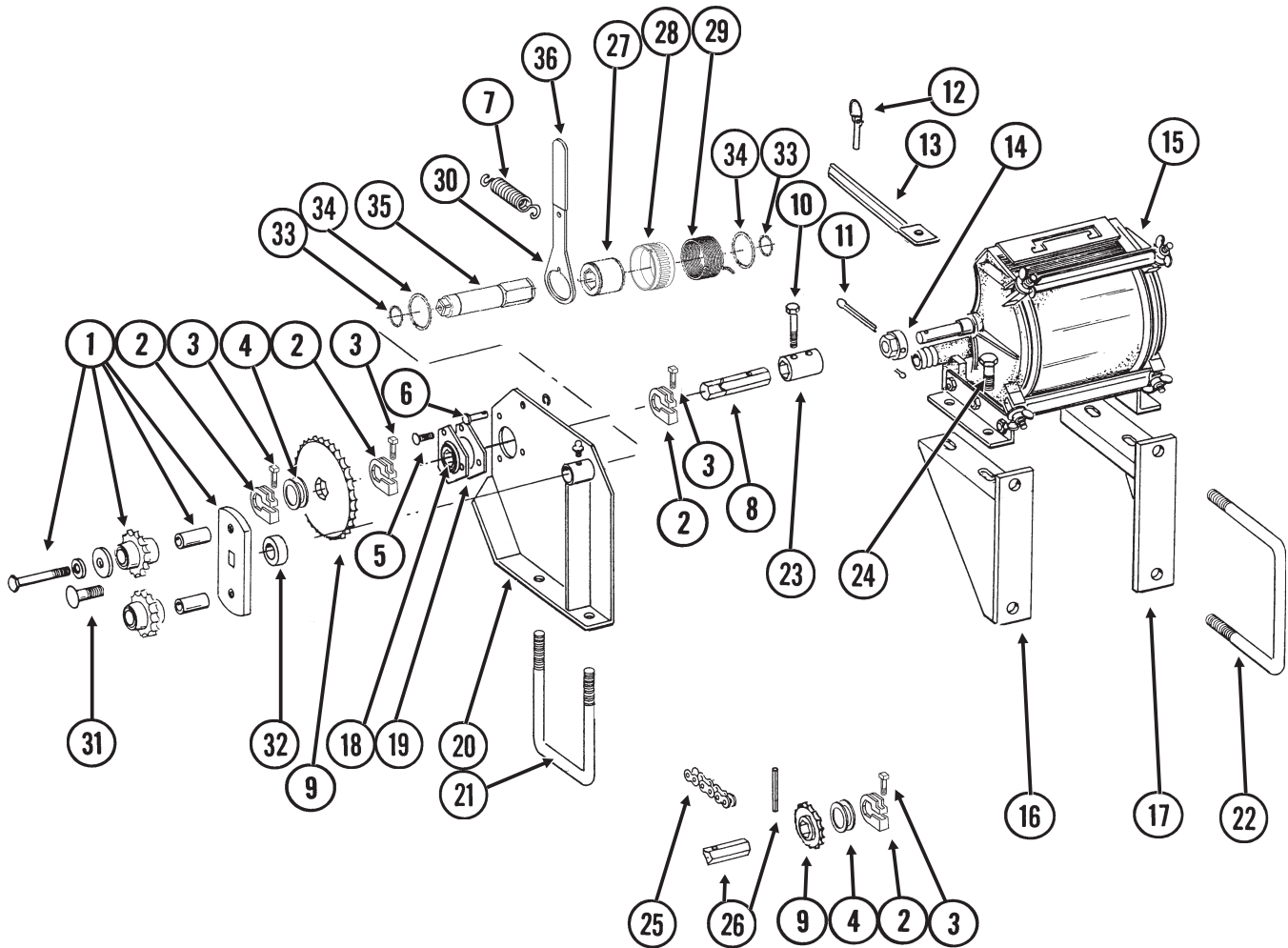
1" NPT

LIQUID FERTILIZER PISTON PUMP FLOW DIVIDER

ITEM	PART NO.	QTY.	DESCRIPTION
1.	GR1543	1	Vent Plug
2.	GR1542	4	Hex Socket Head Screw, 1/4"-20 x 3/4"
	GR1541	4	Lock Washer, 1/4", Stainless Steel
3.	GR1540	1	Cap
4.	GR1544	1	Needle Assembly W/Seal Kit (Item 22)
5.	GR1545	1	Seal Kit, Includes: (3) O-Rings, (1) Seal, (1) Spring, (1) Stainless Steel Sleeve
6.	GR1535	1	Sleeve
7.	GR1533	1	Body, 12 Outlets
8.	G10350	4	Hex Socket Head Plug, 1/4" NPT, Stainless Steel
9.	GR1566	1	Cap
10.	GR1567	1	Needle Assembly W/Seal Kit (Item 22)
11.	GR1568	1	Seal Kit, Includes: (3) O-Rings, (1) Seal, (1) Spring
12.	GR1561	1	Sleeve
13.	GR1559	1	Body, 20 Outlets
14.	GR1574	1	Sleeve, 1" O.D. x 1/2" Long, Stainless Steel
A.	GA8931	1	Liquid Fertilizer Piston Pump Flow Divider Complete, 12 Outlet (Model FD-1200) (Items 1-7) (8/12 Row Sizes)
B.	GA9407	1	Liquid Fertilizer Piston Pump Flow Divider Complete, 20 Outlet (Model FD-2000) (Items 1, 2 And 8-14) (16 Row Size)

LIQUID FERTILIZER SQUEEZE PUMP DRIVE

(TWL46e)



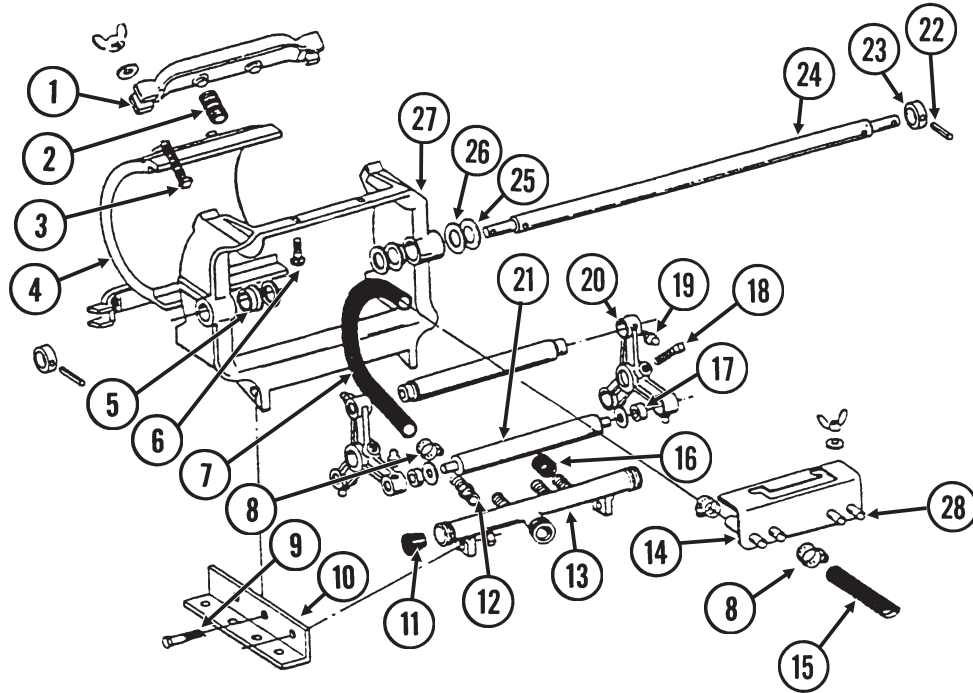
ITEM	PART NO.	QTY. (Per Side)	DESCRIPTION
1.	GA7336	1	Idler W/Bolt-On Sprockets
	GD7426	-	Sprocket, 12 Tooth
	GD1026	-	Sleeve, 1 3/16" Long
	G10210	-	Washer, 3/8" USS
	G10229	-	Lock Washer, 3/8"
	G10047	-	Hex Head Cap Screw, 3/8"-16 x 1 3/4"
2.	GD11045	4	Lock Clamp
3.	G10130	4	Square Head Machine Bolt, 5/16"-18 x 1 3/4"
	G10923	4	Flange Nut, 5/16"-18, No Serration
4.	G10233	-	Machine Bushing, 1", 10 Gauge (As Required)
5.	G10303	3	Carriage Bolt, 5/16"-18 x 1"
	G10219	3	Washer, 5/16" USS
	G10232	3	Lock Washer, 5/16"
	G10106	3	Hex Nut, 5/16"-18
	6.	G10478	1
	G10409	1	Retaining Ring, 5/16"
7.	GD5857	1	Spring
8.	GD2548-48	1	Hex Shaft, 7/8" x 48" (1 Hole), 8 Row
	GD2548-54	-	Hex Shaft, 7/8" x 54" (1 Hole), 12/16 Row

LIQUID FERTILIZER SQUEEZE PUMP DRIVE

ITEM	PART NO.	QTY.	DESCRIPTION
		(Per Side)	
9.	GA5105	1	Sprocket, 15 Tooth
	GA5106	1	Sprocket, 17 Tooth
	GA5107	1	Sprocket, 19 Tooth
	GA5108	1	Sprocket, 23 Tooth
	GA5109	1	Sprocket, 24 Tooth
	GA5114	2	Sprocket, 30 Tooth
	GA6514	1	Sprocket, 46 Tooth
	GA5194	1	Sprocket, 50 Tooth
	GA6515	-	Sprocket, 62 Tooth
	GA5195	1	Sprocket, 66 Tooth
10.	G10339	1	Hex Head Cap Screw, 5/16"-18 x 2"
	G10232	1	Lock Washer, 5/16"
	G10106	1	Hex Nut, 5/16"-18
11.	G10462	1	Cotter Pin, 3/16" x 2"
12.	GD2558	1	Lynch Pin, 1/4"
13.	GA5146	1	Sprocket Storage Rod
14.	GD7127	1	Shear Coupler
15.		-	See "Liquid Fertilizer Squeeze Pump", Pages P158-P161
16.	GA4619	1	Pump Mount, L.H.
17.	GA4620	1	Pump Mount, R.H.
18.	G2100-03	1	Bearing, 7/8" Hex Bore, Spherical
19.	G3400-01	2	Flangette
20.	GA4617	1	Drive Plate W/Grease Fitting
	GA4618	-	Drive Plate W/Grease Fitting (Shown)
	G10640	-	Grease Fitting, 1/4"-28
21.	GD1134	1	U-Bolt, 7" x 5" x 5/8"-11
	G10230	2	Lock Washer, 5/8"
	G10104	2	Hex Nut, 5/8"-11
22.	GD1113	2	U-Bolt, 5" x 7" x 5/8"-11
	G10230	4	Lock Washer, 5/8"
	G10104	4	Hex Nut, 5/8"-11
23.	GD6924	1	Coupler
24.	G10004	4	Hex Head Cap Screw, 3/8"-16 x 1 1/4"
	G10210	4	Washer, 3/8" USS
	G10229	4	Lock Washer, 3/8"
	G10101	4	Hex Nut, 3/8"-16
25.	G3310-170	1	Chain, No. 40, 170 Pitch Including Connector Link
	GR0912	-	Connector Link, No. 40
26.		-	See "Seed Rate Transmission And Row Unit Drill Shafts", Pages P80 And P81
27.	GD14432	1	Sleeve, 1 1/4"
28.	GD19344	-	Release Collar, Gray, L.H. (Shown)
	GD19343	1	Release Collar, Blue, R.H.
29.	GD14414	1	Torsion Spring, R.H. (Used In L.H. Wrap Spring Wrench) (Shown)
	GD14413	-	Torsion Spring, L.H. (Used In R.H. Wrap Spring Wrench)
30.	GD14431	1	Handle
31.	G11100	1	Hex Socket Button Head Cap Screw, 1/4"-20 x 1/2", Grade 8
	G10227	1	Lock Washer, 1/4"
	G10209	1	Washer, 1/4" USS
32.	GD2734-08	1	Sleeve, 1 1/4" O.D. x 5/8" Long
33.	G11075	2	External Inverted Snap Ring, 7/8"
34.	G10496	2	External Inverted Snap Ring, 1 1/2"
35.	GD14427	1	Tightener Shaft, 4 7/8"
36.	G11078	1	Vinyl Cap
A.	G1K269	-	Lock Clamp Kit (Items 2 And 3)
B.	G1K379	-	Wrap Spring Wrench Replacement Kit, Silver Collar, L.H. (Items 27-36) (Shown)
	G1K378	1	Wrap Spring Wrench Replacement Kit, Gold Collar, R.H. (Items 27-36)

LIQUID FERTILIZER SQUEEZE PUMP, 8 ROW SIZE

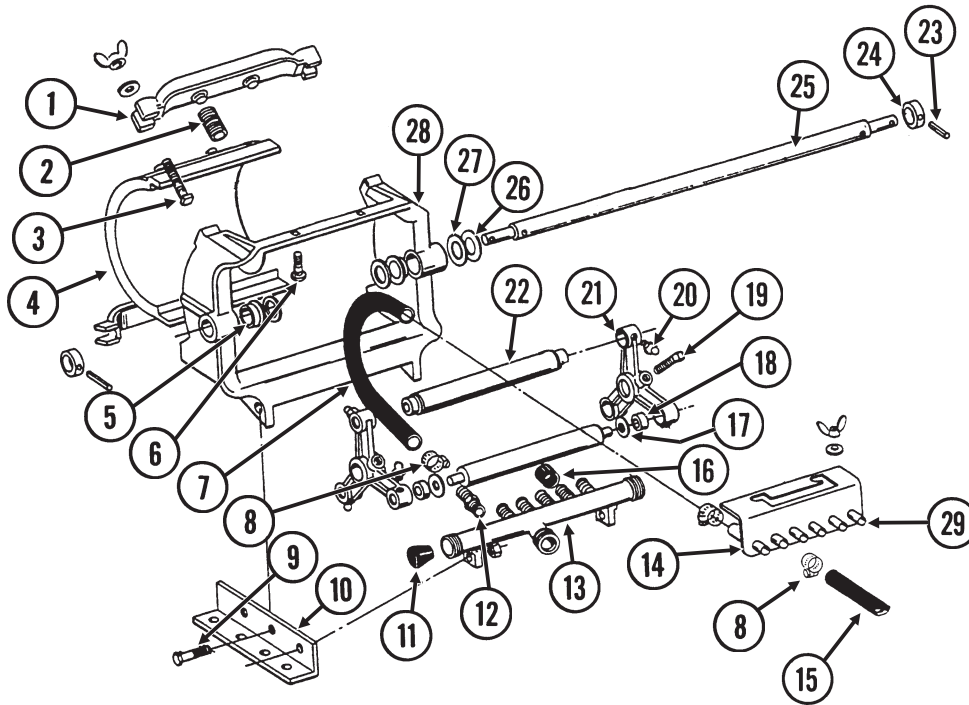
LFC011(PT46a)



ITEM	PART NO.	QTY.	DESCRIPTION
1.	GR0216	2	Spring Anchor Bar
2.	GR0214	4	Spring
3.	G10130	4	Square Head Machine Bolt, 5/16"-18 x 1 3/4"
	G10219	4	Washer, 5/16" USS
	G10144	4	Wing Nut, 5/16"-18
4.	GR0212	1	Plate
5.	GR0207	2	Nylon Bushing
6.	G10303	2	Carriage Bolt, 5/16"-18 x 1"
	G10219	2	Washer, 5/16" USS
	G10144	2	Wing Nut, 5/16"-18
7.	GR0215	4	Metering Hose, 1/2" x 13"
8.	G10681	-	Hose Clamp, No. 6
9.	G10004	4	Hex Head Cap Screw, 3/8"-16 x 1 1/4"
	G10101	4	Hex Nut, 3/8"-16
10.	GR0213	2	Angle
11.	GR0217	2	Manifold Plug
12.	GR0232	4	Adapter
13.	GR0228	1	Intake Manifold
14.	GR1484	1	Discharge Manifold Less Hose Barbs
15.	G4301-05	1	Hose, 3/8" x 120'
16.	GR0211	-	Rubber Cap
17.	GR0227	6	Nylon Washer
18.	G10131	2	Square Head Set Screw, 5/16"-18 x 3/4"
19.	G10640	2	Grease Fitting, 1/4"-28
20.	GR0223	2	Roller Arm
21.	GR0209	3	Roller
22.	G10718	2	Spring Pin, 5/16" x 1 1/8"
23.	GD9109	2	Sleeve
24.	GD9107	1	Shaft
25.	GR0226	2	Shim, 3/64"
26.	GR0225	2	Shim, 1/32"
27.	GR0208	1	Frame
28.	GR1577	4	Nylon Hose Barb, 1/2" x 3/8" (If Applicable)
A.	GA8690	2	Squeeze Pump Complete, 4 Rows (Items 1-14, 16-21 And 24-28)

LIQUID FERTILIZER SQUEEZE PUMP, 12 ROW SIZES

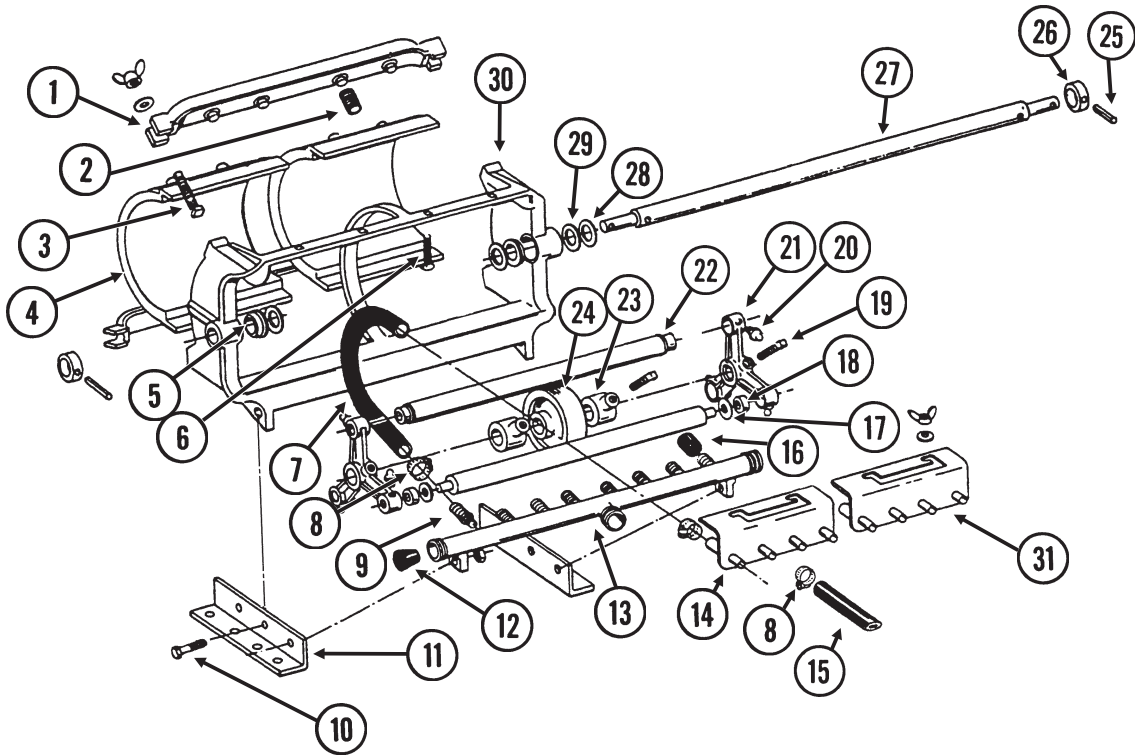
LFC011/LFC011(PT47a)



ITEM	PART NO.	QTY.	DESCRIPTION
1.	GR0216	2	Spring Anchor Bar
2.	GR0214	4	Spring
3.	G10130	4	Square Head Machine Bolt, 5/16"-18 x 1 3/4"
	G10219	4	Washer, 5/16" USS
	G10144	4	Wing Nut, 5/16"-18
4.	GR0212	1	Plate
5.	GR0207	2	Nylon Bushing
6.	G10303	2	Carriage Bolt, 5/16"-18 x 1"
	G10219	2	Washer, 5/16" USS
	G10144	2	Wing Nut, 5/16"-18
7.	GR0215	6	Metering Hose, 1/2" x 13"
8.	G10681	-	Hose Clamp, No. 6
9.	G10004	4	Hex Head Cap Screw, 3/8"-16 x 1 1/4"
	G10101	4	Hex Nut, 3/8"-16
10.	GR0213	2	Angle
11.	GR0217	2	Manifold Plug
12.	GR0232	6	Adapter
13.	GR0228	1	Intake Manifold
14.	GR1484	1	Discharge Manifold Less Hose Barbs
15.	G4301-06	1	Hose, 3/8" x 160', 12 Row 30"
	G4301-05	2	Hose, 3/8" x 120', 12 Row 36"/38"
16.	GR0211	-	Rubber Cap
17.	GR0229	6	Nylon Washer
18.	GR1626	6	Bushing
19.	G10131	2	Square Head Set Screw, 5/16"-18 x 3/4"
20.	G10640	8	Grease Fitting, 1/4"-28
21.	GR0231	2	Roller Arm
22.	GR0233	3	Roller
23.	G10718	2	Spring Pin, 5/16" x 1 1/8"
24.	GD9109	2	Sleeve
25.	GD9107	1	Shaft
26.	GR0226	2	Shim, 3/64"
27.	GR0225	2	Shim, 1/32"
28.	GR0208	1	Frame
29.	GR1577	6	Nylon Hose Barb, 1/2" x 3/8" (If Applicable)
A.	GA8691	2	Squeeze Pump Complete, 6 Rows (Items 1-13, 15-22 And 25-29)

LIQUID FERTILIZER SQUEEZE PUMP, 16 ROW SIZE

LFC010(PT48a)

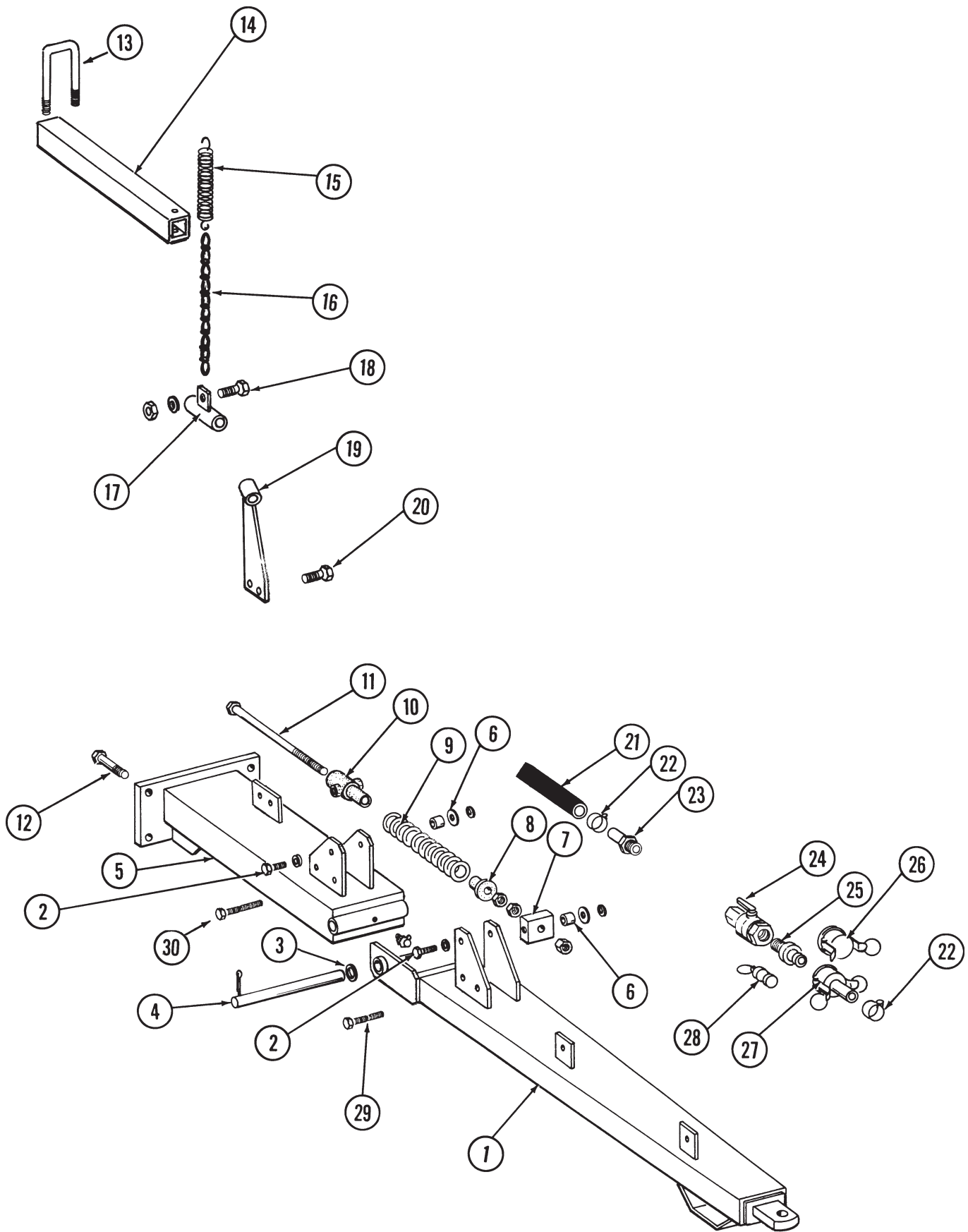


LIQUID FERTILIZER SQUEEZE PUMP, 16 ROW SIZE

ITEM	PART NO.	QTY.	DESCRIPTION
1.	GR0221	2	Spring Anchor Bar
2.	GR0214	8	Spring
3.	G10130	4	Square Head Machine Bolt, 5/16"-18 x 1 3/4"
	G10219	4	Washer, 5/16" USS
	G10144	4	Wing Nut, 5/16"-18
4.	GR0212	2	Plate
5.	GR0207	2	Nylon Bushing
6.	G10303	4	Carriage Bolt, 5/16"-18 x 1"
	G10219	4	Washer, 5/16" USS
	G10144	4	Wing Nut, 5/16"-18
7.	GR0215	8	Metering Hose, 1/2" x 13"
8.	G10681	-	Hose Clamp, No. 6
9.	GR0232	8	Adapter
10.	G10004	4	Hex Head Cap Screw, 3/8"-16 x 1 1/4"
	G10101	4	Hex Nut, 3/8"-16
11.	GR0279	1	Angle, L.H.
	GR0280	1	Angle, R.H
12.	GR0217	2	Manifold Plug
13.	GR0284	1	Intake Manifold
14.	GR1485	2	Discharge Manifold Less Hose Barbs
15.	G4301-05	1	Hose, 3/8" x 120'
16.	GR0211	-	Rubber Cap
17.	GR0229	6	Nylon Washer
18.	GR1626	6	Bushing
19.	G10131	2	Square Head Set Screw, 5/16"-18 x 3/4"
20.	G10640	8	Grease Fitting, 1/4"-28
21.	GR0231	2	Roller Arm
22.	GR0283	3	Roller
23.	GR0282	2	Set Collar
24.	GR0281	1	Back Up Roller
25.	G10718	2	Spring Pin, 5/16" x 1 1/8"
26.	GD9109	2	Sleeve
27.	GD9108	1	Shaft
28.	GR0226	4	Shim, 3/64"
29.	GR0225	4	Shim, 1/32"
30.	GR0222	1	Frame
31.	GR1577	8	Nylon Hose Barb, 1/2" x 3/8" (If Applicable)
A.	GA8692	2	Squeeze Pump Complete, 8 Rows (Items 1-14, 16-24 And 27-31)

REAR TRAILER HITCH

PHA032/LFC003(TWL47a)



REAR TRAILER HITCH

ITEM	PART NO.	QTY.	DESCRIPTION
1.	GA6961	1	Hitch
2.	G10007	4	Hex Head Cap Screw, 5/8"-11 x 1 1/2"
	GD7805	4	Special Washer, 5/8", Hardened
	G10230	4	Lock Washer, 5/8"
3.	G10226	2	Washer, 1 1/4" SAE
4.	GD3547	1	Pin, 1 1/4" x 12 3/4"
	G10460	2	Cotter Pin, 1/4" x 2"
5.	GA6960	1	Hitch
6.	GB0218	4	Bushing, 2 1/32" I.D. x 7/8" O.D. x 1 9/32" Long
7.	GD7908	1	Tap Block
8.	GB0213	1	Spring Seat
9.	GD2115	1	Spring
10.	GB0206	1	Rod Guide
11.	GD7907	1	Special Bolt
	G10105	3	Hex Nut, 3/4"-10
12.	G10826	5	Hex Head Cap Screw, 1"-8 x 2 1/2"
	G10396	5	Lock Nut, 1"-8
13.	GD2721	2	U-Bolt, 2" x 2" x 1/2"-13
	G10228	4	Lock Washer, 1/2"
	G10102	4	Hex Nut, 1/2"-13
14.	GD10196	-	Hanger Tube
15.	GD0829	-	Spring
16.	G3305-03	-	Twin Loop Chain, 15 Links
17.	GA7209	-	Hose Support
18.	G10064	1	Hex Head Cap Screw, 1/4"-20 x 1"
	G10209	2	Washer, 1/4" USS
	G10110	1	Lock Nut, 1/4"-20, Grade B
19.	GA7208	-	Hose Support
20.	G10004	2	Hex Head Cap Screw, 3/8"-16 x 1 1/4"
	G10108	2	Lock Nut, 3/8"-16
21.	G4200-01	1	Hose, 1 1/4" x 22'
22.	G10672	6	Hose Clamp, No. 28
23.	G10626	1	Adapter, 1 1/4" NPT To Barb
24.	GA4976	1	Shutoff Valve, 1 1/4" NPT
	GR1015	-	Body O-Ring
	GR1016	-	Stem O-Ring
	GR1017	-	Teflon Seat
	GR1018	-	Ball
	GR1019	-	Handle
25.	GD1514	1	Adapter, 1 1/4" Male NPT To Cam Lock
26.	GD1515	1	Dust Cap, 1 1/4" Cam Lock
27.	GD1516	1	Adapter, 1 1/4" Barb To Female Cam Lock
28.	GD1517	1	Dust Plug, 1 1/4" Male Cam Lock
29.	G10172	1	Hex Head Cap Screw, 3/8"-16 x 5"
	G10229	1	Lock Washer, 3/8"
	G10101	1	Hex Nut, 3/8"-16
30.	G10756	1	Hex Head Cap Screw, 3/8"-16 x 6"
	G10229	1	Lock Washer, 3/8"
	G10101	1	Hex Nut, 3/8"-16

DECALS, PAINT AND MISCELLANEOUS



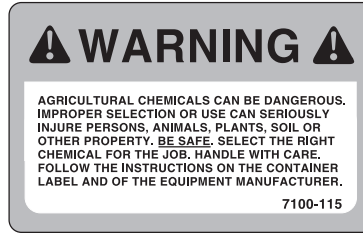
1



2



3



4



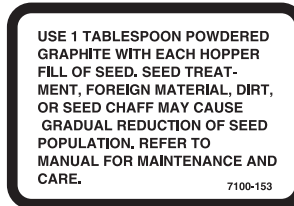
5



6



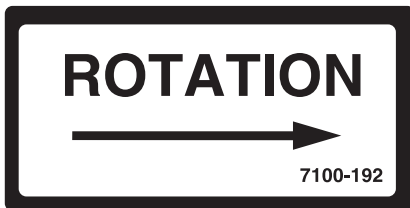
7



8



9



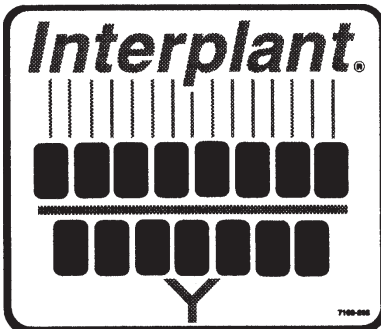
10



11



12



13

TRANSMISSION RATE REDUCTION

DRIVE	DRIVEN	% REDUCTION IN POPULATION
15	30	50
17	30	43
23*	30	23
24	30	20
25*	30	17
26*	30	13
27	30	10

* Use sprockets off seed drive transmission

14



15

NOTE

It is the responsibility of the user to read and understand the Operator's Manual in regards to safety, operation, lubrication and maintenance before operation of this equipment.

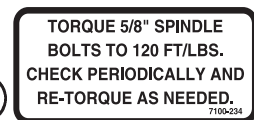
AN OPERATOR & PARTS MANUAL IS AVAILABLE FOR THIS MACHINE.

To obtain a manual, furnish model number and serial number and contact your KINZE Dealer or KINZE Manufacturing, Inc., P.O. Box 806 Williamsburg, IA 52361-0806 USA

16



17



18

KINZE 3600

19



20

DECALS, PAINT AND MISCELLANEOUS

ROTATE KNURLED COLLAR
ON WRAP SPRING TIGHTENER
TO RELEASE SPRING
TENSION

7100-295

21

CAUTION

SET DOWN PRESSURE SPRINGS TO MINIMUM. LOWER
PLANTER TO GROUND AND EMPTY SEED HOPPERS.
REQUIRES 90 LB MIN TO LIFT.

7100-249

22

WARNING

TO AVOID INJURY --
STAND CLEAR--KEEP OTHERS
AWAY WHEN RAISING OR LOWERING
MARKERS. BEFORE TRANSPORTING
PLANTER FULLY EXTEND HYDRAULIC
CYLINDERS AND INSTALL LOCKING
PINS WHERE PROVIDED.

7100-42

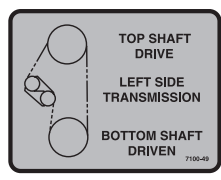
23

WARNING

1. Read and understand the Operator's Manual.
2. Stop the tractor engine before leaving the operator's platform.
3. Keep riders off the machine.
4. Make certain everyone is clear of the machine before starting the tractor engine and operating.
5. Keep all shields in place.
6. Never lubricate, adjust, unclog or service the machine with tractor engine running.
7. Wait for all movement to stop before servicing.
8. Keep hands, feet and clothing away from moving parts.
9. Use flashing warning lights when operating on highways except when prohibited by law.

7100-46

24



7100-43

25

WARNING

USE SAFETY
CHAINS PROVIDED.
TOW ONLY WITH
FARM TRACTOR.

7100-302

26

CAUTION

REAR OF PLANTER SWINGS
WIDE IN TURNS. ALWAYS
ALLOW SUFFICIENT ROOM
TO CLEAR OBSTACLES
WHEN TURNING.

7100-63

27

WARNING

NEVER WALK UNDER OR WORK
ON PLANTER WHEN IT IS
RAISED WITHOUT SUPPORTING
THE FRAMES WITH
ADDITIONAL SUPPORTS.

7100-68

28

CAUTION

AVOID UNEVEN LOADING
OF HOPPERS, ESPECIALLY
DURING TRANSPORT

7100-75

29

WARNING

TO AVOID INJURY
ALWAYS USE HYDRAULIC CYLINDER
SAFETY LOCKOUT CHANNELS WHEN
TRANSPORTING PLANTER ON THE
ROAD. AFTER USE RETURN TO
STORAGE LOCATION.

7100-83

30

DANGER

THIS PLANTER IS DESIGNED TO BE
DRIVEN BY GROUND TIRES ONLY.
THE USE OF HYDRAULIC, ELECTRIC
OR PTO DRIVES MAY CREATE
SERIOUS SAFETY HAZARDS TO YOU
AND THE PEOPLE NEARBY. IF YOU
INSTALL SUCH DRIVES YOU MUST
FOLLOW ALL APPROPRIATE SAFETY
STANDARDS AND PRACTICES
TO PROTECT YOU AND OTHERS NEAR
THIS PLANTER FROM INJURY.

7100-89

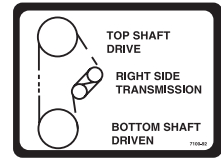
31

WARNING

THIS MACHINE HAS BEEN DESIGNED
AND BUILT WITH YOUR SAFETY IN
MIND. DO NOT MAKE ANY
ALTERATIONS OR CHANGES TO THIS
MACHINE. ANY ALTERATION TO THE
DESIGN OR CONSTRUCTION MAY
CREATE SAFETY HAZARDS.

7100-90

32



7100-91

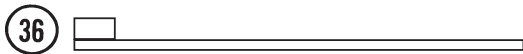
33

A A

34



35



36



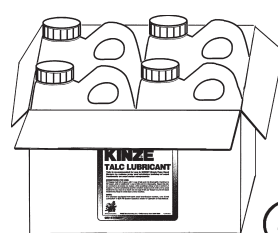
37



38



39

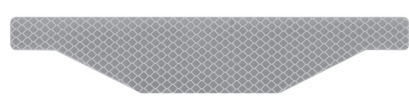


40



7100-311

43



41



42

WARNING

STAY CLEAR
OF DISCHARGE
WHILE FAN
IS RUNNING

7100-301

44

IMPORTANT

-FAN MOTOR CASE DRAIN-
ALWAYS CONNECT THE FAN MOTOR CASE
DRAIN HOSE TO THE TRACTOR ZERO
PRESSURE RETURN. DO NOT CONNECT TO
THE TRACTOR SCV OR MOTOR RETURN
PORTS AS FAN FAILURE WILL OCCUR.

7100-329

45

DECALS, PAINT AND MISCELLANEOUS



46



47

DECALS, PAINT AND MISCELLANEOUS

ITEM	PART NO.	QTY.	DESCRIPTION
1.	G7100-02	3	Decal, Warning
2.	G7100-110	-	Decal, Grease Weekly
3.	G7100-111	-	Decal, Oil Daily
4.	G7100-115	-	Decal, Warning (1 Per Granular Chemical Hopper)
5.	G7100-116	-	Decal, Grease Daily
6.	G7100-117	1	Decal, Danger
7.	G7100-123	1	Decal, Attention
8.	G7100-153	-	Decal, Information (1 Per Seed Meter)
9.	G7100-177	1	Decal, Twin-Line®, ¾" x 3"
10.	G7100-192	-	Decal, Point Row Clutch Rotation
11.	G7100-200	-	Decal, Warning
12.	G7100-201	1	Decal, Information
13.	G7100-208	-	Decal, Interplant®
14.	G7100-214	-	Decal, Two-Speed Point Row Clutch Rate Reduction
15.	G7100-215	1	Decal, Danger
16.	G7100-217	-	Decal, Note
17.	G7100-219	-	Decal, Warning
18.	G7100-234	-	Decal, Bolt Torque
19.	G7100-245	2	Decal, KINZE® 3600
20.	G7100-247	-	Decal, Logo, 4 ⅜" x 4 ½" (2 Per Row Unit)
	G7100-252	-	Decal, Logo, 3 ½" x 3 ⅝" (Hopper Panel Extension)
21.	G7100-295	-	Decal, Spring Tension Release
22.	G7100-249	-	Decal, Caution
23.	G7100-42	4	Decal, Warning
24.	G7100-46	1	Decal, Warning
25.	G7100-49	1	Decal, Left Side Transmission
26.	G7100-302	1	Decal, Warning
27.	G7100-63	2	Decal, Caution
28.	G7100-68	3	Decal, Warning
29.	G7100-75	4	Decal, Caution
30.	G7100-83	2	Decal, Warning (1 Per Marker Lockup)
31.	G7100-89	2	Decal, Danger
32.	G7100-90	1	Decal, Warning
33.	G7100-92	1	Decal, Right Side Transmission
34.	GD10057-01	-	Hose Identification Sleeve, Red AA
	GD10057-02	-	Hose Identification Sleeve, Red BB
	GD10057-03	-	Hose Identification Sleeve, Blue AA
	GD10057-04	-	Hose Identification Sleeve, Blue BB
35.	GM0224	-	Operator & Parts Manual, Model 3600 (EdgeVac® Seed Metering)
36.	GD1512	-	Tie Strap, 7 ½"
	GD2117	-	Tie Strap, 14 ½"
	GD1162	-	Tie Strap, 28"
	GD2984	-	Tie Strap, 34"
37.	GD2199	1	SMV Sign
38.	GR0146MPP	-	Powdered Graphite, Twenty-Four 1 Pound Containers
39.	GR0155MPP	-	Blue Paint, Twelve Aerosol Cans
40.	GR1570MPP	-	Talc Lubricant, Four 8 Pound Containers
	GR1828	-	Talc Lubricant, 30 Pound Containers
41.	G7100-261	-	Reflective Decal, Red, 1 ¾" x 9", Die-Cut (If Applicable)
	G7100-262	-	Reflective Decal, Amber, 1 ¾" x 9", Die-Cut (If Applicable)
	G7100-263	-	Reflective Decal, Orange, 1 ¾" x 9", Die-Cut (If Applicable)
42.	G7100-258	-	Reflective Decal, Red, 1 ½" x 9", Rectangular (If Applicable)
	G7100-259	-	Reflective Decal, Amber, 1 ½" x 9", Rectangular (If Applicable)
	G7100-260	-	Reflective Decal, Orange, 1 ½" x 9", Rectangular (If Applicable)
43.	G7100-311	2	Decal, EdgeVac®
44.	G7100-301	2	Decal, Warning
45.	G7100-329	-	Tag, Fan Motor Case Drain
46.	G7100-338	-	Decal, Sending Unit
47.	G7100-339	-	Decal, Sending Unit

NUMERICAL INDEX

Part No.	Page	Part No.	Page	Part No.	Page
A1011	P111	A3113	P111	A6892	P69
A1018	P113	A3118	P111	A6893	P69
A1022	P111	A3122	P113	A6904	P69
A1024	P111	A3127	P112	A6905	P69
A1028	P113	A3128	P113	A7010	P55
A1032	P111	A3129	P111	A7061	P55
A1033	P112	A3131	P112	A7073	P55
A1034	P112	A3133	P111	A7088	P55
A1041	P111	A3141	P112	A7220	P96
A1054	P113	A3152	P112	A7393	P65
A1055	P112	A3156	P111	A7426	P59
A1057	P113	A3159	P111	A7427	P59
A1072	P111	A3163	P113	A7429	P59
A1075	P111	A3181	P112	A7430	P61
A1076	P113	A3183	P111	A7432	P61
A1093	P112	A3184	P111	A7524	P103
A1097	P113	A3215	P111	A7833	P69
A1102	P111	A3216	P111	A7834	P69
A1103	P111	A3281	P53	A7835	P55
A1105	P111	A3282	P53	A8797	P97
A1106	P111	A3283	P53	A8822	P103
A1114	P111	A3340	P53	A8869	P99
A1116	P111	A3344	P53	A8873	P97
A1119	P111	A3351	P53	D13169	P98
A1129	P111	A3352	P47	D13426	P98
A1139	P111	A3354	P47	G10001	P12, P17, P18, P45, P52, P53, P65, P67, P68, P69, P118, P125, P132
A1170	P111	A3355	P47	G10002	P25, P67, P135
A1181	P111	A3356	P47	G10003	P5, P27, P37, P51, P59, P149, P153
A1183	P111	A3357	P47	G10004	P7, P41, P43, P59, P63, P81, P127, P133, P157, P158, P159, P161, P163
A12015	P47	A3358	P47	G10005	P39, P52, P57, P78, P148
A12017	P47	A3359	P47	G10006	P17, P35, P54
A12018	P47	A3361	P47	G10007	P12, P13, P19, P39, P57, P82, P132, P147, P149, P163
A12019	P47	A3362	P47	G10008	P93
A12021	P47	A3369	P53	G10009	P54, P95
A12022	P47	A3371	P53	G10010	P15, P37, P39, P131, P139
A12023	P47	A3376	P47	G10011	P39, P71, P93, P135
A12024	P47	A3377	P47	G10012	P95, P149
A12025	P47	A3378	P47	G10013	P18, P149
A12035	P47	A3675	P53	G10014	P15, P139, P55, P59, P61
A12036	P47	A6201	P53	G10015	P17
A12037	P47	A8209	P47	G10016	P55, P127, P133
A1404	P113	A8250	P53		
A1444	P111	A8253	P47		
A1447	P111	A8261	P47		
A1460	P112	A8263	P47		
A1462	P111	A8265	P47		
A1464	P53, P11	A8266	P47		
A1466	P111	A8267	P112		
A1467	P47, P111	A8269	P47		
A1476	P47	A8270	P47		
A1478	P111	A8272	P53		
A1489	P111	A8283	P53		
A1491	P111	A8284	P47		
A1494	P111	A8285	P47		
A3101	P113	A10759	P25		

NUMERICAL INDEX

Part No.	Page	Part No.	Page	Part No.	Page
G10017.....	P7, P31, P33, P55,P59, P61, P67, P71,P77, P78, P79,P93, P95, P135,P141, P143, P149	G10102.....	P7, P11, P17, P35,P39, P51, P53, P55,P59, P61, P65, P67,P71, P73, P75, P77,P79, P90, P91, P93,P95, P104, P127, P129,P131, P135, P141,P143, P149, P163	G10133.....	P18, P35, P37,P39, P67, P105,P129, P137, P143
G10018.....	P15, P17	G10103.....	P7, P27, P65, P67,P69, P75, P77, P78,P85, P87, P89	G10144.....	P158, P159, P161
G10019.....	P11, P51,P91, P129, P149	G10104.....	P12, P19, P41, P51,P54, P55, P65, P68,P69, P77, P90, P93,P95, P127, P129,P133, P135, P141,P143, P147, P148,P149, P151, P157	G10148.....	P53
G10020.....	P7, P75	G10105.....	P51, P51, P54, P65,P73, P79, P82, P132,P147, P149, P163	G10152.....	P17
G10021.....	P67	G10106.....	P11, P17, P33, P51,P65, P67, P78, P81,P89, P105, P125,P143, P156, P157	G10157.....	P54, P55, P57
G10022.....	P77, P117	G10107.....	P17, P18, P29, P33,P39, P52, P54, P63,P65, P71, P77, P78,P83, P90, P129, P135,P137, P148, P149	G10159.....	P69, P93, P95
G10023.....	P7, P25, P51,P53, P85, P87	G10108.....	P5, P7, P20, P25,P41, P45, P53, P54,P55, P59, P63, P69,P73, P77, P87, P90,P96, P132, P133, P135,P137, P141, P153, P163	G10168.....	P83, P91
G10025.....	P65	G10109.....	P15, P17, P18, P31,P35, P37, P39, P53,P91, P129, P137	G10169.....	P54, P57
G10026.....	P55, P79, P149	G10110.....	P27, P51, P53,P67, P68, P117, P163	G10171.....	P17, P53, P143
G10027.....	P71	G10111.....	P7, P18, P29, P31,P33, P35, P39, P55,P59, P63, P69, P80,P83, P93, P95, P129,P133, P135, P137,P140, P141	G10172.....	P63, P104, P163
G10028.....	P73	G10112.....	P39, P55, P65	G10194.....	P37
G10031.....	P125	G10118.....	P57	G10201.....	P5, P25, P41, P143
G10033.....	P35, P69	G10128.....	P67, P78, P89	G10203.....	P5, P7, P41,P45, P63, P85, P137
G10036.....	P29, P67, P77, P90	G10130.....	P7, P43, P81,P126, P156, P158,P159, P161	G10204.....	P13, P15, P129, P139
G10037.....	P7, P65, P75,P90, P140	G10131.....	P59, P61, P80,P158, P159, P161	G10205.....	P39, P45, P55, P65,P78, P83, P93, P95,P131, P132, P133, P149
G10038.....	P83			G10206.....	P7, P37, P65, P69,P83, P93, P95,P127, P135, P141
G10039.....	P7, P31, P33,P39, P79, P133			G10207.....	P5
G10040.....	P11			G10209.....	P11, P26, P27, P53,P78, P81, P89, P90,P141, P157, P163
G10043.....	P125			G10210.....	P5, P17, P18, P19,P20, P25, P41, P51,P53, P59, P63, P68,P80, P90, P127, P129,P133, P135, P140, P141,P149, P153, P156, P157
G10045.....	P35, P129			G10211.....	P115
G10046.....	P39, P93,P129, P135			G10213.....	P13, P37, P39, P129
G10047.....	P5, P80, P90, P135,P140, P141, P156			G10216.....	P7, P15, P31,P33, P41, P55, P59,P61, P71, P73,P77, P79, P90,P93, P95, P127,P131, P133, P149
G10049.....	P73, P85, P133, P141			G10217.....	P52, P55, P57,P135, P149
G10053.....	P63, P65, P89			G10218.....	P51, P65, P147
G10054.....	P105			G10219.....	P11, P17, P31, P53,P135, P143, P156,P158, P159, P161
G10061.....	P20			G10220.....	P132
G10062.....	P54			G10221.....	P129
G10063.....	P45			G10226.....	P55, P73, P79,P93, P95, P163
G10064.....	P18, P65, P68, P69,P78, P89, P163			G10227.....	P11, P27, P53, P65,P69, P75, P77, P78,P81, P85, P87, P89,P90, P141, P157
G10068.....	P95				
G10071.....	P7				
G10085.....	P65				
G10096.....	P147				
G10100.....	P73, P133				
G10101.....	P12, P18, P19, P27,P41, P43, P45, P51,P52, P59, P61, P63,P67, P68, P69, P81,P85, P87, P104, P118,P119, P124, P125,P127, P129, P133,P149, P153, P157,P158, P159,P161, P163				

NUMERICAL INDEX

Part No.	Page	Part No.	Page	Part No.	Page
G10228.....	P7, P11, P15, P35, P51, P53, P55, P59, P61, P65, P71, P73, P75, P77, P79, P90, P91, P93, P95, P104, P127, P129, P131, P135, P141, P143, P149, P163	G10322.....	P93, P95, P133	G10501.....	P35, P67, P78, P89
G10229.....	P12, P18, P19, P25, P27, P37, P41, P43, P45, P49, P51, P52, P59, P61, P63, P68, P69, P80, P81, P85, P87, P90, P99, P100, P101, P102, P104, P118, P119, P124, P125, P127, P129, P133, P140, P141, P149, P153, P156, P157, P163	G10323.....	P23	G10503.....	P31, P33, P37, P39, P83, P129, P137
G10230.....	P12, P15, P18, P19, P41, P51, P54, P55, P57, P68, P69, P82, P93, P95, P127, P129, P131, P133, P135, P141, P143, P147, P148, P149, P151, P157, P163	G10325.....	P13, P25	G10504.....	P129
G10231.....	P54, P73, P79, P82, P147, P149	G10326.....	P5	G10507.....	P132
G10232.....	P11, P17, P51, P65, P67, P78, P81, P89, P105, P125, P129, P135, P143, P149, P156, P157	G10328.....	P13, P99, P100, P101, P102	G10509.....	P96
G10233.....	P67, P77, P78, P81, P89, P126, P139, P141, P145, P156	G10330.....	P75	G10523.....	P27
G10234.....	P65	G10336.....	P65	G10526.....	P131
G10235.....	P78, P81, P90	G10338.....	P15, P20	G10527.....	P80
G10237.....	P73, P133	G10339.....	P157	G10529.....	P28
G10243.....	P119, P125	G10342.....	P147	G10535.....	P127
G10253.....	P85	G10345.....	P77	G10536.....	P31, P33, P93, P95
G10257.....	P26, P85	G10348.....	P35	G10542.....	P129
G10260.....	P23	G10350.....	P155	G10543.....	P51, P65
G10278.....	P146, P151	G10371.....	P35	G10544.....	P91
G10284.....	P41	G10374.....	P85, P87	G10546.....	P20, P26, P85, P89
G10292.....	P151	G10395.....	P117	G10551.....	P5
G10303.....	P17, P31, P78, P81, P143, P156, P158, P159, P161	G10396.....	P163	G10560.....	P131
G10305.....	P28, P129	G10400.....	P39	G10567.....	P20, P25, P26
G10306.....	P27, P135, P137, P153	G10403.....	P53	G10570.....	P26
G10307.....	P41	G10404.....	P65	G10572.....	P33
G10308.....	P18, P28	G10408.....	P89	G10574.....	P29, P35, P39
G10309.....	P20	G10409.....	P89	G10581.....	P63, P80, P83
G10310.....	P27	G10409.....	P156	G10583.....	P105
G10312.....	P5, P25, P50, P69, P89	G10412.....	P12, P20, P41, P127	G10585.....	P31, P33, P59, P61
G10315.....	P17, P18, P27	G10419.....	P141	G10587.....	P143
G10318.....	P33, P51	G10427.....	P13, P17	G10588.....	P143
		G10430.....	P78, P89	G10592.....	P133
		G10436.....	P73	G10594.....	P133
		G10437.....	P73	G10595.....	P77, P90
		G10438.....	P5, P131	G10597.....	P31, P33
		G10439.....	P69	G10599.....	P18, P19, P41, P45, P133
		G10441.....	P71	G10602.....	P20, P23, P25, P26, P77, P80, P83, P89, P140, P145
		G10448.....	P75	G10603.....	P23, P137
		G10449.....	P97	G10606.....	P69
		G10450.....	P135	G10610.....	P55, P79, P131
		G10451.....	P129	G10615.....	P151
		G10452.....	P27	G10616.....	P147
		G10453.....	P78	G10619.....	P147, P151
		G10456.....	P41, P131	G10620.....	P5, P15, P20, P25, P50, P69, P131, P139
		G10457.....	P55	G10621.....	P20, P25, P28
		G10459.....	P133	G10622.....	P13, P28
		G10460.....	P69, P73, P79, P93, P95, P143, P145, P148, P163	G10623.....	P147
		G10462.....	P54, P59, P61, P80, P140, P157	G10626.....	P147, P151, P163
		G10463.....	P17, P41, P93, P95	G10630.....	P147
		G10468.....	P59, P61	G10633.....	P147
		G10470.....	P89	G10636.....	P73, P79
		G10478.....	P156	G10640.....	P15, P57, P65, P75, P82, P93, P95, P97, P131, P133, P135, P137, P141, P157, P158, P159, P161
		G10496.....	P81, P85, P87, P90, P127, P141, P157		
		G10497.....	P85		
		G10499.....	P45, P129		

NUMERICAL INDEX

Part No.	Page	Part No.	Page	Part No.	Page
G10641.....	P59, P61, P93, P132, P143, P148	G10876.....	P87	G11075.....	P81, P90, P141, P157
G10643.....	P39	G10887.....	P147, P151	G11078.....	P81, P90, P141, P157
G10647.....	P73	G10888.....	P147	G11081.....	P79
G10655.....	P143	G10889.....	P147	G11083.....	P151
G10660.....	P26	G10890.....	P78	G11100.....	P81, P90, P141, P157
G10669.....	P5	G10894.....	P59, P61	G11122.....	P149
G10670.....	P25, P143	G10900.....	P85	G11124.....	P45
G10672.....	P143, P163	G10907.....	P96, P97	G11133.....	P45
G10674.....	P147, P151	G10908.....	P137	G11145.....	P50
G10676.....	P51, P143, P147	G10912.....	P13, P41	G11147.....	P50
G10681.....	P49, P129, P151, P158, P159, P161	G10913.....	P75	G11158.....	P53
G10686.....	P119, P124, P80, P127, P145	G10917.....	P146, P151	G11159.....	P115
G10689.....	P63, P71	G10918.....	P83	G11166.....	P45
G10693.....	P153	G10921.....	P26	G11169.....	P59
G10718.....	P41, P158, P159	G10923.....	P7, P43, P81, P126, P156	G11172.....	P23
G10718.....	P161	G10924.....	P15	G11173.....	P23
G10722.....	P91	G10927.....	P119, P125	G11182.....	P147
G10724.....	P91	G10928.....	P119, P125	G11188.....	P51
G10725.....	P91	G10931.....	P119, P125	G11194.....	P50
G10730.....	P39	G10938.....	P129	G11202.....	P125
G10732.....	P12, P41	G10939.....	P96	G11209.....	P27
G10743.....	P83	G10940.....	P15	G11210.....	P23
G10751.....	P20, P41	G10953.....	P51	G11213.....	P23
G10752.....	P20, P127	G10958.....	P96, P97	G11215.....	P45
G10756.....	P163	G10961.....	P131, P139	G11220.....	P7
G10757.....	P27, P119, P125	G10962.....	P103	G11222.....	P20
G10758.....	P27, P119, P125	G10968.....	P127	G11223.....	P57
G10765... P37, P39, P54, P85, P87		G10969.....	P103	G11228.....	P37
G10770.....	P98	G10972.....	P96, P99, P100, P101, P102	G11236.....	P37
G10779.....	P57, P71	G10974.....	P37, P39	G11237.....	P151
G10801.....	P17, P18	G10977.....	P105	G11239.....	P43
G10802.....	P54, P73	G10979.....	P95	G11242.....	P67
G10804.....	P85, P87	G10990.....	P99, P100, P101, P102	G11243.....	P7, P43, P117
G10808.....	P73	G10991.....	P135, P153	G11244.....	P117
G10809.....	P45, P49	G10992.....	P11	G11247.....	P11
G10810.....	P73	G10995.....	P151	G11258.....	P107
G10811.....	P73	G10996.....	P85, P87, P108, P115	G11284.....	P5
G10826.....	P163	G11007.....	P5	G11295.....	P7, P43
G10827.....	P103	G11008.....	P5	G11296.....	P7, P43
G10828.....	P65	G11009.....	P23	G11298.....	P5
G10830.....	P51, P137, P148	G11010.....	P39	G1K215.....	P131
G10844.....	P91	G11015.....	P5	G1K248.....	P9, P115, P119, P125
G10857.....	P89	G11016.....	P98	G1K249.....	P119
G10859.....	P85, P87	G11018.....	P7	G1K252.....	P9, P115, P119, P125
G10860.....	P77, P80, P83	G11034.....	P137	G1K267.....	P9, P115, P119
G10862.....	P133	G11042.....	P149	G1K268.....	P9, P45, P115, P119
G10864.....	P27	G11053.....	P71	G1K269.....	P81, P127, P157
G10870.....	P77, P80, P83	G11058.....	P55	G1K274.....	P108
G10871.....	P104, P135	G11065.....	P106, P125	G1K275.....	P108
G10872.....	P87	G11066.....	P11, P105	G1K296.....	P15
G10873.....	P87	G11067.....	P105	G1K320.....	P9, P115, P119
G10874.....	P69	G11068.....	P106	G1K321.....	P9, P115, P119
		G11073.....	P26	G1K322.....	P119
				G1K323.....	P118
				G1K324.....	P78

NUMERICAL INDEX

Part No.	Page	Part No.	Page	Part No.	Page
G1K331	P127	G4205-10	P151	G7100-215	P167
G1K345	P18	G4205-11	P146	G7100-217	P167
G1K362	P119, P125	G4301-05	P151, P158,	G7100-219	P167
G1K363	P119, P125		P159, P161	G7100-234	P167
G1K364	P119	G4301-06	P151, P159	G7100-245	P167
G1K378	P141, P157	G6325X	P12	G7100-247	P167
G1K379	P141, P157	G6400-06	P48, P49, P106	G7100-249	P167
G1K380	P81, P90	G6400-06-08	P111	G7100-252	P167
G1K381	P81, P90	G6400-08	P104, P105,	G7100-258	P167
G1K385	P27		P106, P111, P112	G7100-259	P167
G1K412	P55	G6400-08-04	P99, P100, P101,	G7100-260	P167
G1K426	P48		P102, P112	G7100-261	P167
G1K467	P37	G6400-08-10	P105	G7100-262	P167
G2100-03	P67, P81, P89, P157	G6400-10	P49, P53,	G7100-263	P167
G2406-10-08	P112		P105, P106	G7100-295	P167
G2500-84	P149	G6400-10-08	P104	G7100-301	P167
G2501-12-16	P53	G6400-12	P49, P53	G7100-302	P167
G2501-16-20	P53	G6400-L-08	P113	G7100-311	P167
G2603-08	P112	G6408-06	P49	G7100-329	P167
G2700-06-06	P47	G6408-08	P105	G7100-338	P167
G2700-08	P99, P100,	G6408-10	P105	G7100-339	P167
	P101, P102, P111	G6408-12	P49	G7100-42	P167
G2700-10	P47, P111	G6408-H02-0	P96, P105,	G7100-46	P167
G2700-12	P47		P106, P107	G7100-49	P167
G2703-08-08-10	P112	G6500-06	P48, P106, P113	G7100-63	P167
G306-06	P47	G6500-12	P53	G7100-68	P167
G306-08	P73, P99,	G6502-06	P111	G7100-75	P167
	P100, P101, P102	G6502-12	P53	G7100-83	P167
G306-10	P47, P73	G6801-06	P106	G7100-89	P167
G306-12	P47	G6801-06-08	P111	G7100-90	P167
G3200-63	P149	G6801-08	P105, P106, P112	G7100-92	P167
G3302-09	P52	G6801-08-10	P105	G7566X	P19
G3303-108	P5, P26	G6801-10	P53	G7633X	P115
G3303-16	P5	G6801-10-08	P107	G7639X	P115
G3303-96	P41	G6801-10-12	P48, P52	G7698X	P69
G3305-01	P28	G6801-12	P48	GA0167	P91
G3305-03	P163	G6801-12-10	P53, P107	GA0237	P132
G3310-100	P83, P89	G6801-16	P52	GA0241	P148
G3310-114	P78	G6801-L-08	P105	GA0243	P91
G3310-118	P78	G6804-12	P53	GA0245	P91
G3310-126	P78	G6804-12-12-08	P53	GA0251	P149
G3310-130	P141	G7100-02	P167	GA0252	P149
G3310-170	P157	G7100-110	P167	GA0257	P91
G3310-226	P127	G7100-111	P167	GA0262	P149
G3310-74	P89	G7100-115	P167	GA0312	P129
G3310-80	P80	G7100-116	P167	GA0328	P129
G3310-84	P67	G7100-117	P167	GA0378	P78
G3310-88	P140	G7100-123	P167	GA0547	P149
G3317-16	P67	G7100-153	P167	GA0810	P129
G3400-01	P67, P81,	G7100-177	P167	GA0895	P79
	P89, P157, P163	G7100-192	P167	GA0898	P143
G4200-03	P147	G7100-200	P167	GA0899	P91
G4200-06	P147	G7100-201	P167	GA10036	P139
G4201-02	P147	G7100-208	P167	GA10037	P139
G4201-03	P147	G7100-214	P167	GA10047	P135

NUMERICAL INDEX

Part No.	Page	Part No.	Page	Part No.	Page
GA10048	P135	GA11911	P23	GA12565	P67, P121, P123
GA10054	P85	GA11934	P49	GA12568	P121, P123
GA10137	P20	GA11935	P23	GA12569	P67
GA10149	P48	GA11969	P41	GA12596	P121, P123
GA10155	P20	GA11971	P41	GA12598	P121, P123
GA10157	P5	GA11982	P7	GA12626	P11
GA10161	P41	GA11987	P45	GA12630	P43
GA10621	P148	GA11988	P11	GA12636	P119, P125
GA10622	P148	GA11991	P11	GA12641	P125
GA10624	P148	GA11992	P11	GA12650	P119, P125
GA10634	P21	GA11993	P11	GA12655	P121, P123
GA10635	P45	GA11994	P11	GA12661	P67
GA10755	P23	GA11995	P11	GA12684	P9
GA10765	P45	GA11997	P11	GA12802	P53
GA10799	P45	GA12102	P11	GA12812	P9
GA10832	P80	GA12104	P11	GA12813	P9
GA10894	P149	GA12108	P135	GA12814	P9
GA10907	P149	GA12109	P135	GA12815	P9
GA10908	P149	GA12133	P23	GA12852	P121, P123
GA10917	P53	GA12143	P20	GA12853	P123
GA10918	P53	GA12144	P20	GA12858	P9
GA10919	P52	GA12154	P23	GA12861	P117
GA10924	P115	GA12163	P57	GA12865	P117
GA11039	P119	GA12164	P57	GA12866	P117
GA11079	P57	GA12165	P57	GA12868	P121, P123
GA11082	P57	GA12191	P77	GA12901	P113
GA11083	P57	GA12192	P77, P141	GA13078	P109
GA11085	P45	GA12235	P37, P39	GA13169	P11
GA11086	P45	GA12236	P35, P37, P39	GA13204	P75, P121, P123
GA11087	P45	GA12249	P50	GA13214	P75
GA11119	P51	GA12256	P37	GA13220	P107
GA11152	P51	GA12259	P50	GA13221	P107
GA11153	P51	GA12335	P153	GA13222	P107
GA11154	P45	GA12358	P11	GA13223	P107
GA11155	P45	GA12403	P119	GA13224	P107
GA11156	P45	GA12404	P11	GA13227	P75
GA11159	P45	GA12405	P7	GA13335	P79
GA11160	P45	GA12536	P123	GA13512	P11
GA11164	P50	GA12537	P121, P123	GA13554	P121
GA11166	P51	GA12538	P125	GA13580	P5, P121, P123
GA11200	P73	GA12539	P121, P123	GA13593	P5
GA11203	P51	GA12540	P121, P123	GA1369	P129
GA11331	P67	GA12551	P121, P123	GA1676	P91
GA11520	P29	GA12552	P123	GA1677	P91
GA11523	P53	GA12553	P123	GA1678	P91
GA11528	P55	GA12554	P117	GA1679	P91
GA11544	P53	GA12555	P121, P123	GA1720	P12, P41
GA11568	P95	GA12556	P121, P123	GA2007	P20
GA11569	P95	GA12557	P125	GA2012L	P13
GA11590	P93	GA12558	P121, P123	GA2012R	P13
GA11699	P45	GA12559	P121, P123	GA2014	P13, P17, P33, P35, P37, P39, P129, P137
GA11766	P93	GA12560	P121, P123	GA2054	P17
GA11767	P93	GA12562	P121, P123	GA2068	P77
GA11768	P95	GA12563	P125	GA2075	P27
GA11769	P95	GA12564	P121, P123		

NUMERICAL INDEX

Part No.	Page	Part No.	Page	Part No.	Page
GA2094	P28	GA5164	P78	GA6838	P35
GA2148	P79	GA5165	P78	GA6907	P27
GA2180	P43, P67, P81, P126	GA5192	P93	GA6928	P65
GA2528	P115	GA5194	P83, P157	GA6929	P65
GA2559	P149	GA5195	P157	GA6943	P65
GA2612	P115	GA5229	P141	GA6960	P163
GA2660	P147	GA5385	P115	GA6961	P163
GA2908	P79	GA5548	P81	GA6964	P71
GA3407	P108	GA5600	P118, P125	GA6966	P135
GA3413	P108	GA5624	P140	GA6975	P115
GA3552	P78	GA5651	P12	GA6977	P115
GA3553	P78	GA5654	P33, P35, P37, P39, P137	GA6978	P9, P115
GA3584	P114	GA5667	P143	GA7013	P63
GA3893	P151	GA5671	P141	GA7016	P54
GA4286	P132	GA5672	P141	GA7018	P69
GA4287	P132	GA5698	P23	GA7019	P69
GA4293	P49, P109	GA5715	P31, P33	GA7021	P63
GA4353	P93	GA5716	P75	GA7022	P54, P73
GA4376	P79	GA5718	P33	GA7029	P55
GA4377	P79	GA5719	P31, P33	GA7042	P93
GA4402	P55	GA5787	P41	GA7043	P95
GA4418	P55	GA5842	P55	GA7049	P63
GA4444	P25	GA5853	P91	GA7050	P63
GA4617	P157	GA5887	P132	GA7051	P81, P127, P145
GA4618	P157	GA5892	P31	GA7052	P81, P126, P145
GA4619	P157	GA6108	P115	GA7053	P81, P126
GA4620	P157	GA6109	P115	GA7057	P63
GA4722	P75	GA6147	P119, P125	GA7058	P63
GA4723	P75	GA6171	P15, P17, P18, P131, P139	GA7067	P71
GA4727	P75	GA6337	P140	GA7074	P63
GA4729	P75	GA6434	P18	GA7075	P63
GA4842	P55	GA6436	P143	GA7077	P115
GA4845	P55	GA6437	P143	GA7083	P55
GA4877	P95	GA6497	P65	GA7084	P55
GA4976	P147, P163	GA6503	P143	GA7085	P55
GA4994	P54	GA6514	P157	GA7096	P71
GA4995	P54	GA6515	P157	GA7098	P73
GA5105	P67, P80, P89, P140, P157	GA6527	P151	GA7108	P82
GA5106	P80, P89, P157	GA6597	P18	GA7110	P85
GA5107	P80, P81, P127, P140, P157	GA6608	P73	GA7111	P85
GA5108	P67, P80, P89, P157	GA6618	P17	GA7118	P95
GA5109	P80, P89, P157	GA6619	P17	GA7120	P73
GA5110	P80, P89	GA6620	P17	GA7129	P141
GA5111	P80, P89	GA6699	P114	GA7130	P141
GA5112	P80, P89	GA6700	P114	GA7133	P147
GA5113	P77, P80, P83, P89	GA6701	P115	GA7135	P129
GA5114	P77, P80, P140, P141, P157	GA6733	P17	GA7137	P85
GA5115	P140	GA6741	P27	GA7146	P145
GA5116	P141	GA6792	P68	GA7154	P67, P78, P83, P89, P127
GA5121	P71, P77	GA6801	P17	GA7208	P163
GA5130	P93	GA6832	P35	GA7209	P163
GA5146	P157	GA6833	P35	GA7221	P96
		GA6834	P35	GA7239	P133
				GA7240	P133

NUMERICAL INDEX

Part No.	Page	Part No.	Page	Part No.	Page
GA7274	P87	GA8306	P131	GA9096	P114
GA7306	P89	GA8320	P97	GA9097	P105
GA7313	P90	GA8322	P18	GA9098	P106
GA7317	P89	GA8324	P13	GA9105	P41
GA7319	P89	GA8326	P26	GA9112	P115
GA7320	P89	GA8328	P9, P45	GA9113	P115
GA7321	P89	GA8329	P9, P45	GA9131	P39
GA7336	P80, P90, P140, P156	GA8364	P26	GA9144	P119
GA7372	P78	GA8371	P25	GA9195	P129
GA7390	P65	GA8393	P85, P87	GA9201	P115
GA7396	P141	GA8483	P129	GA9202	P115
GA7399	P115	GA8603	P29, P39, P135	GA9203	P115
GA7412	P37	GA8641	P29, P39	GA9204	P115
GA7423	P59, P61	GA8651	P41	GA9205	P98
GA7424	P59, P61	GA8677	P79	GA9407	P155
GA7433	P54	GA8685	P129	GA9433	P135
GA7434	P75, P79	GA8688	P133	GA9434	P135
GA7445	P137	GA8689	P133	GA9437	P135
GA7446	P137	GA8690	P158	GA9472	P139
GA7463	P87	GA8691	P159	GA9479	P85, P87
GA7533	P55	GA8692	P161	GA9480	P85, P87
GA7540	P71	GA8729	P115	GA9481	P115
GA7579	P65	GA8731	P115	GA9482	P85, P87
GA7845	P147	GA8734	P115	GA9483	P85, P87
GA7850	P119, P125	GA8735	P115	GA9490	P85
GA7851	P119, P125	GA8760	P37	GA9544	P75
GA7852	P119, P125	GA8845	P129	GA9545	P75
GA7854	P119	GA8857	P100	GA9553	P67, P78
GA7855	P119	GA8858	P100	GA9554	P78
GA7856	P9, P45, P115, P119	GA8859	P101	GA9557	P83
GA7857	P119	GA8861	P101	GA9558	P83
GA7858	P118	GA8862	P101	GA9559	P98
GA7859	P119, P125	GA8863	P102	GA9565	P135
GA7862	P115	GA8865	P102	GA9571	P87
GA7863	P115	GA8866	P102	GA9572	P87
GA7949	P15	GA8867	P99	GA9689	P115
GA7975	P15	GA8870	P99	GA9821	P135
GA7976	P15	GA8871	P103	GA9822	P135
GA7997	P79	GA8874	P97	GA9836	P54
GA7998	P137	GA8877	P131, P139	GA9837	P54
GA7999	P137	GA8893	P100	GA9840	P69
GA8022	P119	GA8895	P103	GA9843	P78
GA8026	P118	GA8898	P103	GA9844	P39
GA8046	P119, P125	GA8899	P103	GA9845	P39
GA8047	P115, P119, P125	GA8904	P96	GA9846	P78
GA8062	P73	GA8908	P96	GA9861	P39
GA8063	P73	GA8909	P97	GA9862	P39
GA8070	P82	GA8931	P155	GA9864	P39
GA8071	P82	GA8978	P100	GA9865	P39
GA8092	P127	GA8979	P101	GA9882	P73
GA8149	P96	GA8980	P102	GA9883	P73
GA8157	P97	GA8981	P99	GA9905	P146
GA8170	P93, P95	GA8983	P129, P133, P135	GA9918	P89
GA8286	P113	GA9088	P93, P95	GA9963	P117
GA8305	P131	GA9095	P105	GA9964	P9

NUMERICAL INDEX

Part No.	Page	Part No.	Page	Part No.	Page
GA9964	P45	GB0395	P7	GD10064	P73
GA9978	P119, P125	GB0396	P7	GD10068	P85, P87
GA9979	P119, P125	GB0397	P7	GD10069	P85, P87
GB0115	P26	GB0398	P7	GD10070	P85
GB0116	P26	GB0400	P135	GD10071	P85
GB0134	P129	GB0401	P37	GD10092	P73
GB0186	P12	GB0405	P135	GD10099	P78
GB0196	P149	GB0409	P65	GD10100	P80
GB0198	P143	GD0453-03	P95	GD10102	P85
GB0199	P143	GD0453-04	P93	GD10103	P85, P87
GB0200	P143	GD0453-07	P93	GD10104	P85
GB0205	P132	GD0453-08	P93	GD10109	P145
GB0206	P133, P163	GD0453-09	P95	GD10110	P147
GB0209	P133	GD0487	P129	GD10119	P141
GB0210	P133	GD0652	P95	GD10120	P87
GB0212	P131	GD0740	P104	GD10123	P85, P87
GB0213	P39, P132, P163	GD0746	P91	GD10126	P145
GB0218	P12, P20, P39, P41, P54, P63, P78, P132, P148, P163	GD0752-41	P93	GD10128	P79
GB0237	P54	GD0829	P163	GD10144	P79
GB0239	P17, P18	GD0831	P149	GD10196	P163
GB0246	P59, P61	GD0840	P91	GD10207	P103
GB0254	P18	GD0844	P149	GD10211	P96
GB0265	P5	GD0914-106.5	P81	GD10231	P73
GB0266	P5	GD0914-124	P126	GD10242	P133
GB0267	P5	GD0914-138	P126	GD10243	P115
GB0268	P17, P18	GD0914-166.75	P81	GD1026	P5, P25, P41, P80, P90, P135, P140, P141, P156
GB0274	P5	GD0914-24	P126	GD10273	P133
GB0276	P15	GD0914-33	P126	GD10282	P87
GB0278	P20, P26	GD0914-35	P81	GD10283	P91
GB0282	P18	GD0914-44	P81	GD10295	P63
GB0285	P5	GD0914-45	P81	GD10298	P77
GB0287	P80	GD0914-48	P126	GD10303	P133
GB0292	P55	GD0914-49	P126	GD10304	P133
GB0296	P135	GD0914-53	P81	GD1033	P5
GB0301	P13, P41	GD0914-54.75	P67	GD10355	P89
GB0309	P69	GD0914-55	P126	GD10356	P89
GB0314	P20, P41	GD0914-58.5	P81	GD10366	P89
GB0319	P23	GD0914-66	P126	GD10446	P71
GB0322	P135	GD0914-84	P126	GD10447	P71
GB0323	P135	GD0914-90	P126	GD10473	P13, P17
GB0328	P23	GD0962	P129	GD10487	P133
GB0331	P20	GD10006	P65	GD10492	P65
GB0358	P23	GD10007	P83	GD10510	P85, P87
GB0366	P12	GD10011	P71	GD10519	P37, P39
GB0383	P37	GD10012	P71	GD10530	P59, P61
GB0386	P39	GD10013	P71	GD10531	P65
GB0387	P35, P37	GD10014	P71	GD10532	P65
GB0389	P7	GD10036	P12	GD10538-01	P59, P61
GB0390	P7	GD10049	P69	GD10543	P77, P85, P89
GB0391	P7	GD10053	P65	GD10552	P137
GB0392	P7	GD10057-01	P167	GD10578	P87
GB0393	P7	GD10057-02	P167	GD10579	P87
GB0394	P7	GD10057-03	P167	GD10584	P87
		GD10057-04	P167		
		GD10063	P71		

NUMERICAL INDEX

Part No.	Page	Part No.	Page	Part No.	Page
GD10585	P87	GD11253	P96, P97	GD11986	P103
GD10586	P87	GD11259	P5, P13	GD11988	P96
GD10587	P87	GD11263	P41	GD11991	P96
GD10588	P87	GD11264	P41	GD11992	P96
GD1059L	P25	GD11265	P137	GD11993	P119, P125
GD1059R	P25	GD11266	P137	GD11994	P97
GD1060	P25	GD11279	P21	GD11995	P97
GD1061	P26	GD11297	P26	GD1200	P143
GD1063	P26	GD11305	P25	GD1207	P143
GD10635	P87	GD11306	P13, P129	GD12070	P107
GD10636	P87	GD11313	P19	GD1209	P143
GD10638	P87	GD1132	P33, P35, P37, P39, P129, P137	GD1210	P143
GD10646	P55	GD1134	P141, P143, P157	GD1213	P143
GD1065	P5	GD1138	P129	GD12543	P73, P79
GD10650	P59	GD11413	P20, P26	GD1255	P78, P89
GD10664	P59	GD11422	P12	GD1256	P78
GD10706	P65	GD11423	P15, P131, P139	GD12597	P99, P100, P101, P102
GD10707	P65	GD11424	P25	GD12676	P135
GD10773	P145	GD1143	P28	GD12677	P135
GD10777	P147	GD1144	P28	GD12679	P135
GD10792	P93	GD11447	P41	GD12684	P137
GD10793	P95	GD1145	P28	GD12685	P135
GD1085	P18	GD11453	P15	GD12703	P69
GD1086	P15	GD11474	P119, P125	GD12724	P69
GD10867	P5, P41	GD11490	P79	GD12726	P87, P114
GD10936	P96	GD11508	P19	GD12817	P39
GD10963	P27	GD11509	P19	GD12818	P106
GD10984	P27	GD11557	P135	GD12826	P39
GD10991	P15	GD11558	P135	GD12827	P39
GD10993	P5	GD1162	P167	GD12829	P39
GD11001	P5	GD11649	P41	GD13146	P105
GD11017	P13	GD11652	P29, P39	GD13170	P98
GD1104	P132	GD1166	P148	GD13171	P98
GD11045	P7, P43, P81, P126, P156	GD11677	P29	GD13172	P98
GD11089	P115, P119, P125	GD11695	P79	GD13173	P98
GD1109	P17, P18	GD11700	P49, P151	GD13287	P135
GD11120	P85, P87	GD11705	P129	GD13309	P139
GD1113	P12, P68, P127, P129, P133, P135, P147, P151, P157	GD11721	P51	GD13310	P115
GD1115L	P27	GD11791	P95	GD13328	P149
GD1115R	P27	GD11836	P137	GD13348	P115
GD1116	P27	GD11845	P5, P13, P17	GD13359	P95
GD11169	P119	GD11951	P96	GD13360	P93
GD11170	P119	GD11953	P131, P139	GD13361	P5
GD11178	P137	GD11954	P131, P139	GD1337	P147
GD1118	P27	GD11962	P5, P25, P41	GD13400	P98
GD11188	P137	GD11963-04	P7	GD13401	P79
GD11193	P96, P97	GD11970	P99, P100, P101, P102	GD13409	P75
GD11194	P97	GD11972	P127	GD13422	P67
GD11218	P41	GD11973	P127	GD13425	P98
GD11219	P25	GD11983	P103	GD13524-01	P85
GD11239	P20, P25, P26	GD11984	P99, P100, P101, P102	GD13543	P59, P61
GD11240	P26	GD11985	P103	GD13544	P59, P61
				GD13545	P59, P61
				GD13744	P149

NUMERICAL INDEX

Part No.	Page	Part No.	Page	Part No.	Page
GD1379	P143	GD16036	P52	GD17156	P11
GD1380	P143	GD16037	P53	GD17162	P23
GD14121	P55	GD16038	P53	GD17186	P23
GD14170	P39	GD16040	P53	GD17187	P23
GD14217	P12	GD16046	P115	GD1719	P127
GD14258	P9, P45	GD16188	P49	GD17192	P20
GD14398	P29	GD16194-01	P51	GD17245	P57
GD14413	P81, P90, P141, P157	GD16226	P57	GD1747	P82
GD14414	P81, P90, P141, P157	GD16233	P45	GD17794	P7
GD14426	P81, P90	GD16241	P45	GD18010	P9, P11
GD14427	P141, P157	GD16245	P5	GD18011	P11
GD14431	P81, P90, P141, P157	GD16251	P51	GD18013	P125
GD14432	P81, P90, P141, P157	GD16295	P51	GD18014	P67
GD14467	P23	GD16303	P57	GD18066	P127
GD14468	P23	GD16305	P51	GD18067	P127
GD14477	P23	GD16306	P51	GD18073	P41
GD14512	P85	GD16307	P51	GD18074	P41
GD14513	P85, P87	GD16315	P51	GD18078	P11
GD14541	P23	GD16316	P51	GD18085	P117
GD14562	P57	GD16317-01	P50	GD18094	P127
GD14592	P23	GD16319	P51	GD18095	P23
GD14626	P51	GD16324-01	P45	GD18098	P23
GD14659	P27	GD16359	P51	GD18112	P11
GD14660	P9, P45	GD16360	P51	GD18114	P67
GD14674	P31, P33	GD16489	P67	GD18115	P67
GD15100	P57	GD16490	P67	GD18118	P119, P124
GD1512	P167	GD1657	P129	GD18119	P11
GD1514	P163	GD16608	P53	GD18168	P119, P124
GD1515	P163	GD16642	P55	GD18176	P121, P123
GD1516	P163	GD16644	P53	GD18177	P121, P123
GD1517	P163	GD1673	P129	GD18274	P11
GD1520	P146	GD1701	P95	GD18275	P9
GD15663	P23	GD17014	P5	GD18326	P67
GD15700	P23	GD17021	P23	GD18329	P65
GD15725	P57	GD17028	P23	GD18344	P65
GD15747	P20	GD17047	P23	GD18389	P117
GD15789	P45	GD17048	P23	GD18395	P117
GD15790	P45	GD17049	P23	GD18398	P117
GD15792-05	P51	GD17050	P23	GD18407	P121, P123
GD15792-06	P51	GD17099	P23	GD18408	P121, P123
GD15792-12	P51	GD17104	P23	GD18437	P117
GD15792-13	P51	GD17141	P11	GD1862	P147
GD15799	P50	GD17143	P11	GD18643	P75
GD15803	P45	GD17150-02	P11	GD18645	P73
GD15804	P45	GD17150-03	P11	GD18646	P75
GD15849-02	P45	GD17150-04	P11	GD18672	P107
GD15850	P50	GD17150-08	P11	GD18676	P75
GD15854	P50	GD17150-09	P11	GD18796	P9
GD15856-03	P50	GD17150-12	P11	GD18891	P7, P43
GD15856-04	P50	GD17151-01	P7	GD1908	P69
GD15863	P45	GD17151-02	P7	GD19237	P11
GD15867-02	P51	GD17151-05	P117	GD19238	P11
GD15950	P69	GD17151-06	P9	GD19317	P5
GD16035	P52	GD17152	P23	GD19343	P81, P90, P141, P157
		GD17154	P11		

NUMERICAL INDEX

Part No.	Page	Part No.	Page	Part No.	Page
GD19344	P81, P90, P141, P157	GD5212	P78, P80	GD7904-02	P65, P133
GD2115	P163	GD5789	P78	GD7907	P133, P163
GD2117	P167	GD5790	P78	GD7908	P132, P163
GD2161	P93	GD5804	P55, P59, P61	GD7911	P131
GD2169	P71, P73	GD5841	P79	GD7912	P133
GD2199	P77, P167	GD5857	P35, P54, P67, P77, P80, P83, P89, P119, P141, P156	GD7962	P132, P137
GD2412	P143	GD5875	P69	GD8066-02	P105
GD2423	P27	GD5886	P145	GD8188	P55, P59, P63, P65
GD2460	P28	GD5892	P55	GD8189	P55, P63, P65
GD2548-13.5	P145	GD6136	P69	GD8218	P131
GD2548-15.5	P145	GD6279-05	P49	GD8224	P133
GD2548-24.5	P145	GD6291	P115, P118, P125	GD8238	P132
GD2548-48	P156	GD6553	P132	GD8239	P133
GD2548-54	P156	GD6556	P55	GD8247	P132
GD2557	P55	GD6775	P78	GD8249	P12
GD2558	P55, P73, P77, P80, P90, P141, P149, P157	GD6780	P80	GD8260	P54
GD2589	P129	GD6895	P78	GD8266	P31
GD2597	P91	GD6924	P157	GD8276	P73, P133
GD2681	P148	GD7079	P75	GD8306	P127
GD2721	P93, P95, P163	GD7089	P75	GD8307	P33
GD2734-08	P141, P157	GD7127	P80, P140, P157	GD8308	P131
GD2829	P115	GD7137	P55	GD8460	P18
GD2947	P27	GD7147	P99, P100, P101, P102	GD8722	P143
GD2971-09	P54	GD7148	P26	GD8739	P114
GD2971-10	P25	GD7251	P55	GD8740	P114
GD2971-17	P125	GD7258	P26	GD8741	P114
GD2984	P167	GD7318	P5	GD8751	P118, P125
GD3180-10	P141	GD7363-01	P65	GD8770	P118, P125
GD3180-12	P17	GD7426	P80, P90, P140, P141, P156	GD8771	P118, P125
GD3180-27	P51	GD7518	P55	GD8893-01	P41
GD3180-30	P7	GD7519	P55	GD9107	P158, P159
GD3501	P55	GD7612	P81	GD9108	P161
GD3537-11	P59, P61	GD7803	P29, P39	GD9109	P158, P159, P161
GD3537-12	P59, P61	GD7804	P29, P39	GD9120	P18
GD3537-17	P59, P61	GD7805	P7, P12, P18, P20, P33, P41, P54, P63, P65, P78, P93, P95, P127, P137, P139, P148, P149, P163	GD9130	P71
GD3537-18	P59, P61	GD7817-01	P33	GD9131	P143
GD3547	P163	GD7817-04	P33, P137	GD9132	P143
GD3612	P5	GD7817-05	P149	GD9254	P29, P39
GD3622	P147	GD7823	P33	GD9290	P17
GD3623	P147	GD7831	P149	GD9305	P17
GD3777-10	P51	GD7848	P143	GD9529	P87, P108, P114
GD3777-11	P51	GD7864	P75	GD9530	P87, P108, P114
GD3790	P143	GD7866	P140	GD9533	P105
GD3860	P115	GD7867	P145	GD9562	P17
GD3951	P147	GD7883	P59, P61	GD9636	P71
GD4086	P47, P111, P113	GD7889	P31, P33, P83	GD9667	P85
GD4108	P69	GD7890	P31, P33	GD9671	P85, P87
GD4700	P78	GD7900	P132	GD9672	P85, P87
GD4701	P78			GD9681	P68
GD4743	P11, P67, P93, P95			GD9695	P41
GD4887-14	P80			GD9705	P131
GD5154	P55, P59, P61			GD9706	P131
GD5173	P54, P59, P61			GD9709	P131
				GD9715	P35
				GD9720	P35

NUMERICAL INDEX

Part No.	Page	Part No.	Page	Part No.	Page
GD9724	P35, P37, P39, P137	GR0281	P161	GR1295	P81, P127, P145
GD9870	P65	GR0282	P161	GR1296	P81, P127, P145
GD9896	P115	GR0283	P161	GR1297	P81, P126, P145
GD9898	P65	GR0284	P161	GR1298	P81, P126
GD9905	P106	GR0375	P71	GR1299	P145
GD9952	P63	GR0434	P79	GR1301	P81, P127, P145
GD9953	P55	GR0508	P146	GR1303	P85, P87
GD9955	P69	GR0513	P146	GR1304	P85, P87
GD9956	P69	GR0515	P54	GR1305	P85, P87
GD9959	P55, P59, P61	GR0516	P54	GR1306	P85, P87
GD9960	P55	GR0517	P54	GR1363	P9, P115
GD9963	P69	GR0528	P75	GR1364	P9, P115
GD9964	P69	GR0586	P119	GR1397	P146
GD9968	P65	GR0594	P119, P125	GR1405	P127
GD9969	P77	GR0761	P108	GR1406	P127
GD9971	P104	GR0763	P108	GR1407	P127
GD9977	P105	GR0764	P108, P109	GR1408	P127
GD9981	P93, P95	GR0880	P151	GR1409	P127
GM0224	P167	GR0881	P151	GR1410	P127
GR0146MPP	P167	GR0882	P151	GR1411	P127
GR0150	P91	GR0883	P151	GR1412	P127
GR0151	P91	GR0912	P67, P78, P80, P83, P89, P127, P140, P141, P157	GR1413	P127
GR0155MPP	P167	GR1015	P147, P163	GR1414	P119, P124
GR0188	P132	GR1016	P147, P163	GR1415	P119, P124
GR0190	P149	GR1017	P147, P163	GR1417	P97
GR0193	P71	GR1018	P147, P163	GR1428	P96
GR0195	P149	GR1019	P147, P163	GR1465	P96, P99, P100, P101, P102, P112
GR0196	P5, P26, P41	GR1037	P104, P105, P106, P111, P112, P113	GR1466	P49, P53, P105, P106, P107
GR0200	P149	GR1045	P48, P49, P105, P106	GR1467	P48, P49, P52, P53
GR0204	P149	GR1104	P153	GR1484	P158, P159
GR0207	P158, P159, P161	GR1112	P153	GR1485	P161
GR0208	P158, P159	GR1116	P153	GR1519	P99, P100, P101, P102
GR0209	P158	GR1118	P153	GR1521	P103
GR0211	P158, P159, P161	GR1120	P153	GR1522	P103
GR0212	P158, P159, P161	GR1122	P149	GR1523	P97
GR0213	P158, P159	GR1123	P153	GR1524	P96
GR0214	P158, P159, P161	GR1124	P153	GR1533	P155
GR0215	P158, P159, P161	GR1134	P153	GR1535	P155
GR0216	P158, P159	GR1146	P149, P153	GR1540	P155
GR0217	P158, P159, P161	GR1203	P114	GR1541	P155
GR0221	P161	GR1204	P114, P115	GR1542	P155
GR0222	P161	GR1205	P114	GR1543	P153, P155
GR0223	P158	GR1206	P114, P115	GR1544	P155
GR0225	P158, P159, P161	GR1207	P114, P115	GR1545	P155
GR0226	P158, P159, P161	GR1208	P114, P115	GR1557	P81, P126, P127, P145
GR0227	P158	GR1290	P115	GR1559	P155
GR0228	P158, P159	GR1292	P115	GR1561	P155
GR0229	P159, P161	GR1293	P81, P126, P127, P145	GR1566	P155
GR0231	P159, P161	GR1294	P81, P126, P127, P145	GR1567	P155
GR0232	P158, P159, P161			GR1568	P155
GR0233	P159			GR1570MPP	P167
GR0267	P149			GR1574	P155
GR0270	P79			GR1577	P158, P159, P161
GR0279	P161				
GR0280	P161				

NUMERICAL INDEX

Part No.	Page	Part No.	Page	Part No.	Page
GR1598	P98				
GR1626	P159, P161				
GR1635	P105, P106				
GR1678	P146				
GR1734	P48				
GR1736	P45				
GR1737	P119, P125				
GR1762	P119				
GR1764	P119				
GR1777	P45				
GR1778	P11				
GR1786	P52				
GR1790	P67				
GR1796	P153				
GR1798	P153				
GR1800	P153				
GR1801	P153				
GR1803	P153				
GR1804	P153				
GR1805	P153				
GR1806	P153				
GR1808	P153				
GR1809	P11				
GR1812	P7				
GR1813	P7, P43				
GR1815	P7				
GR1818	P7, P43				
GR1819	P7, P43				
GR1828	P167				
GR1829	P43				
GR1830	P7, P43				
GR1831	P43				
GR1834	P53				
GR1835	P121, P123				
GR1836	P121, P123				
GR1837	P123				
GR1838	P121, P123				
GR1839	P121, P123				
GR1843	P11				
GR1847	P107				
GR1894	P7, P43				
GR1895	P7, P43				
GR1896	P7, P43				
GR1898	P7, P43				
GR1899	P43				
GR1916	P121				